



# INSTALLATION MANUAL

## CORNER WITH TURN SIGNAL

### Level of Difficulty

Moderate

This is the second of two manuals required to complete this installation. The first manual is included with your center section.

### Parts List

1	Driver / left corner
1	Passenger / right corner
1	Driver / left cover plate
1	Passenger / right cover plate
1	Driver / left ext. bracket, inner
1	Driver / left ext. bracket, outer
1	Passenger / right ext. bracket, inner
1	Passenger / right ext. bracket, outer
4	Clip nut, M4
20	Button head bolt, M4
20	Flat washer, M4
20	Lock washer, M4
6	Hex bolt, M10
6	Hex nut, M10
6	Flat washer, M10
6	Lock washer, M10
2	Wiring harness extension
1	Weather seal trim

### Tools Required

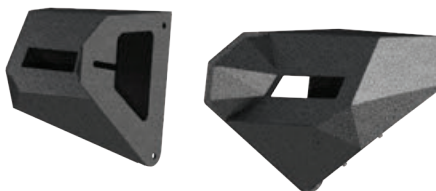
Allen wrench set	Wrench set
Socket set	Torques driver
Ratchet	Utility knife

### Torque Specifications

M6 bolt	7 ft-lbs.
M8 bolt	16 ft-lbs.
M10 bolt	33 ft-lbs.
M12 bolt	58 ft-lbs.

Use above torque setting unless otherwise noted

### Product Photo



### Applicable to the Following Part Numbers

2081209

2081208

### Notes and Maintenance

Before you begin installation, read all instructions thoroughly.

Proper tools will improve the quality of installation and reduce the time required.

Mild automotive detergent may be used to clean the product. Do not use dish detergent, abrasive cleaners, abrasive pads, wire brushes or other similar products that may damage the finish.

Refer to the table to the left when securing hardware during the installation process to help prevent damage to the product or vehicle.

### Product Registration

CURT Group stands behind our products with industry leading warranties.

At CURT Group, customer is king. We value your feedback and we use that information to make improvements on our products. Please, take a minute and let us know how we are doing.

### Step 1

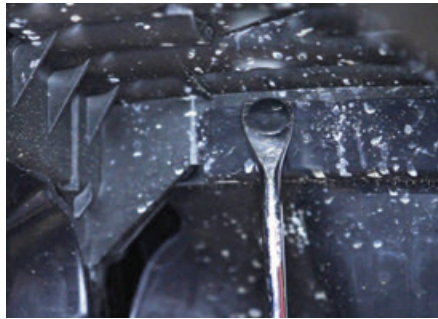
Starting with the front fender, remove the inner fender well using a socket set.



### Step 2

Remove all of the push-in retainers. Take care not to damage the plastic inner fender liner.

Once all of the retainers have been removed, remove the inner fender liner and set it aside.



### Step 3

Disconnect the side marker light from the factory harness.



#### Step 4

Remove the plastic trim retainer clips and the factory fender flare.



#### Step 5

Remove the factory turn signal light from inside the factory fender flare.

Remove the screw and plug.

Remove the four factory screws to remove the plastic cover.

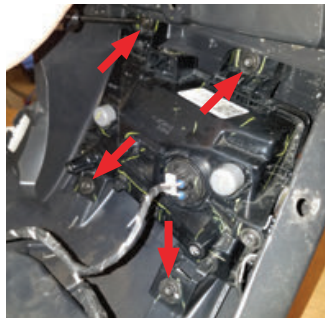


#### Step 6

Remove the four screws securing the factory light.

After all of the screws have been removed, unplug the wiring and remove the light.

**Note:** The light may still be attached with adhesive tape.



### Step 7

With the light removed, detach the side marker light.

Install the extension brackets with a clip nut, M4 button head bolt, lock washer and flat washer.

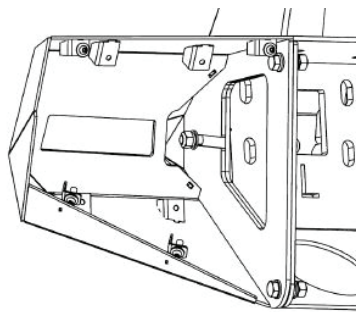
**Note:** Models with two bulbs in the turn signal do not need extension brackets.



### Step 8

**Note:** We recommend you complete the light relocation and corner installation prior to mounting your bumper onto the vehicle.

Take the driver-side corner and secure to the bumper using three M10 hex bolts, lock washers, flat washers and hex nuts.



### Step 9

Take the bulb seal and line the edges of the light opening on the top and side edges.

For the bottom edge, attach to the light for best seal.

**Note:** The bulb seal must be cut to the desired length prior to installation.

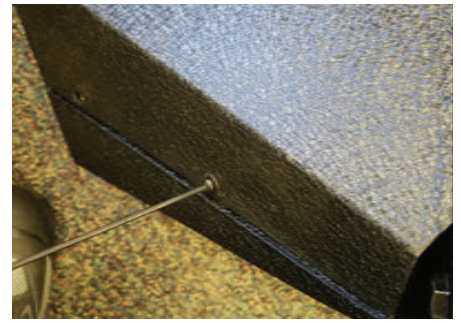


### Step 10

Once the seal is in place, install the light into the bumper corner using an M4 button head bolt, lock washer and flat washer.

With the light installed, be sure the wire is fed through the bumper.

Install the cover plate with an M4 button head bolt, lock washer and flat washer.



### Step 11

Repeat steps 1 through 10 on the passenger side.

**Note:** Refer to the installation manual supplied with any additional accessories prior to mounting the bumper to the vehicle.

With your corners and additional accessories (if applicable) installed, continue to step 7 of the manual included with your center section to install the bumper to the vehicle.



### Step 12

After the bumper is installed, connect the wiring harness and secure with zipties.

**Note:** If installing the side marker light (#1500240), use the attached white wire (negative) and black wire (positive) to power the light.



### Step 13

If installing / reinstalling ARIES inner fender liners and / or fender flares, refer to the instruction manual included with your fender liners and / or flares.





# INSTALLATION MANUAL

# ANGULAR BRUSH GUARD

## Level of Difficulty

Easy

This is the third of three manuals required to complete this installation. The first manual is included with your center section. The second manual is included with your bumper corners.

## Parts List

1	Angular brush guard
6	Buttonhead cap screw, M6
12	Flat washer, M6
6	Nylock nut, M6
4	Hex bolt, M10
8	Flat washer, M10
4	Lock washer, M10
4	Nut, M10
1	Cover plate

## Tools Required

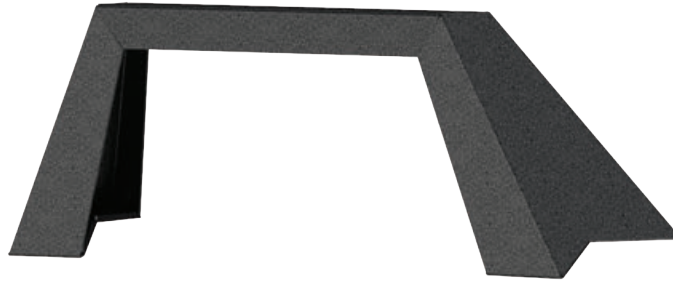
Ratchet	Phillips screwdriver
Socket extension	Flathead screwdriver
Socket set	Allen wrench set
Level	Box wrench set

## Torque Specifications

M6 bolt	7 ft-lbs.
M8 bolt	16 ft-lbs.
M10 bolt	33 ft-lbs.
M12 bolt	58 ft-lbs.

Use above torque setting unless otherwise noted

## Product Photo



## Applicable to the Following Part Numbers

2081101

2081100

## Notes and Maintenance

Before you begin installation, read all instructions thoroughly.

Proper tools will improve the quality of installation and reduce the time required.

Mild automotive detergent may be used to clean the product. Do not use dish detergent, abrasive cleaners, abrasive pads, wire brushes or other similar products that may damage the finish.

Refer to the table to the left when securing hardware during the installation process to help prevent damage to the product or vehicle.

## Product Registration

CURT Group stands behind our products with industry leading warranties.

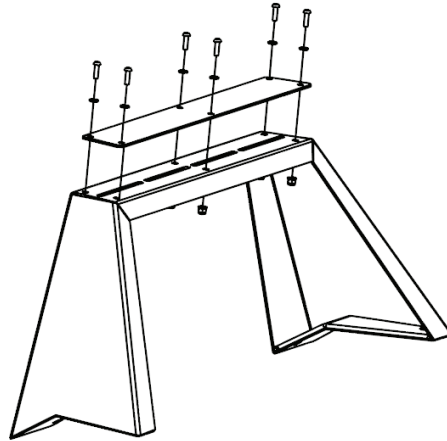
At CURT Group, customer is king. We value your feedback and we use that information to make improvements on our products. Please, take a minute and let us know how we are doing.

### Step 1

Place the cover plate on top of the brush guard. Insert an M6 button head cap screw with flat washer and secure with a nylock nut.

Repeat for all six attachment points.

Adjust if necessary and fully tighten all hardware with an Allen wrench.



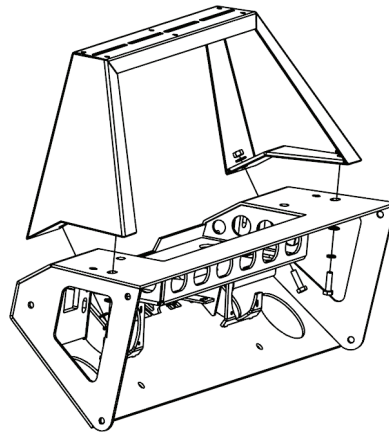
### Step 2

Place the center section onto a flat work surface. Lift the brush guard into place and insert an M10 hex bolt with locking and flat washer. Secure the bolt with a second flat washer and a hex nut.

Repeat this for all four attachment points.

Adjust if necessary and fully tighten all the hardware with a 16mm socket and wrench.

**Note:** To finish the installation, continue to step 7 of the manual included with your center section.





# INSTALLATION MANUAL

## CENTER SECTION

### Level of Difficulty

Moderate

This is the first of two manuals required to complete this installation. The second manual is included with your bumper corners. If installing a brush guard, there will be a third manual required.

### Center Section Parts List

1	TrailChaser™ center section
8	Hex bolt, M12
16	Flat washer, M12
8	Lock washer, M12
8	Nut, M12

### Tools Required

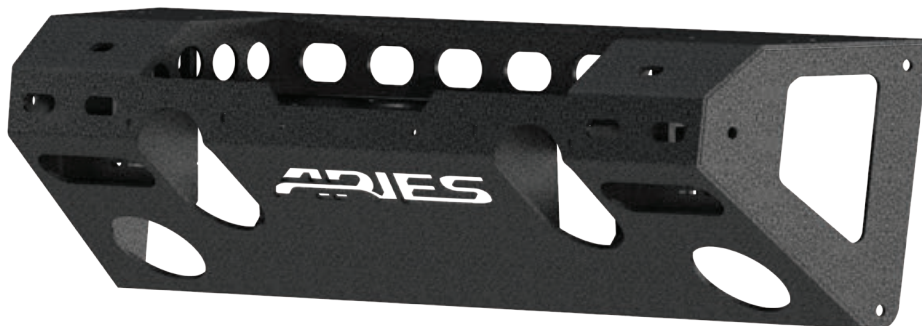
Ratchet	Phillips screwdriver
Socket extension	Flathead screwdriver
Socket set	Allen wrench set
Level	Box wrench set

### Torque Specifications

M6 bolt	7 ft-lbs.
M8 bolt	16 ft-lbs.
M10 bolt	33 ft-lbs.
M12 bolt	58 ft-lbs.

Use above torque setting unless otherwise noted

### Product Photo (center section only)



### Applicable to the Following Part Numbers

2081004

2081003

### Notes and Maintenance

Before you begin installation, read all instructions thoroughly.

Proper tools will improve the quality of installation and reduce the time required.

Mild automotive detergent may be used to clean the product. Do not use dish detergent, abrasive cleaners, abrasive pads, wire brushes or other similar products that may damage the finish.

Refer to the table to the left when securing hardware during the installation process to help prevent damage to the product or vehicle.

### Product Registration

CURT Group stands behind our products with industry leading warranties.

At CURT Group, customer is king. We value your feedback and we use that information to make improvements on our products. Please, take a minute and let us know how we are doing.



### Step 1

Remove the front fascia by removing the eight plastic push fasteners from the upper edge of the lower front fascia. Using a socket, remove the two 5mm screws securing the lower edge of the plastic fascia.



### Step 2

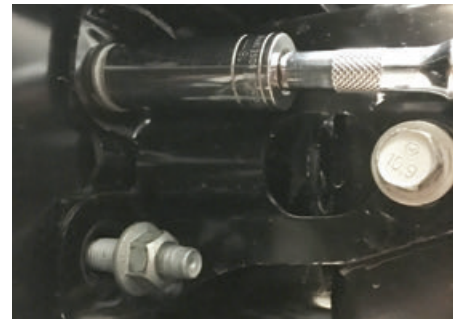
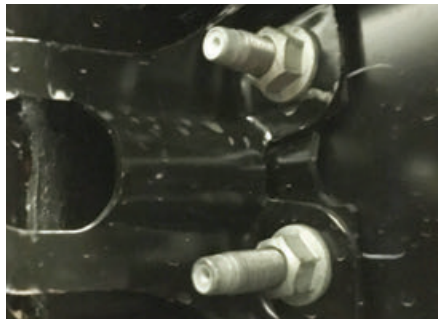
From behind the factory bumper on the passenger side, disconnect the fog light wiring harness.



### Step 3

On the driver side, remove the four nuts securing the factory bumper in place.

Repeat this step on the passenger side.



### Step 4

Once all of the bolts have been removed, carefully lift the factory bumper from the frame and set it on a flat work surface.

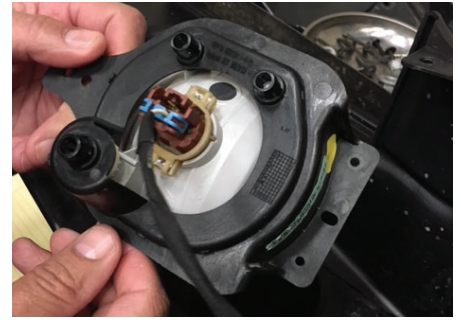


## Step 5

On the driver side, remove the plastic cover over the factory fog light. Remove the fog light and plastic housing from the factory bumper.

Disconnect the wiring harness from the fog light. Remove the factory fog light from the plastic housing.

Repeat this step on the passenger side.



## Step 6

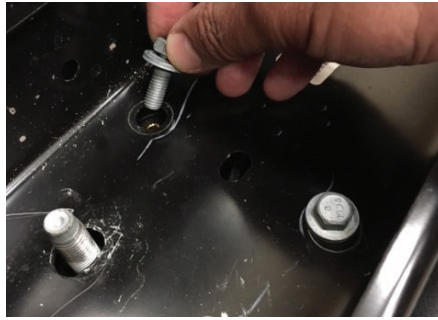
Remove the fog light wiring harness from the factory bumper. Begin by removing the retainer clips from the eight bumper mounting studs.

Remove the four bolts securing the beam to the bumper. Lift the beam from the bumper, exposing the fog light harness.

Remove the plastic push fasteners securing the wire harness to the bumper. The harness will be used on the new bumper.

**Note:** To continue the installation, refer to the installation manual included with your bumper corners. Refer to the installation manual supplied with any additional accessories after the corners have been installed, prior to mounting the bumper to the vehicle.

With your corners and additional accessories (if applicable) installed, continue to Step 7 to complete the bumper installation.



## Step 7

Install the factory fog lights into the new bumper. Be sure to fully engage the plastic push fasteners on the factory fog light into the mounting holes on the bumper.



### Step 8

With assistance, lift the bumper into place over the factory mounting locations.

Attach the bumper using M12 bolts, flat washers, lock washers and hex nuts on all eight mounting locations.

Snug the hardware, but do not fully tighten.



### Step 9

Connect the fog light harness to the fog lights in the bumper.

From behind the bumper on the passenger side, reconnect the fog light wiring harness.



### Step 10

Level and adjust the bumper to the desired position and tighten all hardware to the recommended torque specifications listed in the table on the first page.

**Note:** If installing a bumper with corners that include turn signals, refer to step 12 on the installation included with your bumper corners.

Congratulations on the installation of your new ARIES TrailChaser™ bumper.

With the bumper installed, periodic inspections should be performed to ensure all mounting hardware remains tight.

To protect your investment, see the 'Notes and Maintenance' section on the first page of this instruction manual.

