

# INSTALLATION MANUAL

## 2051180

### Level of Difficulty

Easy

### Parts List

1	Driver / left running board*
1	Passenger / right running board*
1	Driver / left bracket, front
1	Driver / left bracket, middle
1	Driver / left bracket, rear
1	Passenger / right bracket, front
1	Passenger / right bracket, middle
1	Passenger / right bracket, rear
8	Hex screw, M8
8	Flat washer, M8
8	Lock washer, M8
8	Pull through nuts, M8
2	Bolt plate, M10
4	Flat washer, M10
2	Lock washer, M10
2	Hex nut, M10
2	Plastic retainers, M10
2	Carriage bolt, 1/2"
2	Flat washer, 1/2"
2	Lock washer, 1/2"
2	Hex nut, 1/2"
2	3" x 1 1/2" spacer

\* Running boards sold separately

### Additional Hardware\*

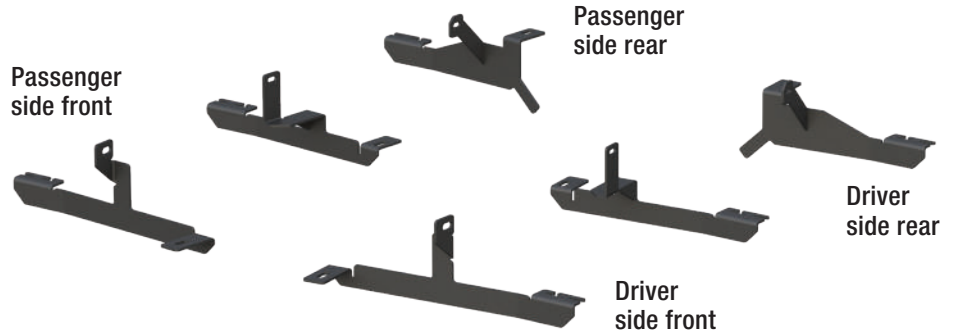
12	Hex bolt, M8
12	Flat washer, M8
12	Lock washer, M8
12	Hex nut, M8

\* Aluminum side bars are supplied with additional hardware. Quantities listed are in addition to the standard supplied hardware.

### Tools Required

Ratchet	Socket set
Level	--

### Product Photo



### AeroTread™ (not included)



### Notes and Maintenance

Before you begin installation, read all instructions thoroughly.

Proper tools will improve the quality of installation and reduce the time required.

To protect the product, wax after installing. Regular waxing is recommended to add a protective layer over the finish. Do not use any type of polish or wax that may contain abrasives that could damage the finish.

For polished, gloss and other smooth finishes, polish may be used to clear small scratches and scuffs on the finish.

Mild automotive detergent may be used to clean the product. Do not use dish detergent, abrasive cleaners, abrasive pads, wire brushes or other similar products that may damage the finish.

Refer to the last page of this manual for troubleshooting, warranty and product registration information.

Refer to the table to the left when securing hardware during the installation process to help prevent damage to the product or vehicle.

### Torque Specifications

Metric	Torque		SAE	Torque	
	Bolt	Washer		Bolt	Washer
M6 bolt	3 ft-lbs.		1/4" bolt	3 ft-lbs.	
M8 bolt	7 ft-lbs.		5/16" bolt	7 ft-lbs.	
M10 bolt	16 ft-lbs.		3/8" bolt	16 ft-lbs.	
M12 bolt	28 ft-lbs.		7/16" bolt	20 ft-lbs.	
--	--		1/2" bolt	28 ft-lbs.	

Use above torque setting unless otherwise noted

### Step 1

Starting on the driver side, locate the three mounting locations on the inside of the rocker panel and underneath the vehicle.

**Note:** Each bracket is specific to a mounting location. Refer to page 1 product image for correct locations.



### Step 2

Locate the front mounting holes.

Secure the front mounting bracket using an M8 pull-through nut, lock washer, flat washer and hex screw.

Snug the hardware, but do not fully tighten at this time



### Step 3

Locate the middle mounting holes. Remove plugs if they are present. Insert an M10 bolt plate into the rear mounting hole. Secure using an M10 flat washer, lock washer and hex nut.

Secure the front mounting bracket using an M8 pull through nut, lock washer, flat washer and hex screw.

Snug the hardware, but do not fully tighten at this time



### Step 4

Locate the rear mounting holes. Insert a 3" x 1 1/2" spacer and a 1/2" carriage bolt in the rear hole. Secure using a 1/2" lock washer and flat washer.

Secure the front mounting bracket using an M8 pull-through nut, lock washer, flat washer and hex screw.

Snug the hardware, but do not fully tighten at this time



### Step 5

Place the running board on the brackets and align the M8 bolts with the slots in the brackets on the vehicle.

Attach the running board to the brackets using six M8 bolts, lock washers, flat washers and hex nuts.

Adjust and level the running board, centering it between the front and rear wheels.

With the running boards in position, it is recommended to tighten all brackets to the vehicle first, followed by the running board connections.



### Step 6

Repeat steps 1 through 5 on the passenger side of the vehicle.

Congratulations on the installation of your new ARIES AeroTread™ running boards.

With the running boards installed, periodic inspections should be performed to ensure all mounting hardware remains tight.

To protect your investment, see the 'Notes and Maintenance' section on the first page of this instruction manual.

