



INSTALLATION MANUAL

2051176

Level of Difficulty

Easy

Parts List

1	Driver / left running board*
1	Passenger / right running board*
2	Mounting bracket, front
2	Mounting bracket, rear
4	Bolt plate, M10
4	Lock washer, M10
4	Flat washer, M10
4	Hex nut, M10
4	Hex screw, M6
4	Lock washer, M6
4	Flat washer, M6

*Running boards sold separately

Tools Required

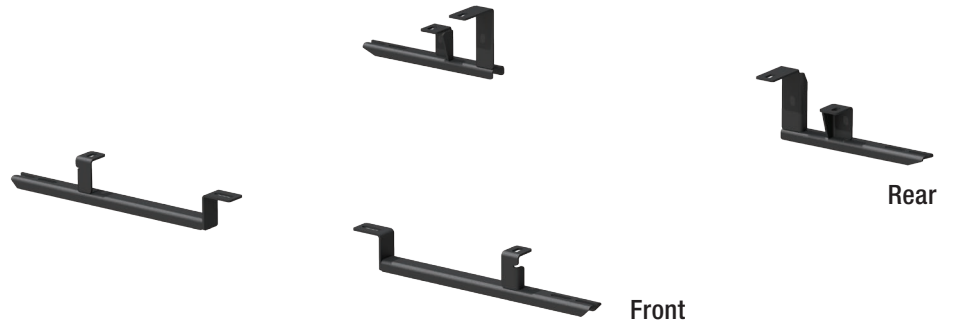
Ratchet	Socket, 10mm
Torque wrench	Socket, 17mm

Torque Specifications

	Metric	SAE
	M6 bolt	3 ft-lbs.
	M8 bolt	7 ft-lbs.
	M10 bolt	16 ft-lbs.
	M12 bolt	28 ft-lbs.
	1/4" bolt	3 ft-lbs.
	5/16" bolt	7 ft-lbs.
	3/8" bolt	16 ft-lbs.
	7/16" bolt	20 ft-lbs.
	1/2" bolt	28 ft-lbs.

Use above torque setting unless otherwise noted

Product Photo



AeroTread™ (not included)



Notes and Maintenance

Before you begin installation, read all instructions thoroughly.

Proper tools will improve the quality of installation and reduce the time required.

To protect the product, wax after installing. Regular waxing is recommended to add a protective layer over the finish. Do not use any type of polish or wax that may contain abrasives that could damage the finish.

For polished, gloss and other smooth finishes, polish may be used to clear small scratches and scuffs on the finish.

Mild automotive detergent may be used to clean the product. Do not use dish detergent, abrasive cleaners, abrasive pads, wire brushes or other similar products that may damage the finish.

Refer to the table to the left when securing hardware during the installation process to help prevent damage to the product or vehicle.

Step 1

Starting on the driver side, locate the two mounting locations and the brackets on the driver side.



Step 2

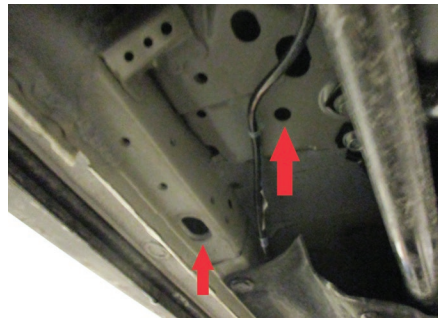
Locate the two front mounting holes.

Place the front bracket on the vehicle and align to the mounting holes. Secure with two M6 bolts, lock washers and flat washers.



Step 3

Locate the two rear mounting holes. Insert two M10 bolt plates into the mounting holes. Secure the plate to the vehicle using two M10 lock washers, flat washers and hex nuts.



Step 4

Remove the flat washers, lock washers and hex nuts from the driver-side running board. Place the running board onto the mounting brackets. Slide each hex bolt into the appropriate slot on the mounting brackets.

Center the running board and tighten all hardware.



Step 5

Repeat steps 1 through 4 on the passenger side of the vehicle.

Congratulations on the installation of your new AeroTread™ running boards.

With the running boards installed, periodic inspections should be performed to ensure all mounting hardware remains tight.

To protect your investment, see the 'Notes and Maintenance' section on the first page of this instruction manual.

