

INSTALLATION MANUAL

204054-2

Level of Difficulty

Easy

Parts List

1	Driver / left 3" oval side bar
1	Passenger / right 3" oval side bar
1	Driver / left front mounting bracket
1	Passenger / right front mounting bracket
2	Center support bracket
1	Driver / left rear mounting bracket
1	Passenger / right rear mounting bracket
4	Hex bolt, 1/2" x 2"
4	Lock washers, 1/2"
4	Large flat washers, 1/2" x 1-1/2" OD x 1/8"
2	Combo bolts, 8 - 1.25mm x 25mm

Tools Required

Ratchet	Torque wrench
Socket set	Level
Socket extension	--

Torque Specifications

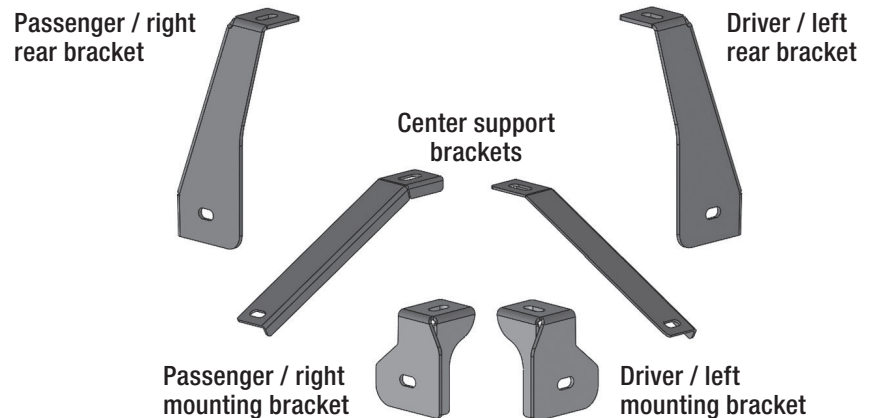
	Metric	SAE	Torque
	M6 bolt		3 ft.-lbs.
	M8 bolt		7 ft.-lbs.
	M10 bolt		16 ft.-lbs.
	M12 bolt		28 ft.-lbs.
	1/4" bolt		3 ft.-lbs.
	5/16" bolt		7 ft.-lbs.
	3/8" bolt		16 ft.-lbs.
	7/16" bolt		20 ft.-lbs.
	1/2" bolt		28 ft.-lbs.

Use above torque setting unless otherwise noted

Product Photo



Brackets and Hardware



NOTICE

Before you begin installation, read all instructions thoroughly.

Proper tools will improve the quality of installation and reduce the time required.

To help prevent damage to the product or vehicle, refer to the specified torque specifications when securing hardware during the installation process.

Maintenance

To protect the product, wax after installing. Regular waxing is recommended to add a protective layer over the finish. Do not use any type of polish or wax that may contain abrasives that could damage the finish.

For polished, gloss and other smooth finishes, polish may be used to clear small scratches and scuffs on the finish.

Mild automotive detergent may be used to clean the product. Do not use dish detergent, abrasive cleaners, abrasive pads, wire brushes or other similar products that may damage the finish.

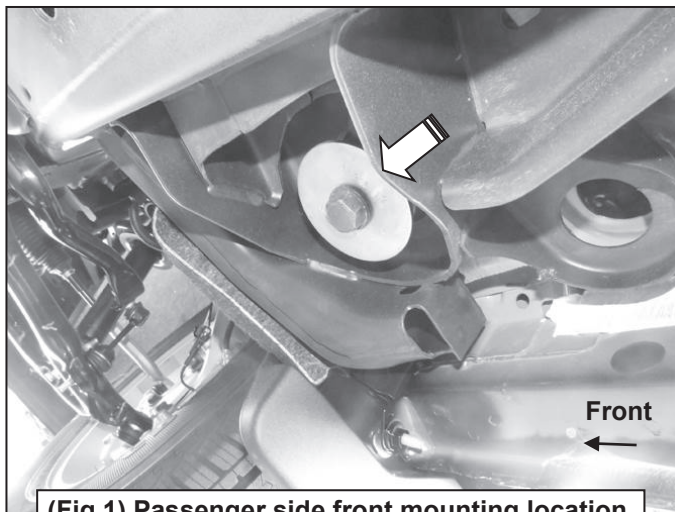
PROCEDURE:

REMOVE CONTENTS FROM BOX. VERIFY ALL PARTS ARE PRESENT. READ INSTRUCTIONS CAREFULLY BEFORE STARTING INSTALLATION. ASSISTANCE IS RECOMMENDED.

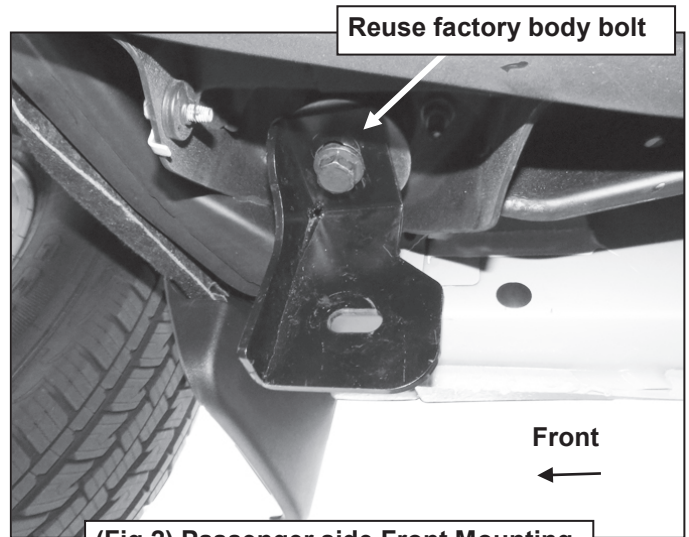
1. Start the installation under the Passenger/right side of the vehicle. Locate the front body mount, **(Figure 1)**. Remove the front body bolt.
2. Select the Passenger/right side Front Bracket, **(Figure 2)**. Line up the upper slot on the Bracket with the body bolt hole. Reuse the factory body bolt to attach the Bracket to the top of the body mount, **(Figure 2)**.
3. Move to the center mounting location, **(Figure 3)**. Repeat **Steps 1 & 2** to install (1) Center Support Bracket to the center body mount, **(Figure 4)**.
4. Move to the rear mounting location, **(Figure 5)**. Repeat **Steps 1 & 2** to install the Rear Mounting Bracket to the rear body mount, **(Figure 6)**.
5. Carefully unwrap and select the Passenger/right Sidebar. Use the illustration above to help identify the correct Sidebar. With assistance, line up the front end of the tube with the front Bracket slot, **(Figure 7)**. Use (1) 1/2" Hex Bolt, (1) 1/2" Lock Washer and (1) 1/2" Flat Washer to attach the front end of the Sidebar tube to the Front Bracket, **(Figure 8)**. Snug but do not tighten hardware at this time.
6. Repeat **Step 5** to attach the rear end of the Sidebar to the Rear Bracket, **(Figures 9 & 10)**.
7. Attach the Center Support Bracket to the Sidebar using (1) 8mm Combo Bolt, **(Figures 11 & 12)**. Do not tighten hardware at this time.
8. Level and adjust the Sidebar as necessary and fully tighten all hardware.
9. Repeat **Steps 1—8** for Driver/left Sidebar installation.
10. Do periodic inspections to the installation to make sure that all hardware is secure and tight.

To protect your investment, wax this product after installing. Regular waxing is recommended to add a protective layer over the finish. Do not use any type of polish or wax that may contain abrasives that could damage the finish. Mild soap may be used also to clean the Sidebar.

Passenger/right Side Installation Pictured

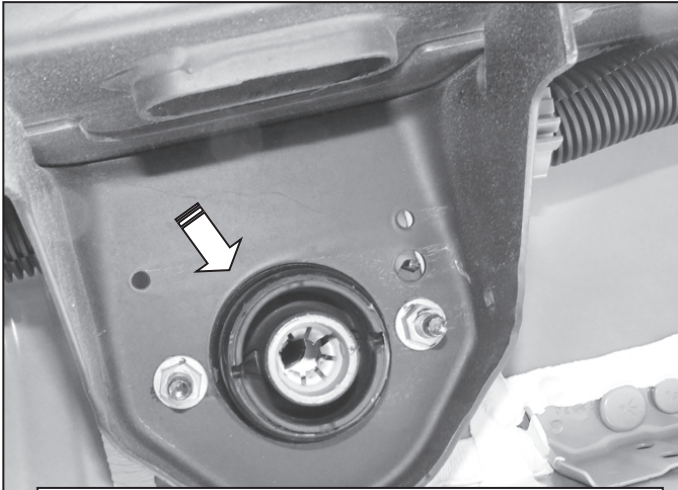


(Fig 1) Passenger side front mounting location

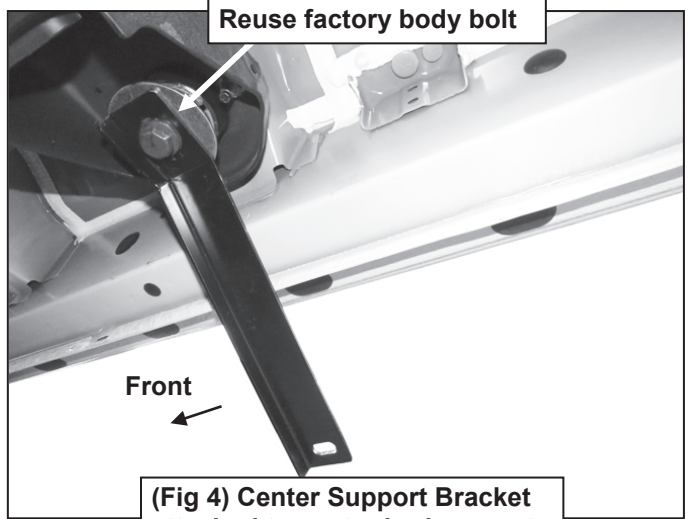


(Fig 2) Passenger side Front Mounting Bracket attached to front body mount

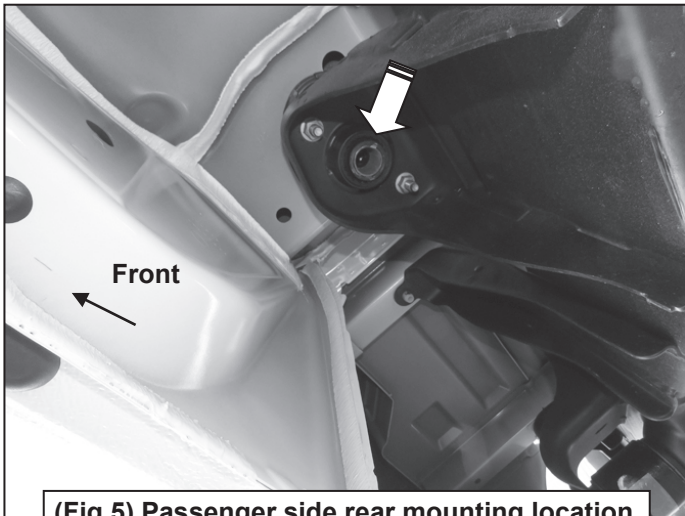
Passenger/right Side Installation Pictured



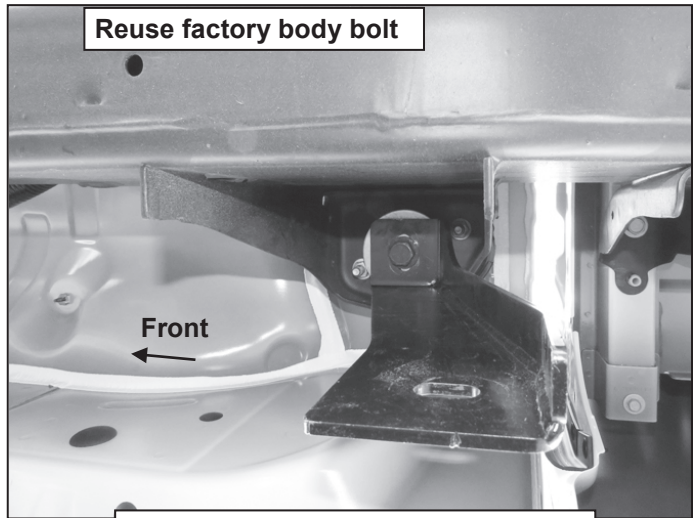
(Fig 3) Passenger side center mounting location



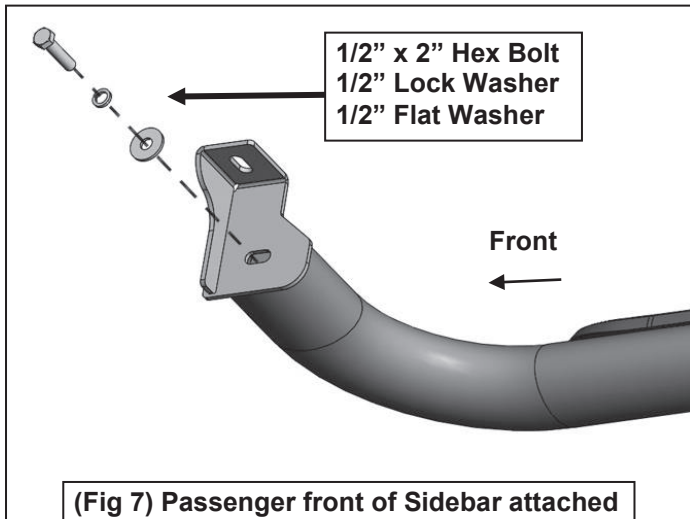
(Fig 4) Center Support Bracket attached to center body mount



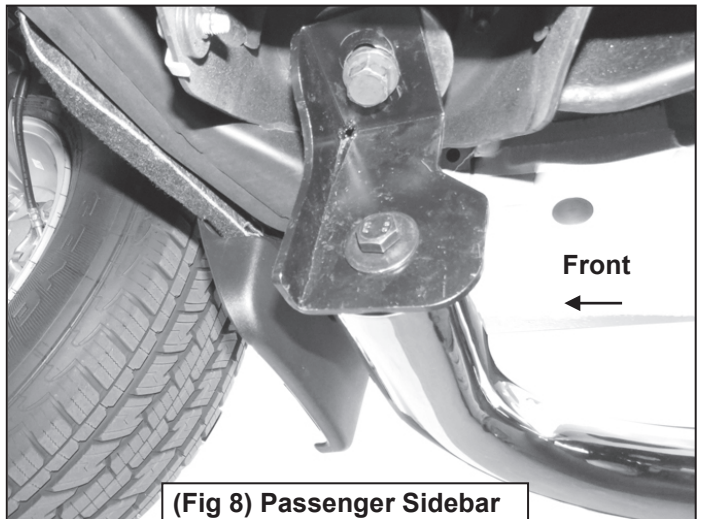
(Fig 5) Passenger side rear mounting location



(Fig 6) Passenger side Rear Bracket attached to the rear body mount



(Fig 7) Passenger front of Sidebar attached to Front Mounting Bracket illustrated



(Fig 8) Passenger Sidebar attached to Front Bracket

Passenger/right Side Installation Pictured

