

Parts List

1	Driver / left, mounting bracket
1	Passenger / right, mounting bracket
4	Spacers, M8 x 19mm
4	Flat washer, M8
4	Lock washer, M8
4	Button head cap screw, M8 x 1.25 x 45mm

Tools Required

Ratchet	Socket, 7mm
Allen wrench, 2.5mm	Allen wrench, 5mm
Torx bit, T-50	Utility knife

Torque Specifications

	Torque Specifications	
METRIC	M6 bolt	3 ft.-lbs.
	M8 bolt	7 ft.-lbs.
	M10 bolt	16 ft.-lbs.
	M12 bolt	28 ft.-lbs.
SAE	1/4" bolt	3 ft.-lbs.
	5/16" bolt	7 ft.-lbs.
	3/8" bolt	16 ft.-lbs.
	7/16" bolt	20 ft.-lbs.
	1/2" bolt	28 ft.-lbs.

Level of Difficulty

Easy

Product Image



Notes and Maintenance

Before you begin installation, read all instructions thoroughly.

Proper tools will improve the quality of installation and reduce the time required.

To protect the product, wax after installing. Regular waxing is recommended to add a protective layer over the finish. Do not use any type of polish or wax that may contain abrasives that could damage the finish.

For stainless steel and aluminum, polish may be used to clear small scratches and scuffs on the finish. Mild soap may be used also to clean the product.

For black finishes, mild soap may be used to clean the product.

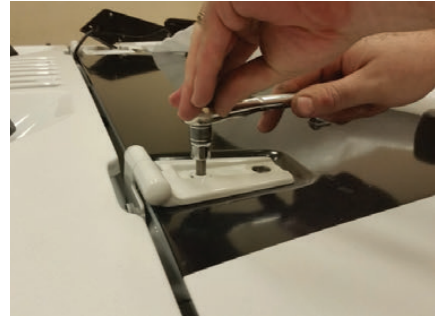
Refer to the table to the left when securing hardware during the installation process to help prevent damage to the product or vehicle.

Step 1

Remove the four hinge bolts on the hood of the Jeep following the instructions below.

Using a utility knife, cut the paint around the fasteners to aid in removal and prevent the paint from peeling off of the hinge.

Using a ratchet and a T-50 Torx bit, remove the fasteners. Make sure to put pressure down on the fastener to prevent stripping.



Step 2

If desired, the stainless steel logo plate can be removed to route light wiring under the logo plate.

Using a 2.5mm Allen wrench and a 7mm socket, remove the four fasteners holding the logo plate to the bracket.

If the logo plates are removed, make sure to tighten all logo plate fasteners to 20 inch-pounds when reinstalling.



Step 3

Install the LED lights using the light manufacturer's fasteners. The brackets are designed to accommodate an M6 or M8 fastener. If the fasteners are larger than M8, some drilling may be required.

Fasten the LED light bar to the brackets.

Snug the fasteners, but do not fully tighten.



Step 4

Place two spacers on each hinge of the Jeep. Place the bracket / light bar assembly onto the spacers on the Jeep.

It is recommended that two people hold the light bar in place while the fasteners are secured on the spacers.



Step 5

Place two M8 button head cap screws through a lock washer and flat washer.

Loosely snug the passenger-side bracket onto the hood of the Jeep.

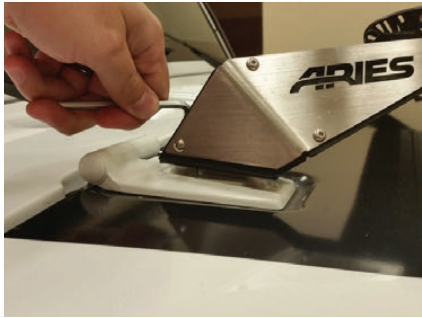
Repeat this process on the driver side.



Step 6

Tighten the four M8 button head cap screws to the Jeep using the 5mm Allen wrench.

Tighten the fasteners holding the LED light to the brackets according to the light manufacturer's specifications.



Step 7

Congratulations on the installation of your new ARIES hood light mounting brackets.

With the hood light mounting brackets installed, periodic inspections should be performed to ensure all mounting hardware remains tight.



Parts List

1	LED light bar, 10"
1	Mounting bracket, left
1	Mounting bracket, right
1	Wiring harness
2	Security screw, M6 - 1.0 x 25mm
2	Rubber spacer, M6
2	Flat washer, M6
2	Hex head cap screw, M8 - 1.25 x 18mm
2	Flat washer, M8
2	Nylock nut, M8 -1.25mm
1	Security screw L-wrench
1	15-amp fuse, pre-installed

Step 1

Mount the LED light in the desired location with a rubber spacer between the mounting surface and each bracket.

Note: If this light bar is being used with a 24V system, the relay will need to be replaced with a 24V unit.

Disconnect the supplied switch from the wiring harness and install in the desired location.

Step 2

Once the LED light bar and switch are installed, route the wiring harness to the light. Insert the male plug on the wiring harness into the female socket on the LED light. Reconnect the blue, red and black spade connectors to the switch (see the wiring diagram).

Step 3

Connect the red fused wire with the ring terminal to the positive (+) battery post. Connect the black wire ring terminal to the negative (-) battery post or other suitable vehicle grounding point.

Step 4

Mount the provided relay to the vehicle and secure all wires with zip ties away from moving parts to avoid damage. Test the light to ensure proper function.

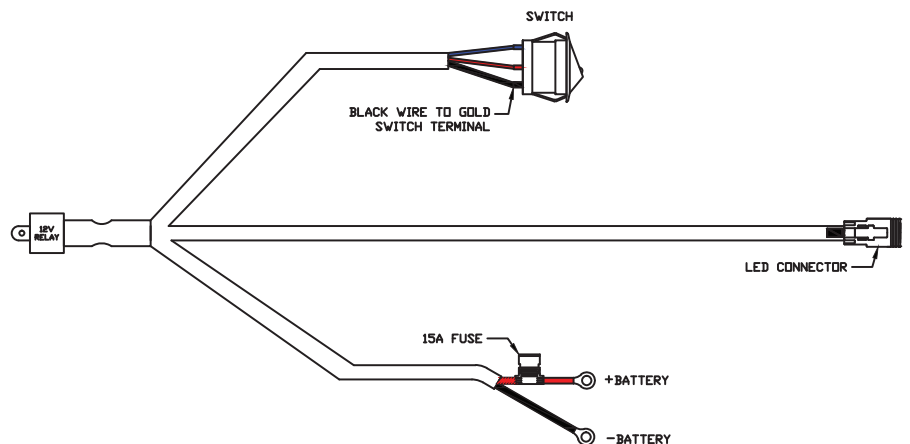
Level of Difficulty

Easy

Product Image



Wiring Diagram



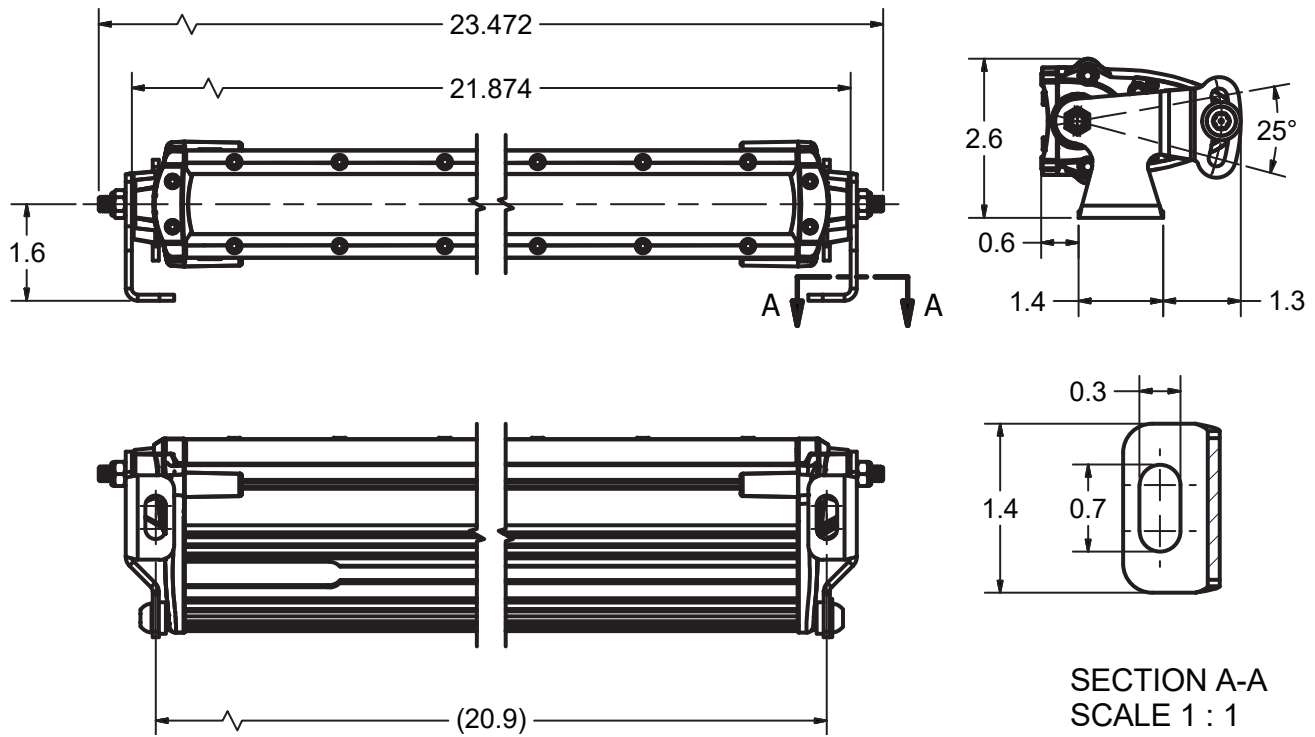
Notes and Maintenance

Before you begin installation, read all instructions thoroughly.

Periodic inspection of all wires and connections should be performed to ensure there is no visible damage or loose connections.

WARNING: Improper electrical installation may damage electronic components resulting in personal injury, property or equipment damage. Damaged caused by incorrect installation is not covered by warranty. Installation should only be performed by qualified personnel with a solid understanding of electrical systems.

Basic Dimensions



Mounting Illustration

