



INSTALLATION MANUAL

1110310

Parts List

2	Headache rack tie down
2	Threaded knob, M8
2	Hex bolt, M8 - 1.25 x 20mm

Level of Difficulty

Easy

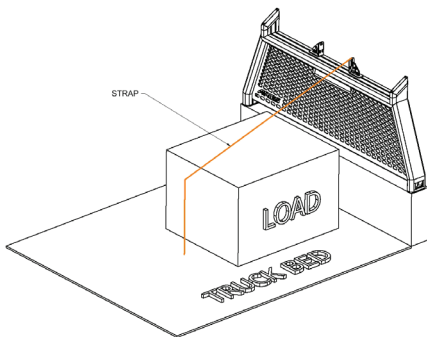
Product Image



Torque Specifications

	Torque Specifications	
METRIC	M6 bolt	3 ft.-lbs.
	M8 bolt	7 ft.-lbs.
	M10 bolt	16 ft.-lbs.
	M12 bolt	28 ft.-lbs.
SAE	1/4" bolt	3 ft.-lbs.
	5/16" bolt	7 ft.-lbs.
	3/8" bolt	16 ft.-lbs.
	7/16" bolt	20 ft.-lbs.
1/2" bolt	28 ft.-lbs.	

Caution: Do not use in this manner



Notes and Maintenance

Before you begin installation, read all instructions thoroughly.

For black finishes, mild soap may be used to clean the product.

Refer to the table to the left when securing hardware during the installation process to help prevent damage to the product or vehicle.

Caution: Failure to follow the guidelines below and on page 2 may result in damage or loss of load. This includes, but not limited to, damage to tie downs, headache rack and vehicle. It is the drivers responsibility to ensure the load is secure and to periodically check to make sure the load remains secure.

Headache rack tie downs are designed to withstand 150 pounds of straight line tension force.

Any hooks placed into tie downs must be small enough to fit completely into holes or slots and should also rotate freely.

Tie downs should not be used to secure loads in the bed of pickup truck or any other place that would cause the tie downs and headache rack to be side loaded.

Tie downs should only be used to secure loads on top of headache rack.

Step 1

Place the headache rack on a work table with the slotted ends hanging off the sides of the table.

Note: tie downs may be install if the headache rack has already been installed on the Vehicle.

Insert an M8 bolt into the top rail slot of the headache rack.



Step 2

Align the M8 bolt with the mounting hole in the tie down and insert into the rail slot. The T-shaped portion of tie down must be slid into the hole on the headache rack at the same time the tie down is placed on the M8 bolt.

Loosely thread the threaded knob onto the M8 hex bolt and slide the tie down into the desired location.

Tighten down the threaded knob to secure the tie down in place.



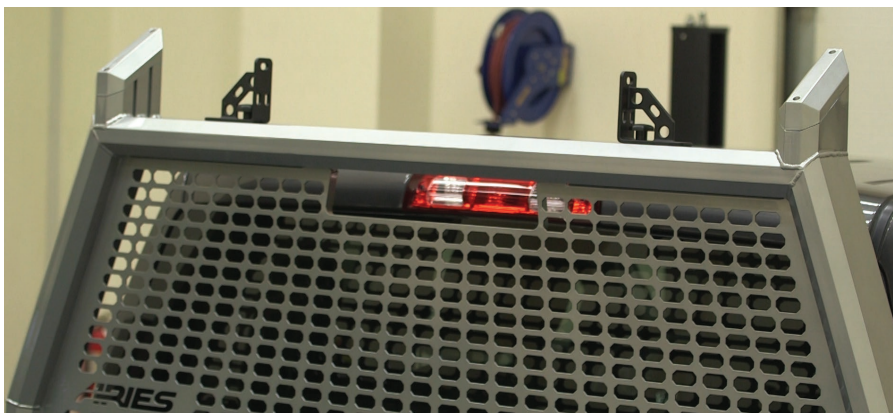
Step 3

Repeat steps 1 and 2 for the remaining tie down.

Congratulations on the installation of your new ARIES headache rack tie downs.

With the headache rack tie downs installed, periodic inspections should be performed to ensure all mounting hardware remains tight.

To protect your investment, see the 'Notes and Maintenance' section on the first page of this instruction manual.



Recommended Strap Configurations

