

INSTALLATION MANUAL

205044

Level of Difficulty

Easy

Parts List

2	3" Sidebars
1	Driver / left front mounting bracket
1	Passenger / right front mounting bracket
1	Driver / left rear mounting bracket
1	Passenger / right rear mounting bracket
1	Driver / left front support bracket
1	Passenger / right front support bracket
1	Driver / left rear support bracket
1	Passenger / right side rear support bracket
4	Hex bolts, 1/2" x 2"
4	Flat washers, 1/2" x 1-1/2" x 1/8"
4	Lock washers, 1/2"
12	Nylon lock nuts, 8-1.25mm
12	Flat washers, 8mm x 24mm x 2mm

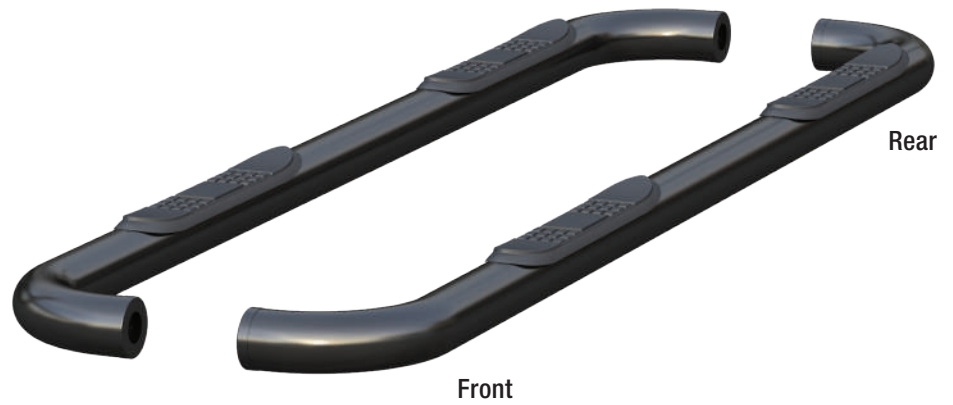
* Footnote

Torque Specifications

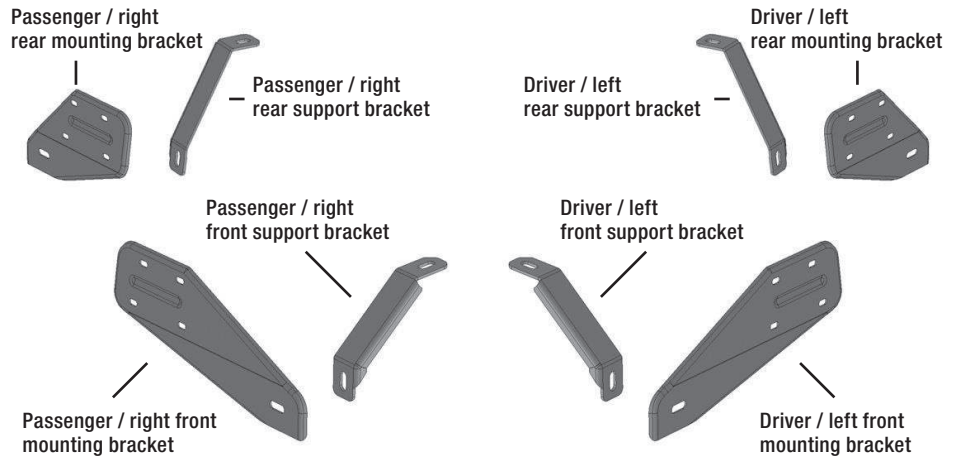
SAE	Metric		
		Bolt	Torque
		M6 bolt	3 ft.-lbs.
		M8 bolt	7 ft.-lbs.
		M10 bolt	16 ft.-lbs.
		M12 bolt	28 ft.-lbs.
		1/4" bolt	3 ft.-lbs.
		5/16" bolt	7 ft.-lbs.
		3/8" bolt	16 ft.-lbs.
		7/16" bolt	20 ft.-lbs.
		1/2" bolt	28 ft.-lbs.

Use above torque setting unless otherwise noted

Product Photo



Brackets and Hardware



Notes and Maintenance

Before you begin installation, read all instructions thoroughly.

Proper tools will improve the quality of installation and reduce the time required.

To protect the product, wax after installing. Regular waxing is recommended to add a protective layer over the finish. Do not use any type of polish or wax that may contain abrasives that could damage the finish.

For polished, gloss and other smooth finishes, polish may be used to clear small scratches and scuffs on the finish.

Mild automotive detergent may be used to clean the product. Do not use dish detergent, abrasive cleaners, abrasive pads, wire brushes or other similar products that may damage the finish.

Refer to the last page of this manual for warranty and product registration information.

Refer to the table to the left when securing hardware during the installation process to help prevent damage to the product or vehicle.

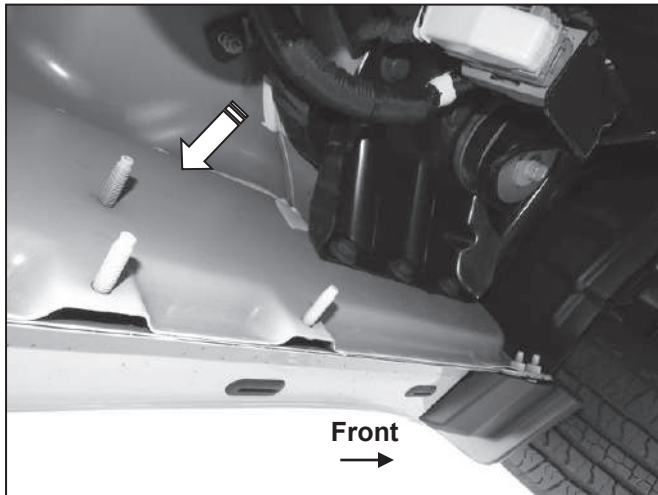
PROCEDURE:

REMOVE CONTENTS FROM BOX. VERIFY ALL PARTS ARE PRESENT. READ INSTRUCTIONS CAREFULLY BEFORE STARTING INSTALLATION. ASSISTANCE IS RECOMMENDED.

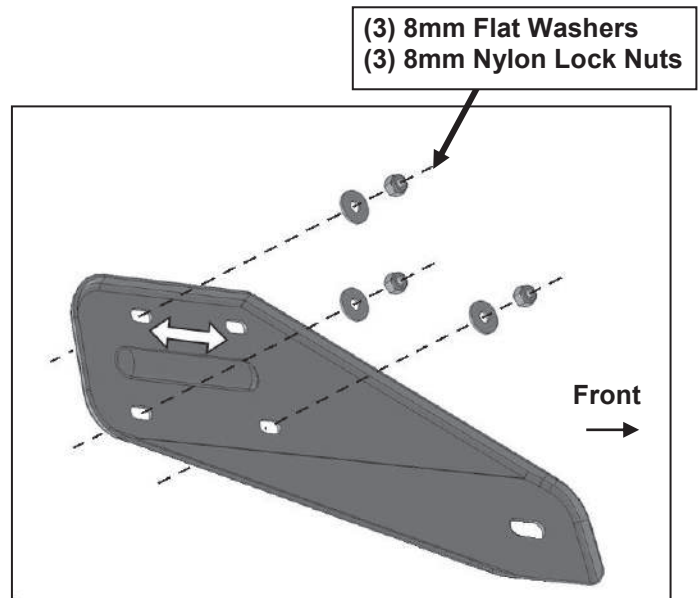
1. Start the installation under the driver/left side of the vehicle. Locate the front (3) factory studs along the inner side of the body panel, **(Figure 1)**. **IMPORTANT:** Use a wire brush or thread die to remove paint buildup on the threaded studs before continuing with installation.
2. Select the driver/left Front Mounting Bracket, **(Figure 2)**. Place the Bracket over the studs with the flat side against the body panel. Attach the Bracket to the (3) factory studs with (3) 8mm Flat Washers and (3) 8mm Nylon Lock Nuts, **(Figures 2 & 3)**. Leave Bracket loose at this time.
3. Locate the front body mount next to the installed Bracket, **(Figure 4)**. Remove the body bolt and washer, **(Figure 5)**. **NOTE:** Clean threads on body bolt to remove paint buildup before reinstalling.
4. Select the driver/left Front Support Bracket, **(Figure 6)**. Reuse the factory body bolt and washer to attach the upper slot in the Support Bracket to the body mount. **(Figures 7 & 8)**.
5. Move to the rear mounting location, **(Figure 9)**. Repeat **Steps 1—4** to attach the driver/left Rear Mounting Bracket and Support Bracket, **(Figure 10)**.
6. Carefully unwrap and select (1) Sidebar. With assistance, line up the front end of the tube with the front Bracket, **(Figure 11)**. Attach the front end of the Sidebar to the Front Brackets with the included 1/2" Hex Bolt, 1/2" Lock Washer and 1/2" Flat Washer, **(Figures 11 & 12)**. Do not tighten hardware.
7. Move to the rear of the Sidebar. Repeat **Step 6** to attach the Sidebar to the rear Brackets, **(Figure 13)**.
8. Level and adjust the Sidebar as necessary and fully tighten all hardware.
9. Repeat **Steps 1—8** for passenger/right Sidebar.
10. Do periodic inspections to the installation to make sure that all hardware is secure and tight.

To protect your investment, wax this product after installing. Regular waxing is recommended to add a protective layer over the finish. Do not use any type of polish or wax that may contain abrasives that could damage the finish. Mild soap may be used also to clean the Sidebar.

Driver/left Side Installation Pictured

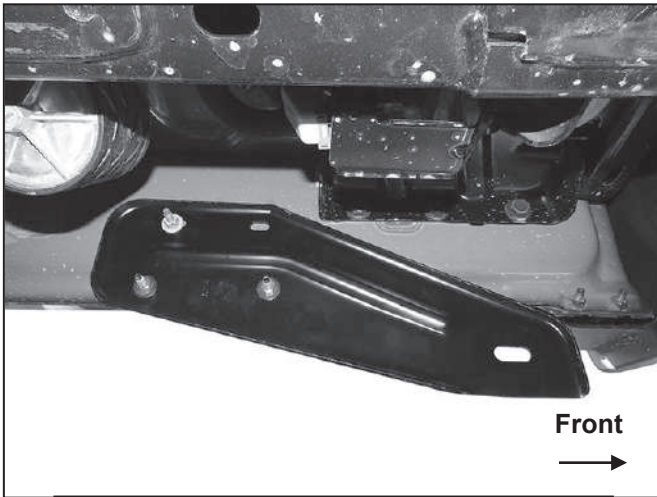


(Fig 1) Driver/left front mounting location

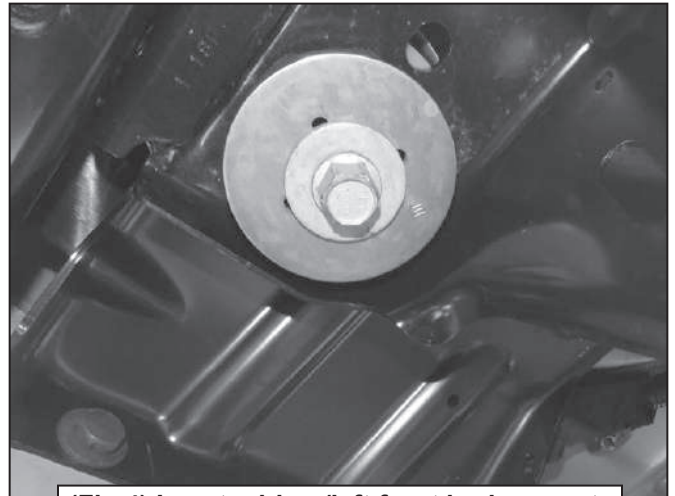


(Fig 2) Attach flat side of Driver/left Front Mounting Bracket to side of inner body panel

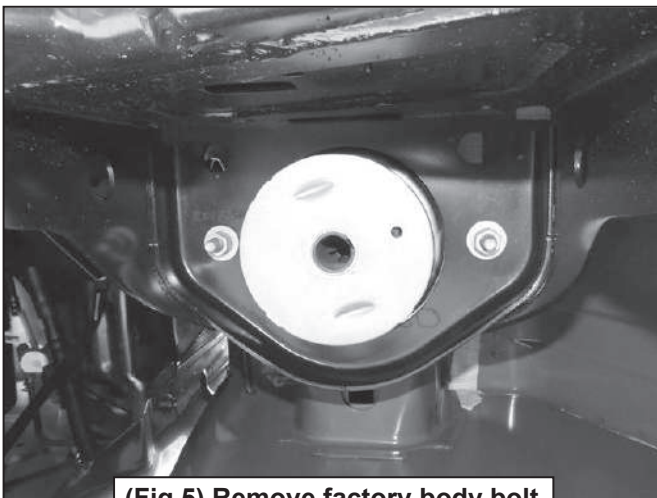
Driver/left Side Installation Pictured



(Fig 3) Driver/left Front Bracket installed



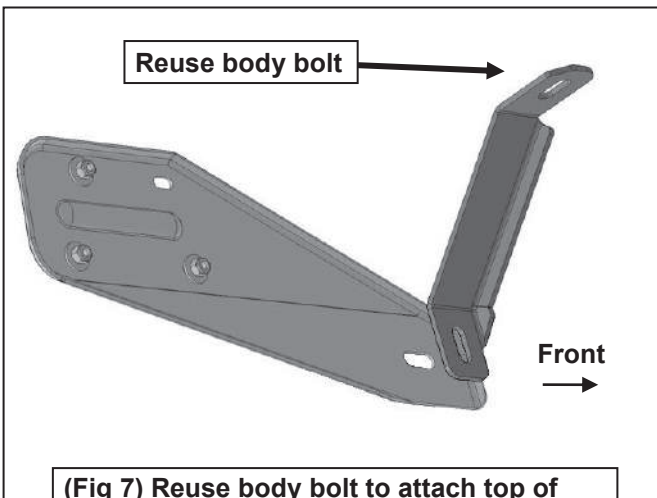
(Fig 4) Locate driver/left front body mount (passenger side pictured for example)



(Fig 5) Remove factory body bolt



(Fig 6) Driver/left Front and Rear Support Brackets. NOTE: Front Support Bracket (left) is shorter than the rear (right).

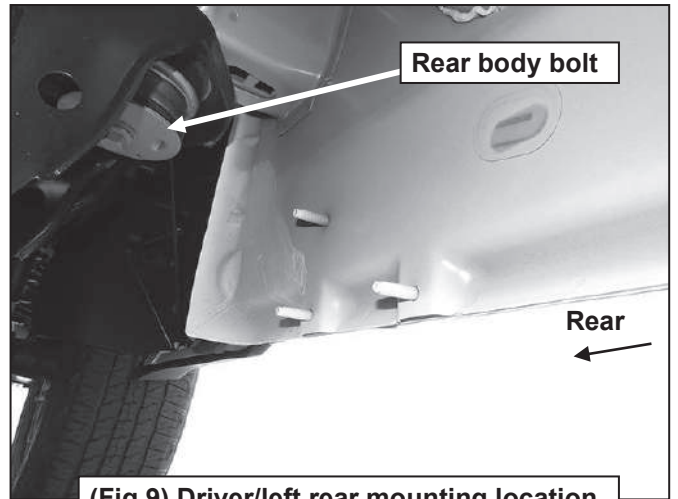


(Fig 7) Reuse body bolt to attach top of Support Bracket to body mount (Driver/left Front Support Bracket illustrated)

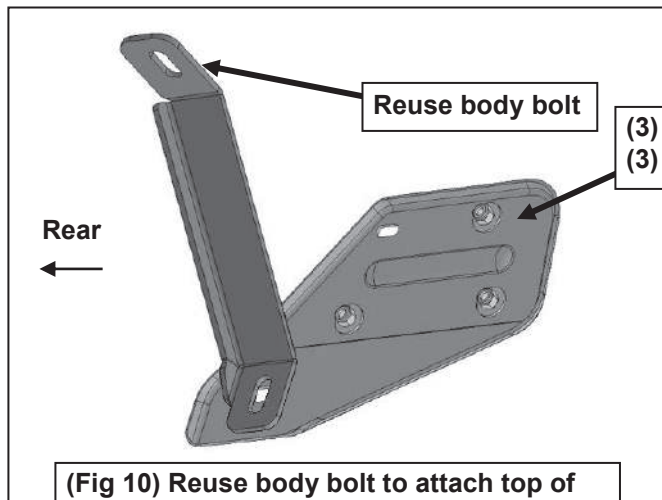
Driver/left Side Installation Pictured



(Fig 8) Driver/left Front Support Bracket attached to body mount



(Fig 9) Driver/left rear mounting location

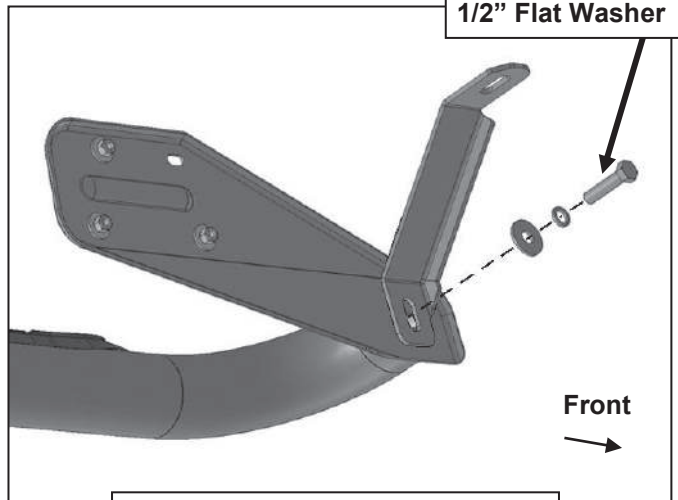


(Fig 10) Reuse body bolt to attach top of Support Bracket to body mount (Driver/left Rear Support Bracket illustrated)

NOTE: The Front Support Bracket is shorter than the Rear Support Bracket.

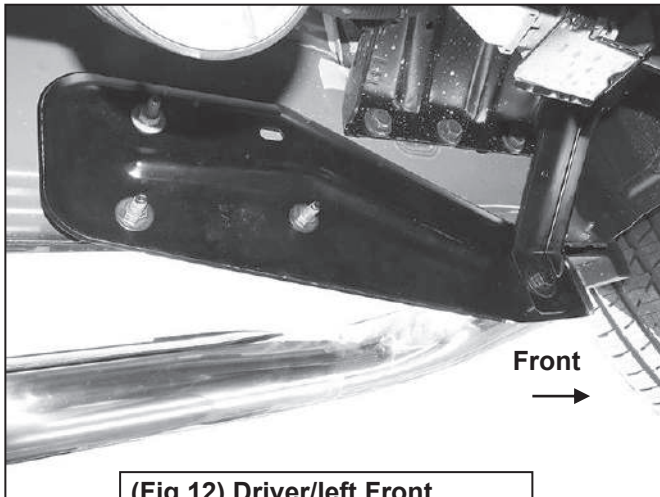
(3) 8mm Flat Washers
(3) 8mm Nylon Lock Nuts

1/2" x 2" Hex Bolt
1/2" Lock Washer
1/2" Flat Washer

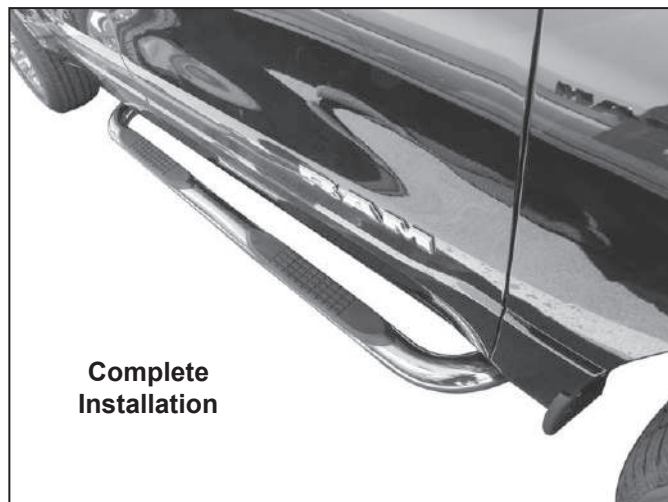


(Fig 11) Attach end of the Sidebar to the driver/left front Bracket

Driver/left Side Installation Pictured

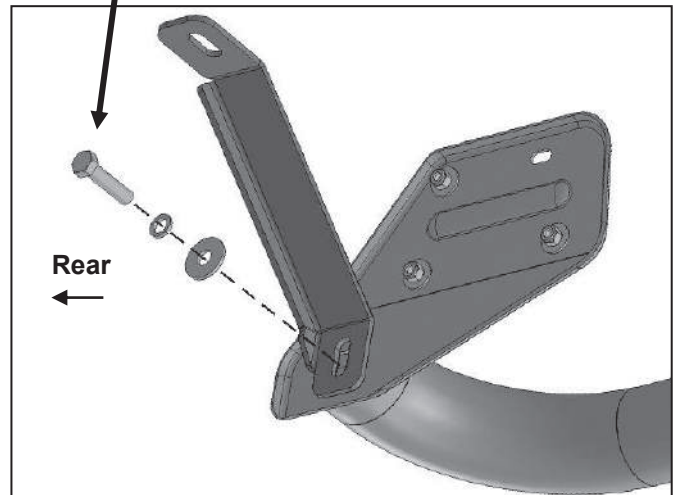


(Fig 12) Driver/left Front Brackets and Sidebar installed



Complete Installation

1/2" x 2" Hex Bolt
1/2" Lock Washer
1/2" Flat Washer



(Fig 13) Attach Sidebar to Driver/left Rear Brackets

Product Registration

CURT Group stands behind our products with industry leading warranties.

At CURT Group, customer is king. We value your feedback and we use that information to make improvements on our products. Please, take a minute and let us know how we are doing.