

LED ROUND HYBRID

2500 LUMENS



Rugged LED work light delivers super bright illumination.

Applications include: Agriculture, Mining, Construction, Forestry,
Heavy Duty Vehicles, Military, Off-Road Vehicles.

FEATURE	BENEFIT
Robust bezel	Enhanced style with added lens protection.
Die-cast aluminum housing & polycarbonate lens	Rugged design. Built for extreme working conditions.
IP68 / IP69K	Waterproof and dust protected.
4 attachment points	If one attachment point fails due to a collision, rotate to the next channel point and re-mount the light.
Low current draw	Energy efficient, save on fuel costs as it consumes less energy.
Constant current circuit draw	Light does not dim even if voltage fluctuates.

LED ROUND HYBRID

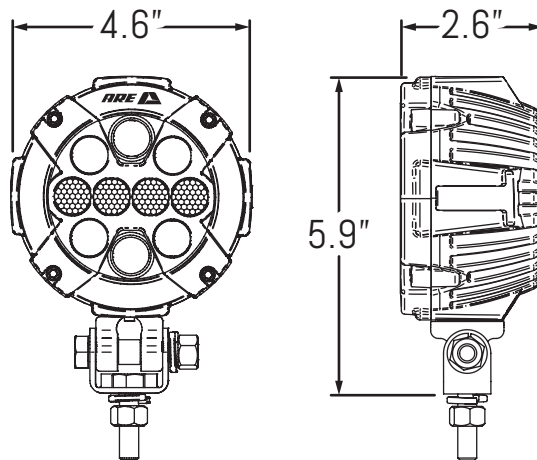
2500 LUMENS



Part #	Description	Lumens	Operating Voltage
23705-81867/H0/B	LED Round Hybrid	2500	12 - 24Vdc

Specifications:

Operating Voltage:	12 - 24Vdc
Operating Current:	1.8A @ 12Vdc 0.9A @ 24Vdc
Power Consumption:	22W
Temperature Range:	-40°C to +80°F
IP Rating:	IP68
Environmental Rating:	IP69K
Weight:	2.2lbs (1.0kg)
Housing:	Die-Cast Aluminum Black E-Coat
Lens:	Automotive Optical Grade Hard-Coated Polycarbonate
Connection:	6" Wire
Polarity:	Reverse Voltage Protected
Vibration Resistance:	10-500Hz @ 5Grms
Mounting:	Swivel Bracket
EMC Rated:	EMC EN 13309:2010



A.R.E. lighting and electronic products must be fused appropriately in all instances.



PS #10416

[View other off-road lights made by A.R.E on our website.](#)