

LED FLUSH MOUNT

SPOT OR FLOOD | 1080 LUMENS



Flush mounted compact LED work lights.
Designed to be non-intrusive while delivering powerful illumination.
Excellent for truck bumpers and utility beds.

Applications include: Trucks, Utility, Construction, Snow Removal Vehicles.

| FEATURE | BENEFIT |
|--|--|
| 6000K LED illumination | Bright, crisp white light for enhanced nighttime visibility. |
| Compact size and shape | Fits almost anywhere. Can be used for numerous lighting applications. |
| 1080 lumen output | High output illumination. Very low power consumption (16W). |
| Die-cast aluminum housing & polycarbonate lens | Rugged design. Built for extreme working conditions. |
| IP67 | Waterproof and dust protected. |
| Sold as a kit | Includes 2 lights, plug & play wire harness with switch and mounting hardware. |

LED FLUSH MOUNT

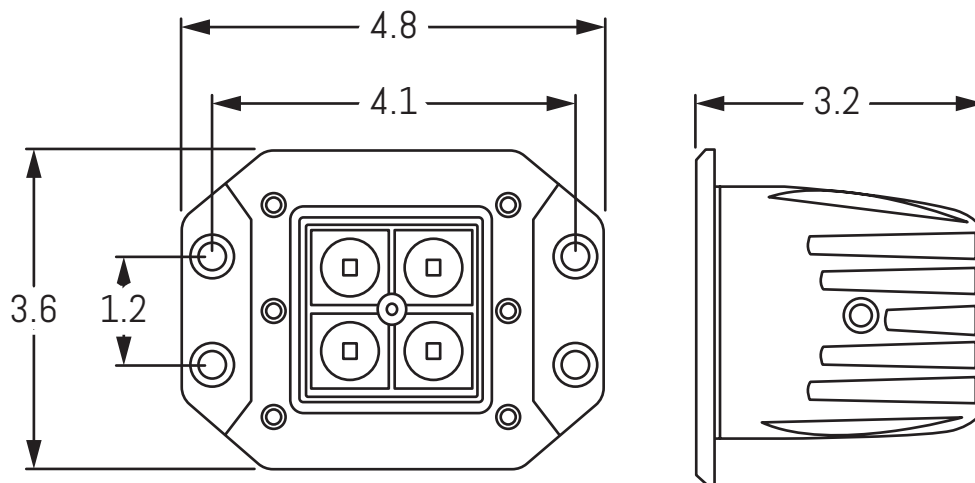
SPOT OR FLOOD | 1080 LUMENS



| Part # | Description | Lumens | Operating Voltage |
|-------------|-------------------------------------|--------|-------------------|
| 23705-81725 | LED Flush Mount Spot Lens Pair | 1080 | 12 - 24Vdc |
| 23705-81726 | LED Flush Mount Flood Lens Pair | 1080 | 12 - 24Vdc |

Specifications:

- Operating Voltage: 12 - 24Vdc
- Operating Current: 1.3A @ 12Vdc
0.7A @ 24Vdc
- Power Consumption: 16W
- Colour Temperature: 6000K
- Temperature Range: -40°C to +85°F
- IP Rating: IP67
- Weight: 1.2lbs (0.6kg)
- Housing: Die-Cast Aluminum
- Lens: Polycarbonate
- Polarity: Reverse Voltage Protected



A.R.E. lighting and electronic products must be fused appropriately in all instances. If you are in doubt, consult with an A.R.E. service representative.

NOTE: Improperly fused/installed product will invalidate the warranty.



PS #10414

Learn more about powersports lighting we have.