

# LED FLUSH MOUNT

SPOT OR FLOOD | 1080 LUMENS



Flush mounted compact LED work lights.  
Designed to be non-intrusive while delivering powerful illumination.  
Excellent for truck bumpers and utility beds.

Applications include: Trucks, Utility, Construction, Snow Removal Vehicles.

FEATURE	BENEFIT
6000K LED illumination	Bright, crisp white light for enhanced nighttime visibility.
Compact size and shape	Fits almost anywhere. Can be used for numerous lighting applications.
1080 lumen output	High output illumination. Very low power consumption (16W).
Die-cast aluminum housing & polycarbonate lens	Rugged design. Built for extreme working conditions.
IP67	Waterproof and dust protected.
Sold as a kit	Includes 2 lights, plug & play wire harness with switch and mounting hardware.

# LED FLUSH MOUNT

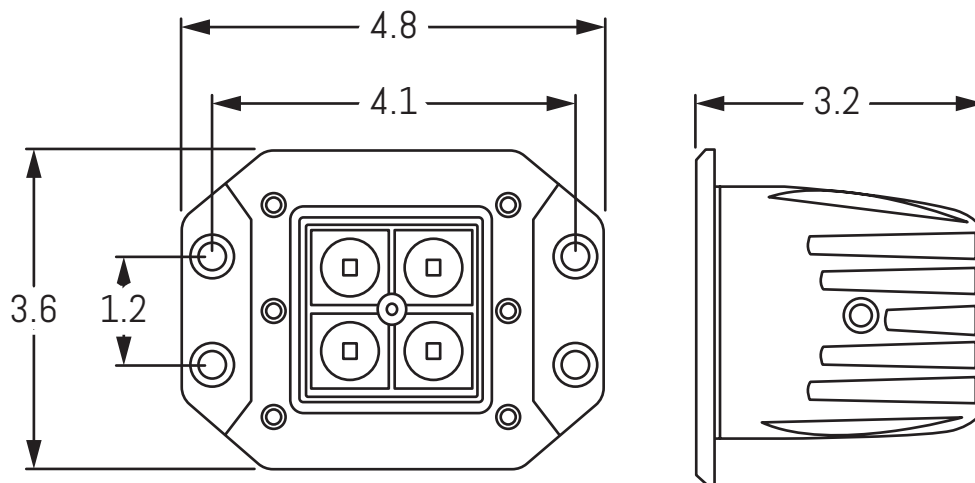
SPOT OR FLOOD | 1080 LUMENS



Part #	Description	Lumens	Operating Voltage
23705-81725	LED Flush Mount   Spot Lens   Pair	1080	12 - 24Vdc
23705-81726	LED Flush Mount   Flood Lens   Pair	1080	12 - 24Vdc

## Specifications:

- Operating Voltage: 12 - 24Vdc
- Operating Current: 1.3A @ 12Vdc  
0.7A @ 24Vdc
- Power Consumption: 16W
- Colour Temperature: 6000K
- Temperature Range: -40°C to +85°F
- IP Rating: IP67
- Weight: 1.2lbs (0.6kg)
- Housing: Die-Cast Aluminum
- Lens: Polycarbonate
- Polarity: Reverse Voltage Protected



A.R.E. lighting and electronic products must be fused appropriately in all instances. If you are in doubt, consult with an A.R.E. service representative.

NOTE: Improperly fused/installed product will invalidate the warranty.



PS #10414

Learn more about powersports lighting we have.