

LED CUBE

SPOT OR FLOOD | 1080 LUMENS



Compact and rugged high intensity LED work lights.
Use as off-road driving light, fog light or added rear lighting.

Applications include: Trucks, Utility, Construction, Snow Removal Vehicles.

FEATURE	BENEFIT
6000K LED illumination	Bright, crisp white light for enhanced nighttime visibility.
Compact size and shape	Fits almost anywhere. Can be used for numerous lighting applications.
1080 lumen output	High output illumination. Very low power consumption (16W).
Die-cast aluminum housing & polycarbonate lens	Rugged design. Built for extreme working conditions.
IP67	Waterproof and dust protected.
Sold as a kit	Includes 2 lights, plug & play wire harness with switch, mounting brackets and hardware.

LED CUBE

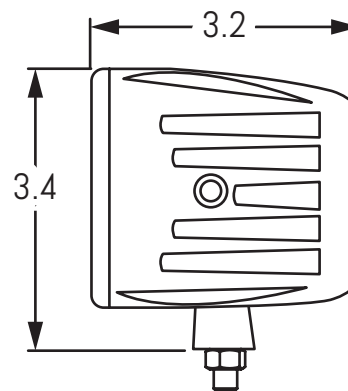
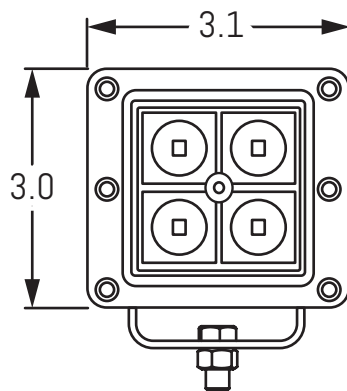
SPOT OR FLOOD | 1080 LUMENS



Part #	Description	Lumens	Operating Voltage
23705-81723	LED Cube Spot Lens Pair	1080	12 - 24Vdc
23705-81724	LED Cube Flood Lens Pair	1080	12 - 24Vdc

Specifications:

Operating Voltage:	12 - 24Vdc
Operating Current:	1.3A @ 12Vdc 0.7A @ 24Vdc
Power Consumption:	16W
Colour Temperature:	6000K
Temperature Range:	-40°C to +85°F
IP Rating:	IP67
Weight:	1.2lbs (0.6kg)
Housing:	Die-Cast Aluminum
Lens:	Polycarbonate
Polarity:	Reverse Voltage Protected
Mounting Bracket:	Stainless Steel



A.R.E. lighting and electronic products must be fused appropriately in all instances. If you are in doubt, consult with an A.R.E. service representative.

NOTE: Improperly fused/installed product will invalidate the warranty.



PS #10413

Learn more about powersports lighting we have.