

# LED WORK LIGHT

3000 LUMENS



Long lasting LED work light is energy efficient and delivers superior illumination.

Applications include: Agriculture, Mining, Construction, Forestry,  
Heavy Duty Vehicles, Military, Off-Road Vehicles.

FEATURE	BENEFIT
EPISTAR LED	Superior lighting technology.
Die-cast aluminum housing & polycarbonate lens	Rugged design. Built for extreme working conditions.
Stainless steel mounting hardware	30° tilt range for mounting flexibility. Sturdy mount.
Constant current circuit draw	Light does not dim even if voltage fluctuates.

# LED WORK LIGHT

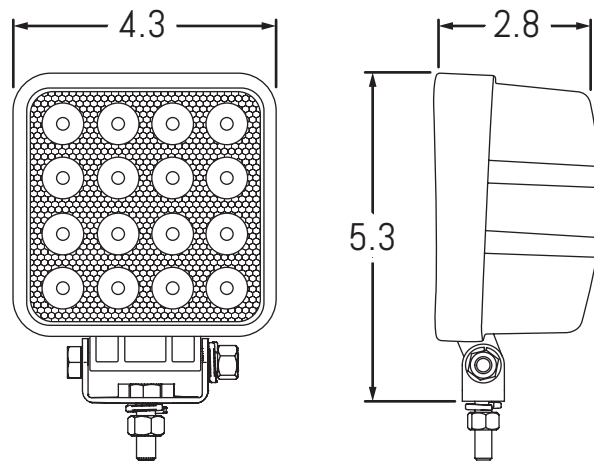
## 3000 LUMENS



Part #	Description	Lumens	Operating Voltage
23705-81258	LED Work Light	3000	12 - 24Vdc

### Specifications:

Operating Voltage:	12 - 24Vdc
Operating Current:	2.5A @ 12Vdc 1.3A @ 24Vdc
Power Consumption:	48W
Temperature Range:	-40°C to +85°F
IP Rating:	IP68
Weight:	1.8lbs (0.8kg)
Housing:	Die Cast Aluminum - Black E-Coat
Lens:	Polycarbonate
Connection:	Terminal Wires
Polarity:	Reverse Voltage Protected
Mounting:	Stainless Steel U-Bracket



A.R.E. lighting and electronic products must be fused appropriately in all instances.



PS #10419

[View other off-road lights made by A.R.E on our website.](#)