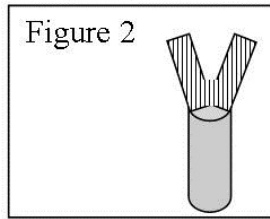
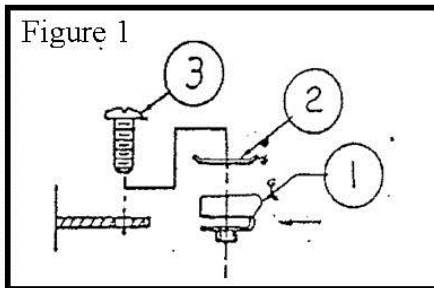


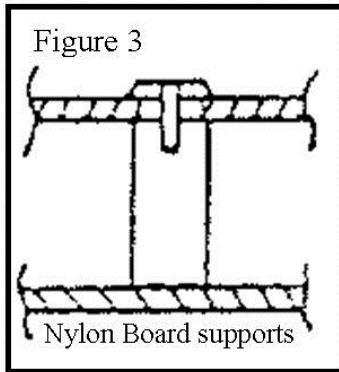


ARC High current relay module #1440

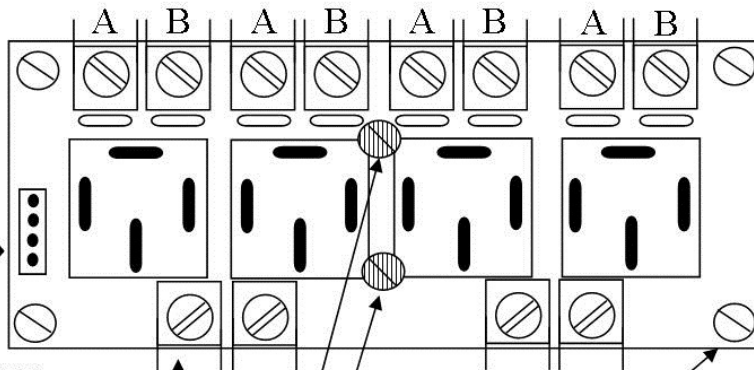
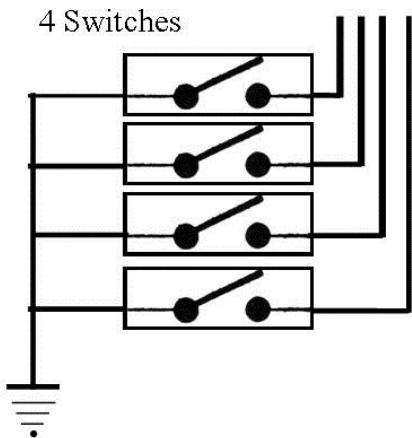
Attach the mounting hardware and replaceable connectors as shown in **Figure 1** on the circuit board. By installing 12v wire at locations marked with **A** you will be able to use fuse holders supplied on the circuit board. In other words, **A** will be fused. If your circuit is fused at another location, you can use connector **B**. If you wish to use a number # 10 gauge wire it is best to split the strands in half and slide the strands equally under each side of connector screw see **Figure 2**.



Bring 12 volts into this side see instructions above.



These 4 leads go to your switches; the other side of your switches go to ground.



See Figure 3

Unit Mounting Screws (4)

The four bottom screws on the circuit board are used to send power from the relays to the accessories you want to run. (i.e. an electric fan.)

Parts list :		
replaceable connectors	8	#1 in Figure 1
washers	8	#2 in Figure 1
screws	8	#3 in Figure 1
Relays	4	
Unit mounting screws	4	

Strip wire back 3/8 of an inch and insert under washer and tighten screws.