



4X4 ACCESSORIES



DATE:

April 2015

DESCRIPTION:

[Modular Bull Bar](#)

APPLICATION:

2015+ Chevrolet Silverado 2500HD
and 3500HD

KITS & PART NO. :

See Table

PRICING:

See Table

AVAILABILITY DATE:

In Stock



PRODUCT SPECIFICATION

DESIGN & DEVELOPMENT:

Very modern in styling yet distinctively ARB in heritage, this new Modular Bull Bar is truly innovative and utilizes a new modular design. The new Chevrolet Modular Bull Bar is the latest iteration of ARB's commitment to the full size truck market.

Three distinct configurations are available, allowing for customizing to meet individual needs or preferences. Many considerations were included in the research and development process, but first and foremost the bar needed to retain the ARB core principles of quality, reliability and practicality. This new style of Modular Bull Bar is a direct response to market research and provides features for any Chevrolet 2500HD/3500HD, no matter if it is a dedicated hunting rig that takes off for the back country, a fleet truck, or a daily driver that must be ready for any adventure.

This new design features a large split center pan, formed wings, and a center upright assembly specifically designed to match and compliment the truck's styling. The tough and rugged appearance of the Chevrolet, with its bold grille and headlights, matched with the styling of the ARB Modular Bull Bar results in a staggeringly stalwart presence that is functional no matter where the truck finds itself.

Each of the integrated features were also designed from the ground up. From the all new Integrit™ textured powder coat, the unique press formed fog light housings, and the ability to mount a variety of winches (up to a Warn 16.5ti) within the bumper, this is a completely new way to address protection.

*This Modular Bull Bar is not compatible with GMC models.

PROTECTION & STYLING CHARACTERISTICS:

- Durable steel construction for maximum protection.
- Superbly engineered, airbag compatible mounting system.
- Unique, configurable design allows for customized level of protection and appearance.
- Vehicle specific design to complement the design of 2015+ Chevrolet 2500HD/3500HD trucks.
- Vehicle specific split pan to accommodate airflow requirements and provide access to winch handle, if a winch is fitted.
- Lower protection panel included with centre pan to provide protection to the different versions of factory intercooler.
- Will accommodate Warn Heavy Weight electric winches up to the Warn 16.5ti model.
- Provided kit for mounting a hawse or roller fairlead.
- Twin Hi-Lift Jack lifting points located under the pan of the bar.
- Provision to accommodate a range of IPF & ARB Driving Lights.
- Fog lights provided as standard with each kit.
- Two antenna brackets located on the outer wing frames.
- Press formed and styled upright cover straps.

MODULAR DESIGN & KIT INFORMATION

By utilizing an innovative design, three distinct style options are available for the 2015+ Chevrolet 2500HD & 3500HD platform. Each kit represents a unique and distinctive style. With the wide range of demands put upon these trucks, no single Bull Bar style was going to work for every situation. Thus, ARB is proud to introduce an innovative solution through the use of modular customization. Each kit represents a traditional ARB Bull Bar style that has been created to specifically relate and tie into the Silverado's design.

KIT 2262010 - FULL DELUXE STYLE BULL BAR (TYPE A)

Includes the full width lower bumper replacement, center upright hoop, and outer frames. This kit provides the highest level of protection for the truck and occupants.



KIT 2262020 - SAHARA STYLE BULL BAR (TYPE B)

RETAIL PRICE: \$2,669.00

This kit adds a center upright hoop to the full width bumper. This hoop provides additional protection around the truck's grille and critical components.



KIT 2262030 - BASE STYLE BULL BAR (TYPE C)

RETAIL PRICE: \$2,066.00

This kit is a full width bumper replacement, without any uprights or outer frames. This kit provides a center pan and two outer wing sections, giving the truck an extremely robust winch platform and important impact protection.



Kit Number	Description	Retail Price	Contents
2262010	KIT CHEV TYPE A (Full Deluxe)	\$2,891.00	5262010 5162010 5137020 5162030
2262020	KIT CHEV TYPE B (Sahara)	\$2,669.00	5262010 5162010 5137020
2262030	KIT CHEVTYPE C (Base)	\$2,066.00	5262010 5162010

Kit Component Pieces	Description	Weight
5262010	Chev 15OnT/Center Pan Only	132 lbs.
5162010	L/R Wings- Suit 5262010	75 lbs.
5137020	Center Frame Hoop- Suit 5237010, 5262010	59 lbs.
5162030	Outer Frames- Suit 5262010	33 lbs.

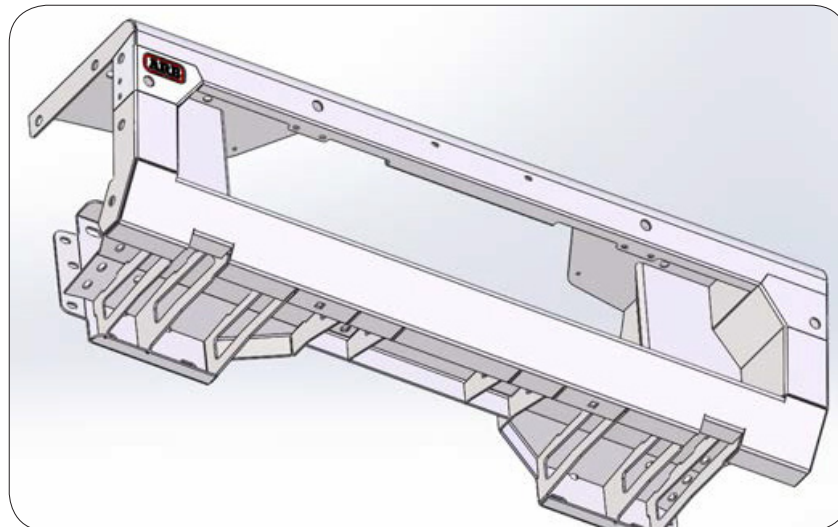
SAFETY & PROTECTION:

The flexibility of a modular design allows customers to choose among three configuration options to meet their individual needs, each of which is competitively priced. This system also allows vehicle owners to modify or upgrade the configuration, as their protection needs change.

While the bolt-on modular center upright hoop and wing system is a new direction for ARB, the engineering and development team conducted Finite Elemental Analysis (FEA) testing alongside extensive real world assessments to confirm that the system exceeds the demands that full-size truck owners' demand of their vehicles. This system saves weight and allows for customizable protection levels while providing the strength and protection that ARB Bull Bars are known for.

With an air bag equipped vehicle it is essential that the vehicle's crush rate and air bag triggering is not altered when a Bull Bar is installed. To ensure compatibility, ARB assesses each vehicle's frontal crush characteristics and replicates the crush rate into the design of each air bag compatible Bull Bar and its mounting system. This method enables engineers to achieve maximum possible vehicle and passenger protection without affecting the crash pulse. ARB has heavily invested in vehicle crash barrier tests to validate the performance and compliance of its air bag compatible bull bars, and as a consequence, our bars offer a far greater level of protection than most standard brush guards and grille guards.

This center pan design features a unique reinforced and gusseted design to match the size of the vehicle and the large frame winch fitment options.



LARGE FRAME WINCH FITMENT:

In preparation for any eventuality, this bumper system provides a winch mounting platform designed to accommodate the Warn Industries Heavy Weight winch series, through to the 16.5ti, while also having provisions for the ZEON 12. The included kit allows for the fitment of either a hawse or roller fairlead.

If no winch is to be installed, a reinforced steel screen and bracket can be fitted to achieve a clean, finished appearance.



INTEGRATED FOG LIGHTS:

Each center pan ships with a set of purpose-built 51W 9006/H4B4 halogen fog lights (3500590). The new fog lights are designed specifically for foggy and foul weather conditions. These lights have a hard coated polycarbonate lens along with an impact resistant housing. They are fully submersible and include an external gauze breather.

These lights are easily integrated into the truck's factory wiring, allowing for operation through the original equipment switch.

Press formed surrounds are incorporated into the design and construction of the Bull Bar.



DRIVING LIGHT MOUNTS:

These Modular Bull Bars feature laser cut holes in the top of the center pan for fitment of a range of compatible driving lights such as ARB Intensity LED & IPF 968, 800 & 901 series lights.



FACTORY TOW POINTS:

The fitting of the ARB Modular Bull Bar does not affect the factory tow points. The design of the Bull Bar utilizes these distinctive features of the Silverado as both OE hooks are retained in the standard location and maintain the factory tow ratings.



ANTENNA MOUNTS:

Two antenna mounts are welded to the top tube of the outer hoops to allow fitment of UHF/AM radio and CB antennas.



HI-LIFT JACK POINTS:

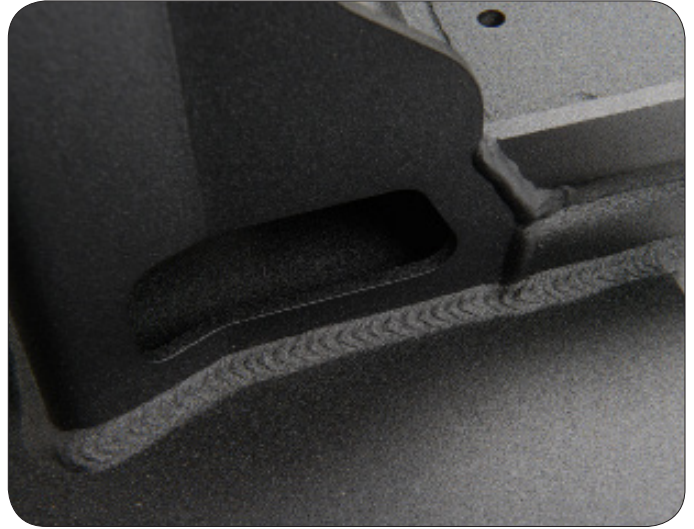
Each Modular Bull Bar comes standard with two reinforced Hi-Lift jacking points designed into the center pan.



SYNCHRO PULSE CONTROLLED WELDING:

The Modular Bull Bar construction utilizes synchro pulse controlled welding on the visible welds. This type of welding controls the molten drop transfer as current, frequency and duration of the welding arc is controlled resulting in a visually appealing weld with seam quality that is comparable with that of a TIG weld.

Each current pulse is controlled so that a single droplet of filler metal is detached each time and welding is able to be done with a constant arc length resulting in the virtually spatter free weld.



INTEGRIT™ POWDER COAT:

Manufactured in Australia, this proprietary polymer blend delivers incredible resistance to damage from sources such as road debris, surface abrasion, weathering, acid spotting, and off road usage. For improved corrosion resistance products available with Integrit™ are now pre-treated with a zinc rich powder coat primer before coating. Utilizing ARB's quality controlled pre-treatment process; the textured finish offers class leading protection, providing unparalleled corrosion resistance.

Integrit™ texture powder coated surfaces benefit from self-cleaning capabilities, with the formula incorporating a synthetic PTFE wax for resistance against dirt and road grime. The coating is easily cleaned with a mild wash solution.

