



iRunning Board Installation Instruction

Application: For 2016-2018 MERCEDES BENZ METRIS CARGO VAN

PARTS LIST:

1	Driver/left Running Board (Short)	5	M10 Hex Nuts
1	Passenger/right Running Board (Long)	5	M10 Lock Washers
1	Driver/Left Side Front Bracket(DFM)	10	M8 Flat Washers
1	Driver/Left Side Rear Bracket(DRM)	5	M8 Lock Washers
1	Passenger Front Mounting Brackets(PFM)	5	M8 x 25 Hex Bolts
1	Passenger Center Mounting Brackets(PCM)	5	M8 Hex Nuts
1	Passenger Rear Mounting Bracket(PRM)	30	M6 Flat Washers
3	Driver Support Brackets (DFS/DRS/PRS)	10	M6x1- 25 Hex Bolts
2	Passenger Front and Center Support Brackets(PFS/PCS)	10	M6 Hex Nuts
5	M10X35 Bolt Plates	10	M6 Nylon Lock Nuts
5	10mm Plastic Retainers	10	M6 Lock Washers
5	M10 Flat Washers	10	M6x1- 20 T-Bolts



PROCEDURE:

REMOVE CONTENTS FROM BOX. VERIFY ALL PARTS ARE PRESENT. READ INSTRUCTIONS CAREFULLY BEFORE STARTING INSTALLATION. DRILLING IS REQUIRED. ASSISTANCE IS RECOMMENDED.

1. Starting on the passenger/right side of the vehicle, locate the factory hole in the inner body panel closest to the front tire opening, **(Figure 1)**. Remove the rubber plug. **NOTE:** Mounting locations may be covered with heavy undercoating.
2. Select (1) 10mm Bolt Plate and (1) 10mm Plastic Retainer, **(Figure 2)**. Partially thread the Retainer onto the Bolt Plate. Insert Bolt Plate into the hole in the inner body panel, **(Figure 3)**. Once the Bolt Plate is inserted, hold the Bolt end with one hand and tighten the Plastic Retainer with your other hand until it is tight against the body panel. **IMPORTANT:** The Plastic Retainer is designed to prevent the Bolt Plate from falling into the body panel and to aid in Bracket installation.
3. Select (1) Passenger/right Front or Center Mounting Bracket, **(Figure 4)**. Attach the Bracket to the Bolt Plate with (1) 10mm Flat Washer, (1) 10mm Lock Washer and (1) 10mm Hex Nut, **(Figures 5 & 6)**. Do not tighten hardware at this time.
4. Next, select (1) Passenger/right Front and Center Support Bracket. Attach the Support Bracket to the back of the front Mounting Bracket with (1) 8mm x 25mm Hex Bolt, (2) 8mm Flat Washers, (1) 8mm Lock Washer and (1) 8mm Hex Nut, **(Figures 4—6)**. Line up the mounting flange on the Support Bracket with the back of the pinch weld, **(Figure 6)**.
5. Repeat **Steps 2—5** to install the passenger side center Bracket and Support Bracket, **(Figure 14)**.
6. Move along the body to the last mounting hole close to the rear tire opening, **(Figure 7)**. Repeat **Steps 2—5** to install the unique passenger/right rear Mounting Bracket., **(Figures 8 & 9)**

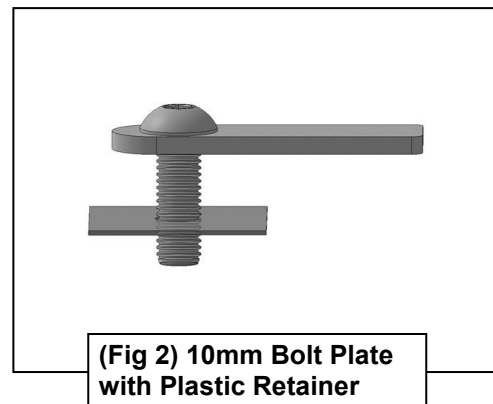
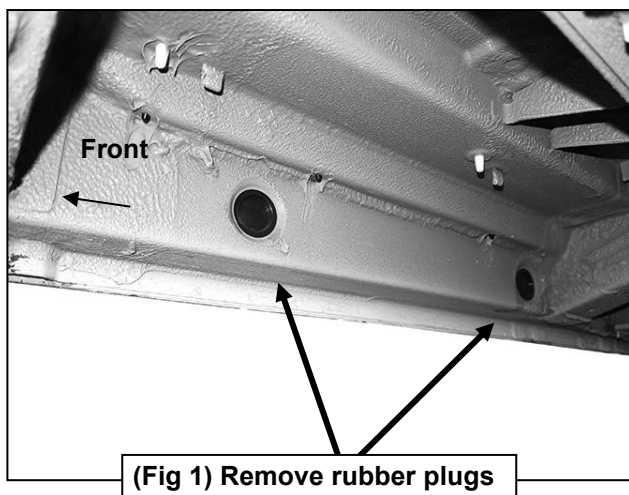
iRunning Board Installation Instruction

Application: For 2016-2018 MERCEDES BENZ METRIS CARGO VAN

7. Select the long passenger side Running Board. Place the Running Board on top of the (3) Brackets. Select (6) 6mm T-Bolts, **(Figure 10)**. Locate the channels in the bottom of the Running Board, **(Figure 11)**. Insert the T-Bolts into the channels in the bottom of the Running Board closest to the Brackets. Lift the Running Board up and guide the studs down through the Brackets.
8. Attach the Running Board to the Brackets with (6) 6mm Flat Washers, (6) 6mm Nylon Lock Nuts, **(Figure 12)**. **NOTE:** The Running Board is designed to fit close to the vehicle. It may be necessary to loosen the Brackets and tilt the Brackets downward to insert the Running Board between the Brackets and the body. Level and adjust the Running Board and fully tighten all hardware.
9. Level and adjust the Running Board and fully tighten the Bracket to vehicle hardware only.
10. Make sure the Brackets are level to the vehicle. Line up the slots on each Support Bracket with the back of the pinch weld. Mark the location of the slots onto the pinch weld, **(Figure 13)**. **IMPORTANT:** Do not drill too close to the bottom edge of the pinch weld. Adjust Support Brackets and/or Mounting Brackets to move slot in support bracket up away from the bottom edge of the pinch weld.
11. Once the Running Board and Brackets are properly adjusted and slot locations marked, remove the Running Board and Support Brackets. Use a 1/4" drill bit to drill the (2) holes through the pinch weld for each Support Bracket, **(Figure 13)**. **NOTE:** Drill holes toward outer ends of slot. Avoid drilling through welds in pinch weld.
12. Attach each Support Bracket to the pinch weld with (2) 6mm Hex Bolts, (4) 6mm Flat Washers, (2) 6mm Lock Washers and (2) 6mm Hex Nuts, **(Figures 14, 15, 18 & 19)**. Repeat this Step to attach all Support Brackets. Tighten the hardware attaching the Support Brackets to the vehicle only.
13. Move to the driver side of the vehicle, **(Figure 16)**. Repeat **Steps 2—5** to install the driver side front and rear Mounting Brackets and Support Brackets, **(Figures 17—19)**. **NOTE:** The Driver side front and rear Brackets are not identical.
14. Select the driver/left Running Board. Repeat **Steps 8—13** to drill the pinch weld and to install the Running Board.
15. Check the driver/left Running Board for level then fully tighten all hardware. **NOTE: Torque all M6 nylon lock nuts to 7 lb-ft.**
16. Do periodic inspections to the installation to make sure that all hardware is secure and tight.

To protect your investment, wax this product after installing. Regular waxing is recommended to add a protective layer over the finish. Do not use any type of polish or wax that may contain abrasives that could damage the finish. Use Mild soap to clean the Running Board.

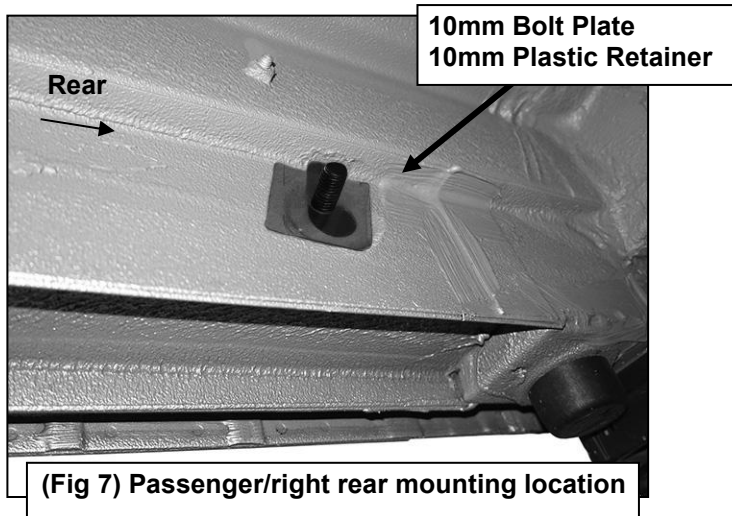
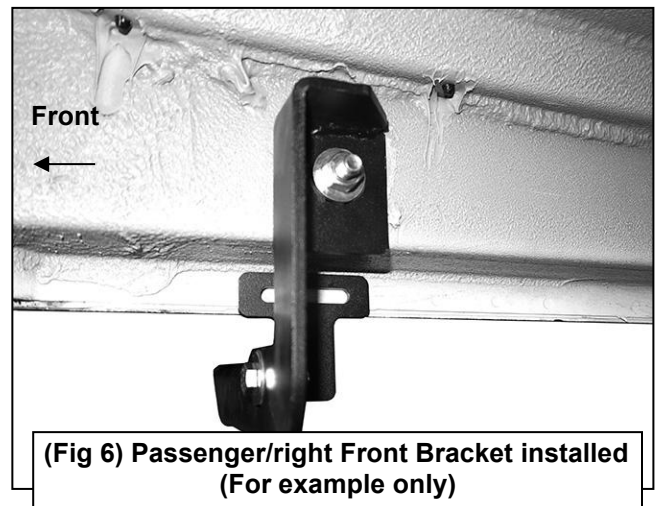
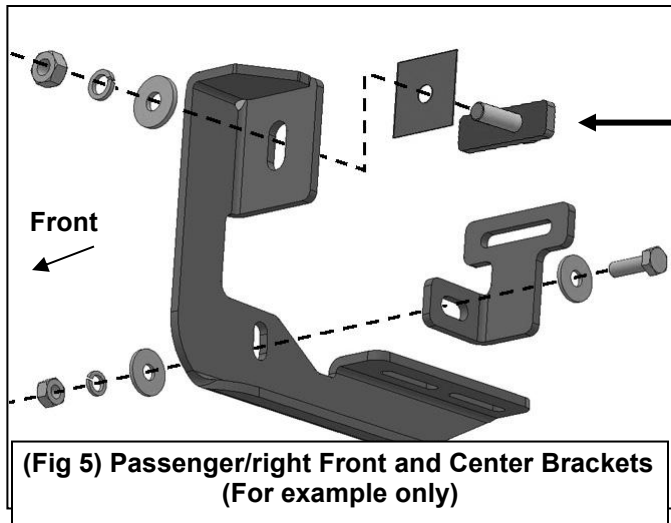
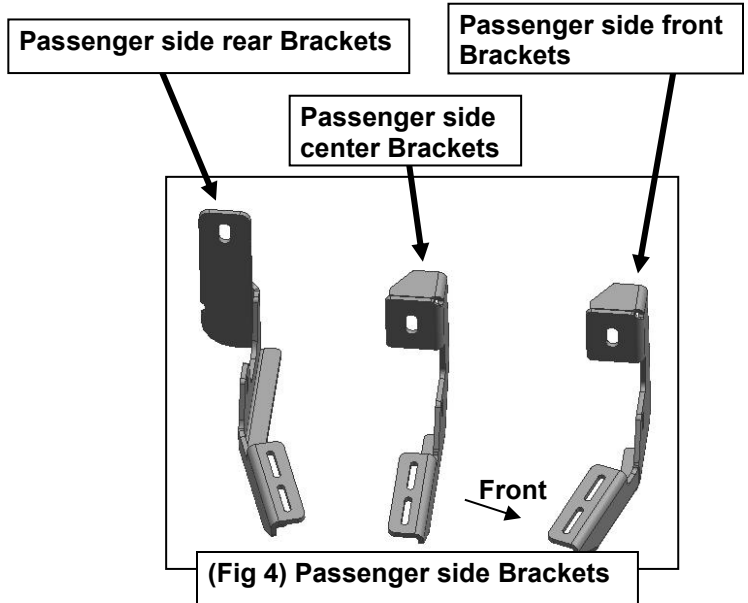
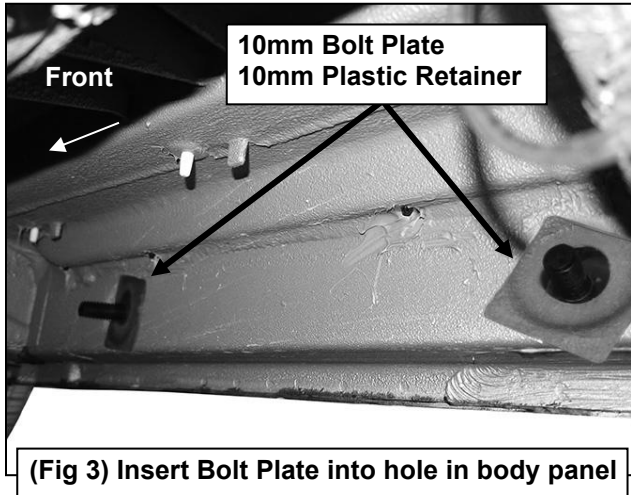
Passenger Side Installation Pictured



iRunning Board Installation Instruction

Application: For 2016-2018 MERCEDES BENZ METRIS CARGO VAN

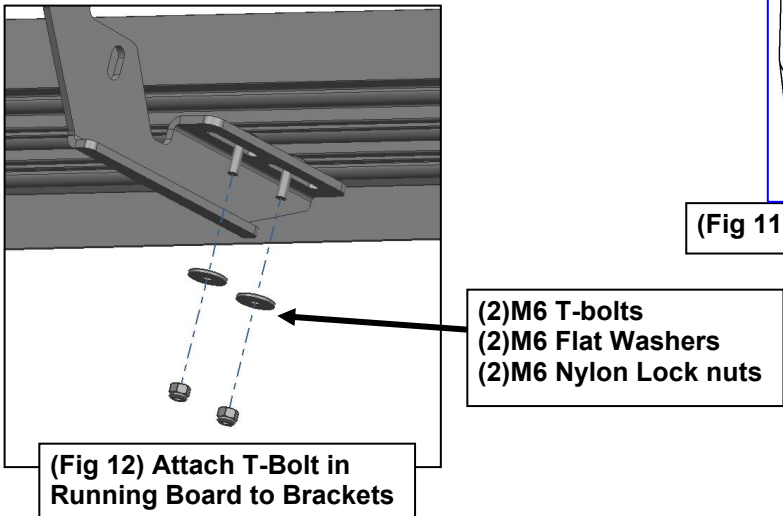
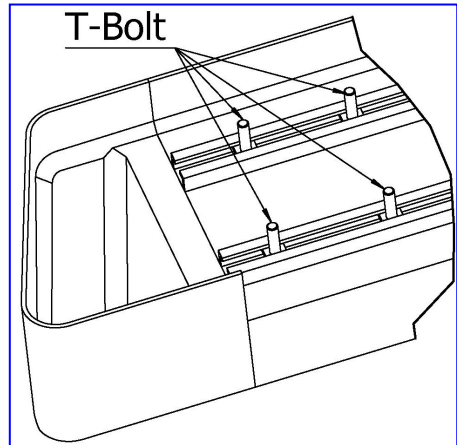
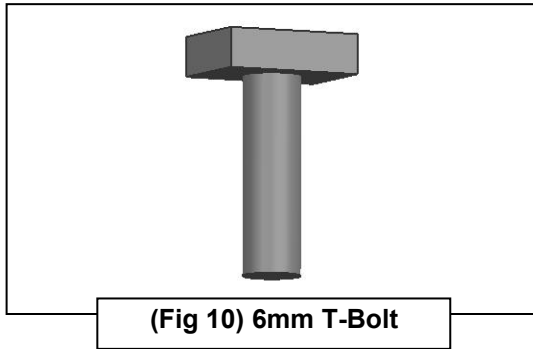
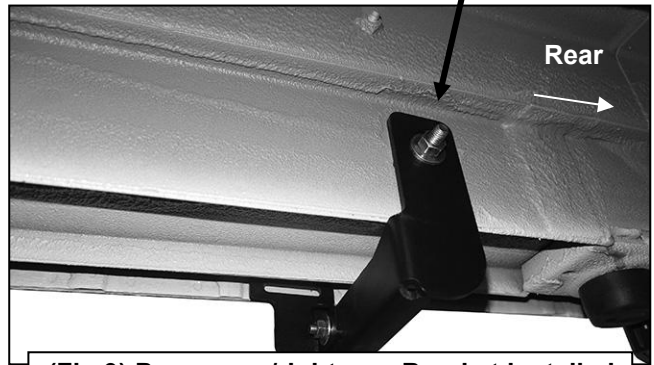
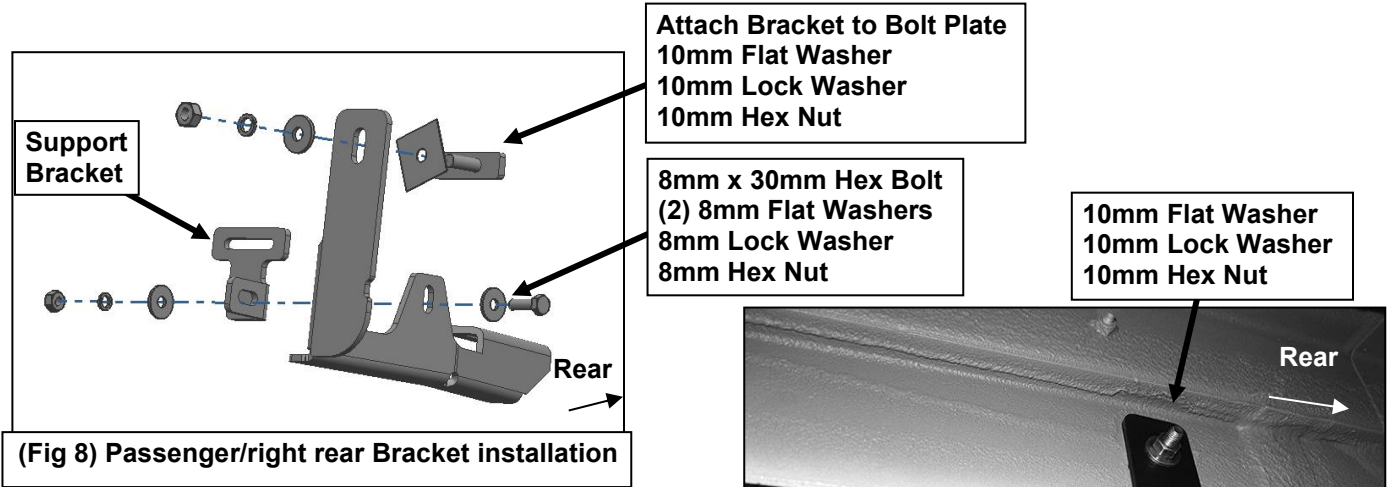
Passenger Side Installation Pictured



iRunning Board Installation Instruction

Application: For 2016-2018 MERCEDES BENZ METRIS CARGO VAN

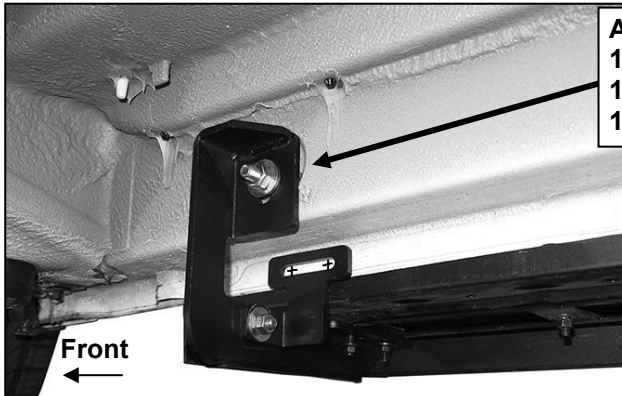
Passenger Side Installation Pictured



iRunning Board Installation Instruction

Application: For 2016-2018 MERCEDES BENZ METRIS CARGO VAN

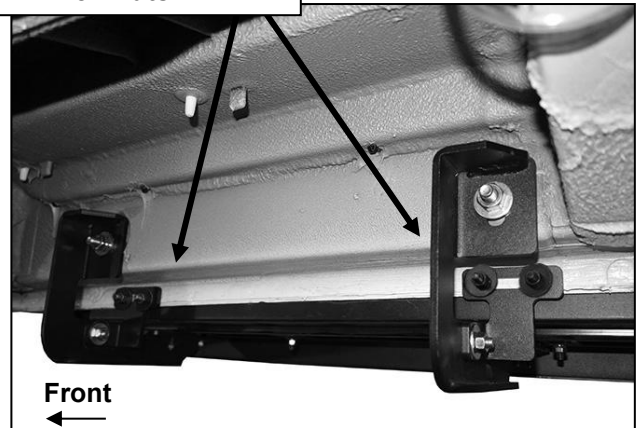
Passenger Side Installation Pictured



Attach Bracket to Bolt Plate
10mm Flat Washer
10mm Lock Washer
10mm Hex Nut

(Fig 13) Mark location of each Support Bracket onto pinch weld before drilling 1/4" holes
(For example only)

(2) 6mm x 25mm Hex Bolts
(4) 6mm Flat Washers
(2) 6mm Lock Washers
(2) 6mm Hex Nuts



(Fig 14) Attach Support Brackets to pinch weld
(front and center Brackets pictured)
(For example only)

(2) 6mm x 25mm Hex Bolts
(4) 6mm Flat Washers
(2) 6mm Lock Washers
(2) 6mm Hex Nuts

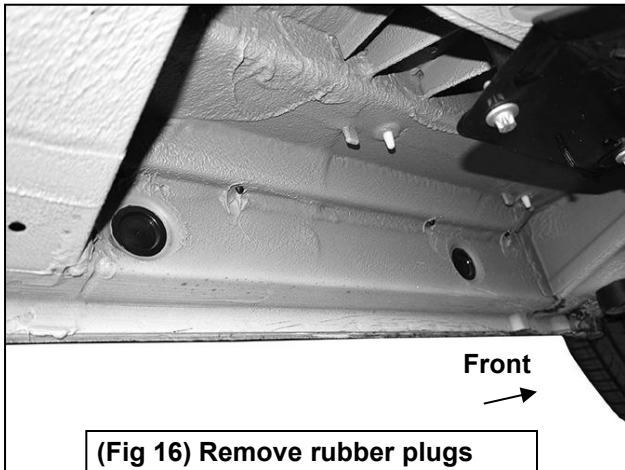


(Fig 15) Attach Support Bracket to pinch weld
(passenger/right rear Bracket pictured)
(For example only)

iRunning Board Installation Instruction

Application: For 2016-2018 MERCEDES BENZ METRIS CARGO VAN

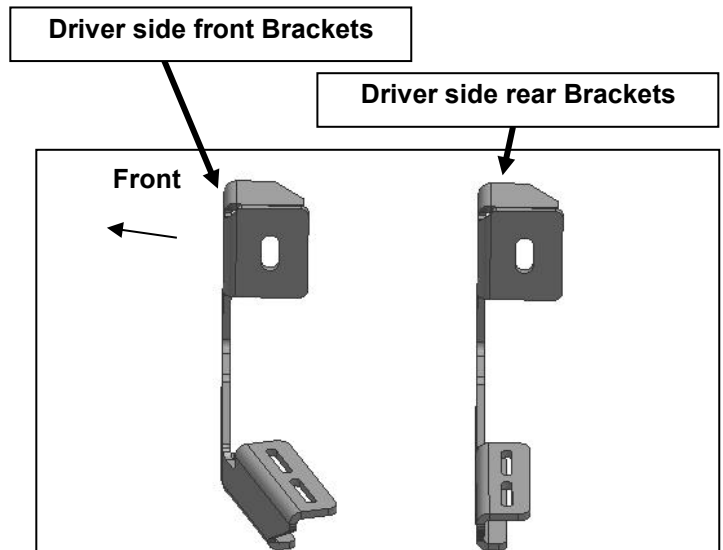
Driver Side Installation Pictured



(Fig 16) Remove rubber plugs
(driver/left side location pictured)



(Fig 18) Driver/left Front Brackets installed
(For example only)



(Fig 17) Driver/left Mounting Bracket and
Support Bracket (driver side front and
rear Brackets are not identical)



(Fig 19) Driver/left side rear Brackets installed
(For example only)