



**iBoard™**

## Installation Instructions for IB-ZK406

iBoard™ by APS Auto Parts Specialist Inc.

Application: For 2016-2018 MERCEDES-BENZ METRIS CARGO VAN

Estimated Time: 1 to 2 hours

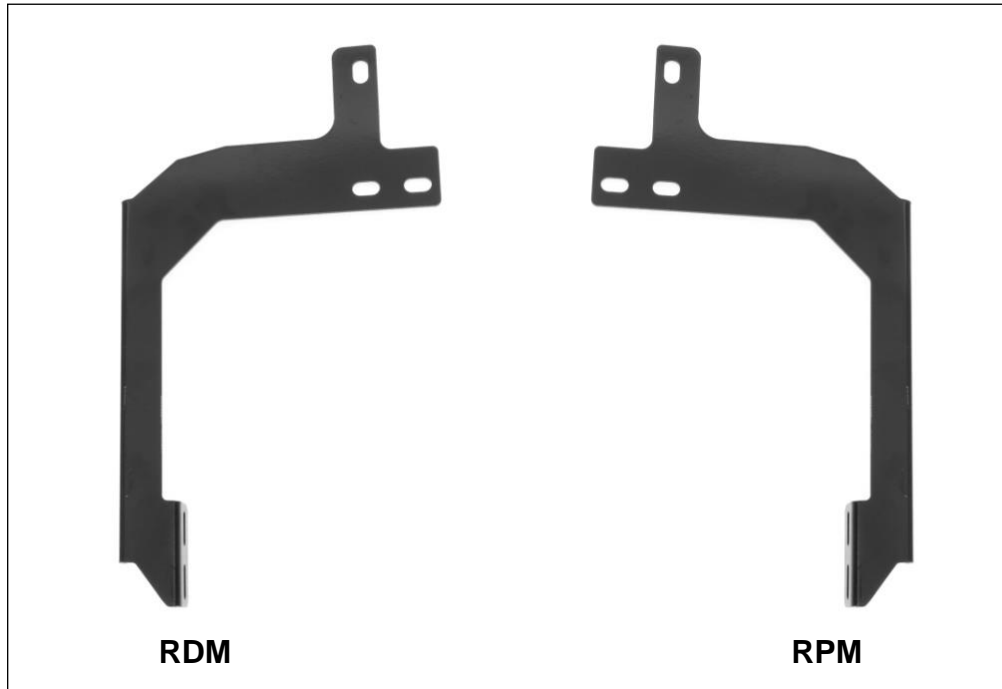


Disclaimer: Instructions intended for persons aged 18+ please do not attempt without adult supervision. Instructions are not intended to replace professional installation. Damage from improper installation, misuse or modification to the product voids the manufacturer's warranty.

**iBoard™**

**PARTS LIST:**

Item	QTY	Description	Item	QTY	Description
#01	1	Rear Step	#06	6	M12x1.75 Nylon Lock Nuts
#02	1	Driver/left Frame Mounting Bracket(RDM)	#07	4	M6X1.0 Nylon Lock Nuts
#03	1	Passenger/right Frame Mounting Bracket(RPM)	#08	4	M6X1.0 - 20mm T-Bolts
#04	6	M12 x1.75 - 90mm Hex Bolts	#09	4	M6 Flat Washers
#05	12	M12 Flat Washers			



**PROCEDURE:**

**REMOVE CONTENTS FROM BOX. VERIFY ALL PARTS ARE PRESENT. READ INSTRUCTIONS CAREFULLY BEFORE STARTING INSTALLATION. ASSISTANCE IS RECOMMENDED. LET EXHAUST COOL COMPLETELY BEFORE INSTALLATION.**

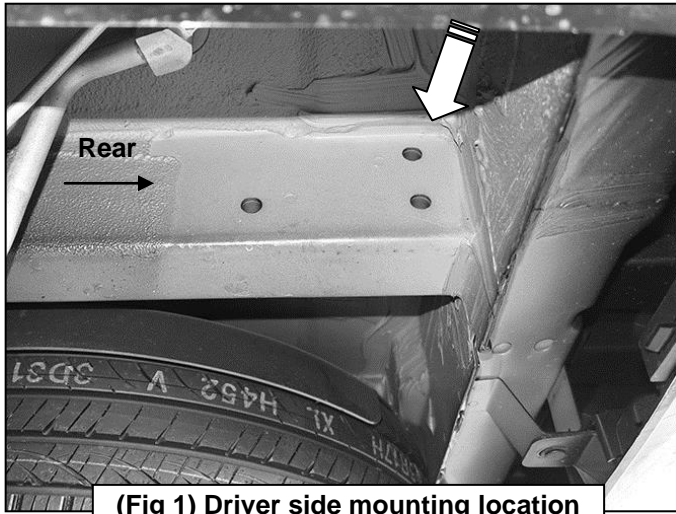
1. Start the installation under the driver side, rear of the vehicle, **(Figure 1)**. Locate the (3) mounting holes in the frame.
2. Select the driver/left Frame Bracket. Attach the Bracket to the outside of the frame with the included (3) M12 Hex Bolts, (6) M12 Flat Washers and (3) M12 Nylon Lock Nuts, **(Figures 2 & 3)**. Do not fully tighten hardware at this time.
3. Repeat **Steps 1 & 2** to install the passenger side Frame Bracket.
4. Select the Rear Step. Slip (2)M6 T-bolts into each bottom channel **(Figure 4)**. Carefully position the Rear Step onto the (1) Mounting Brackets. **IMPORTANT:** Do not slide, (front to back), the Rear Step on the Brackets or damage to the finish may result. Attach the Rear Step to Mounting Brackets with (2)M6 T-bolts, (2)M6 flat washers and (2)M6 nylon lock nuts **(Figure 5)**. Do not tighten at this time.
5. Align and adjust the Rear Step as necessary and fully tighten all hardware. **NOTE: Torque all M6 nylon lock nuts to 7 lb-ft.**
6. Do periodic inspections of the installation to make sure that all hardware is secure and tight.

**To protect your investment**, wax this product after installing. Regular waxing is recommended to add a protective layer over the finish. Do not use any type of polish or wax that may contain abrasives that could damage the finish.

**For Polished Finishes:** Aluminum polish may be used to polish small scratches and scuffs on the finish. Mild soap may be used also to clean the Rear Step.

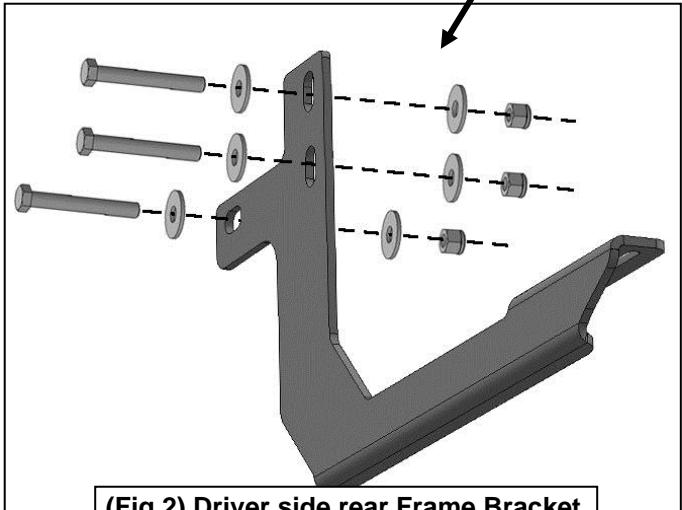
For Black Finishes: Mild soap may be used to clean the Rear Step.

**Driver/left Side Installation Pictured**

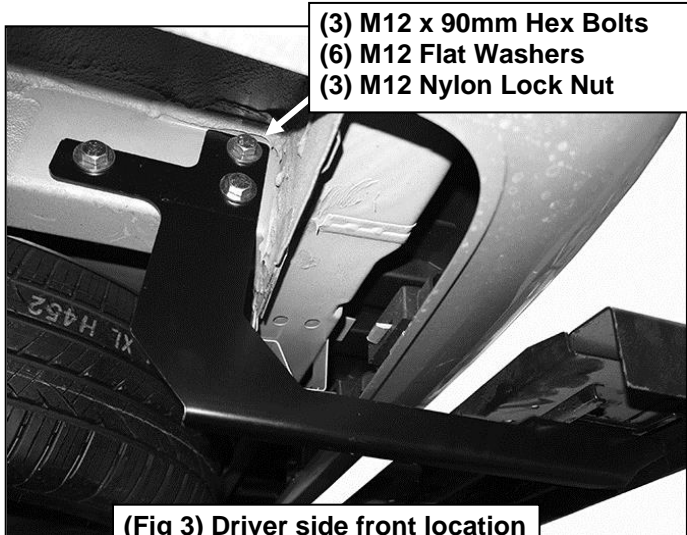


(Fig 1) Driver side mounting location

- (3) M12 x 90mm Hex Bolts
- (6) M12 Flat Washers
- (3) M12 Nylon Lock Nut

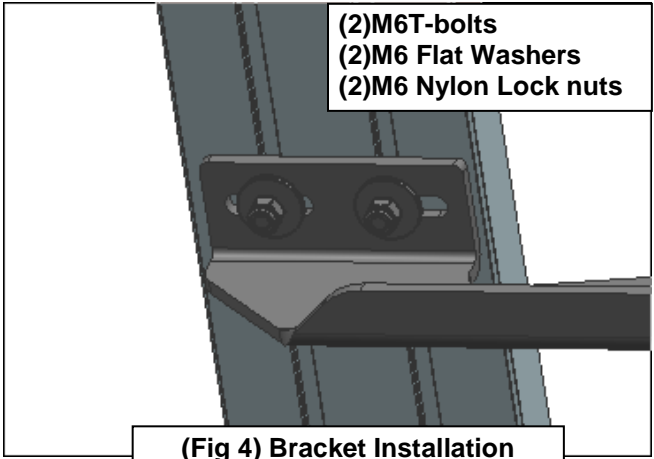


(Fig 2) Driver side rear Frame Bracket

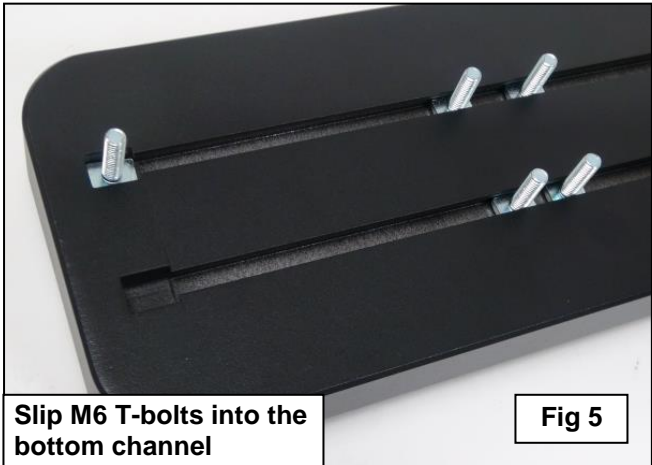


(Fig 3) Driver side front location

- (2)M6T-bolts
- (2)M6 Flat Washers
- (2)M6 Nylon Lock nuts



(Fig 4) Bracket Installation



Slip M6 T-bolts into the bottom channel

Fig 5