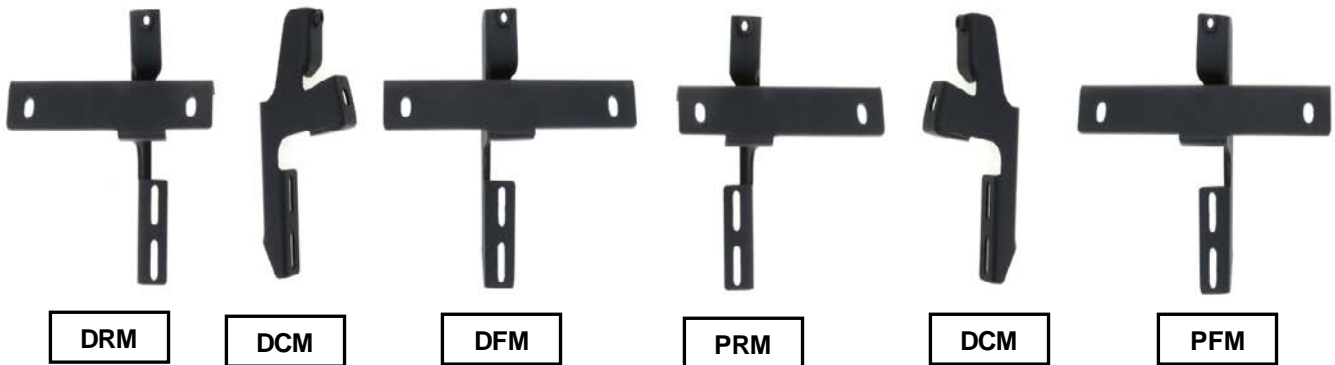


Item	Part Name	QTY	Item	Part Name	QTY
1	Driver side running board	1	10	M10 Bolt Plates	10
2	Passenger side running board	1	11	M10 Hex Bolts	6
3	Driver Front Mounting Bracket (DFM)	1	12	M10 Flat Washers	16
4	Passenger Front Mounting Bracket (PFM)	1	13	M10 Lock Washers	16
5	Driver Center Mounting Bracket (DCM)	1	14	M10 Hex Nuts	16
6	Passenger Center Mounting Bracket (PCM)	1	15	M6 Square Hex Bolts	12
7	Driver Rear Mounting Bracket (DRM)	1	16	M6 Flat Washers	12
8	Passenger Rear Mounting Bracket (PRM)	1	17	M6 Nylon Lock Nuts	12
9	Support Plates	6			



Step	Installation Instruction
1	REMOVE CONTENTS FROM BOX. VERIFY ALL PARTS ARE PRESENT. READ INSTRUCTIONS CAREFULLY BEFORE STARTING INSTALLATION.
2	Start on the passenger side of the vehicle, locate the (9) rubber plugs along the lower body panel. From the front ,remove the 3rd and 4rd round plugs (Figure 1) . Select (2) Bolt plates, (Figure 2) . Check the location for body sealant and scrape away excess as necessary, (Figure 3) . Insert each Bolt Plate into the factory hole with the long end of the plates facing each other, (Figure 1&3) . Hold a Front Bracket over the Bolt Plates and line up the (2) mounting holes, (Figure 4) . Secure the Bracket to the Bolt Plates with (2) M10 Flat Washer, (2) M10 Lock Washer and (2) M10 Hex Nuts, (Figure 4) . Snug but do not tighten hardware at this time.
3	Next, select (1) Support Plate, (1) M10 Hex Nut and (1) M10 Hex Bolt, (Figure 5) . Thread the M10 Hex Nut all the way down the long Hex Bolt. Screw the Hex Bolt and Nut a few threads into and through the Nut welded onto the back tab on the front Bracket. Insert the Support Plate with the welded socket facing down, into the space between the Front Bracket and the floor panel behind the pinch weld, (Figure 4 5 &12) . Tighten the Hex Bolt into the socket on the Support Plate until the Plate is close to but not touching the floor panel. Do not tighten hardware at this time.
4	Next, remove the rubber plug in the 5th (next) hole along the body panel. Repeat Steps 2-3 to install the center Bracket, (Figure 6&7) .

The instruction here is for your reference only. We strongly recommend the professional installer for best result. We are not responsible for any damage caused by the installation. Thank you for choosing our product!

iRunning Board Installation Instruction

Application: FOR 2014-2017 Toyota Highlander

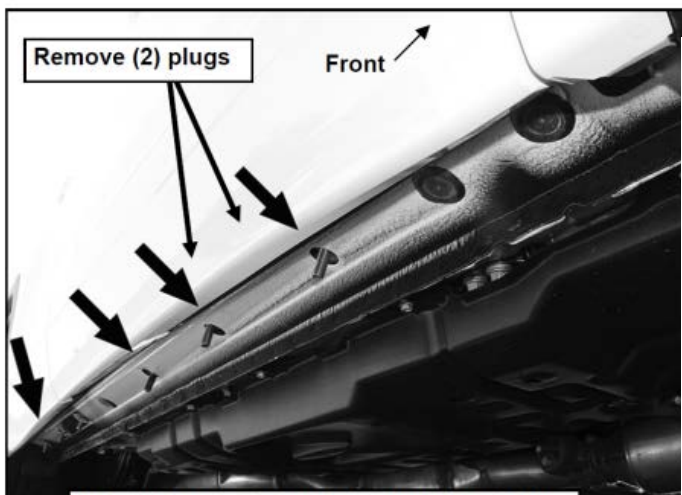
REV: 20170601

5	Continue along the body to the 7th and 8th rubber plugs, (Figure 6) . Repeat Step 2-3 to install the passenger side rear Bracket, (Figure 8&9) . NOTE: Rear Brackets are offset towards the rear of the vehicle, (Figure 8) .
6	Carefully unwrap the passenger side Running Board. From the front, slide (3) Square Hex Bolt into each channel in the bottom of the Running Board, (Figure 10) . Slide the Square Hex Bolt forward or back to line up with the (3) previously installed Mounting Bracket. Hold the Running Board up to the vehicle at a slight angle and gently push it into position against the rocker panel. Loosen Brackets if necessary. Insert the Square Hex Bolt through the slot in the Brackets, (Figure 11) .
7	Attach the Running Board to the Mounting Brackets with the included (6) 6mm Flat Washers, (6) 6mm Lock Washers and (6) 6mm Nylon Lock Nuts, (Figure 11) . Leave hardware loose at this time.
8	Note that each Bracket has a small amount of height and angle adjustment. A. Check to see if the Running Board is level to the car, front to rear, not level to the ground. To adjust the height of the Bracket, loosen the 10mm Bracket hardware and slide the Brackets hardware and slide the Brackets up or down the lower body panel. Once level, tighten the 10mm Bolt Plate to Bracket hardware only. The Hex Bolt on the back of the Mounting Bracket for the Support Plate should be completely loose at this time. B. Next, check for level to the ground, side to side only. If the outside edge of the running board is tilted down, tighten the long 10mm Hex Bolts on the back of the (3) Mounting Brackets evenly until the Running Board is level, (Figure 11&12) . If the Running Board is tilted up, loosen the Hex Bolt in the Support Plate a little until the Running Board is level. Once level, tighten all hardware.
9	Repeat Steps 2 - 8 for the driver side Running Board installation.
10	Do periodic inspections to the installation to make sure that all hardware is secure and tight.

To protect your investment: wax this product after installing. Regular waxing is recommended to add a protective layer over the finish. Do not use any type of polish or wax that may contain abrasives that could damage the finish.

For Aluminum Alloy: Aluminum polish may be used to polish small scratches and scuffs on the finish. Mild soap may be used also to clean the Running Board.

For gloss black finishes: Mild soap may be used to clean the Running Board Brackets.



(Fig 1) Use the 3rd and 4th mounting hole from the front fender opening for passenger front Mounting Bracket location



(Fig 2) 10mm Bolt Plate

The instruction here is for your reference only. We strongly recommend the professional installer for best result. We are not responsible for any damage caused by the installation. Thank you for choosing our product!

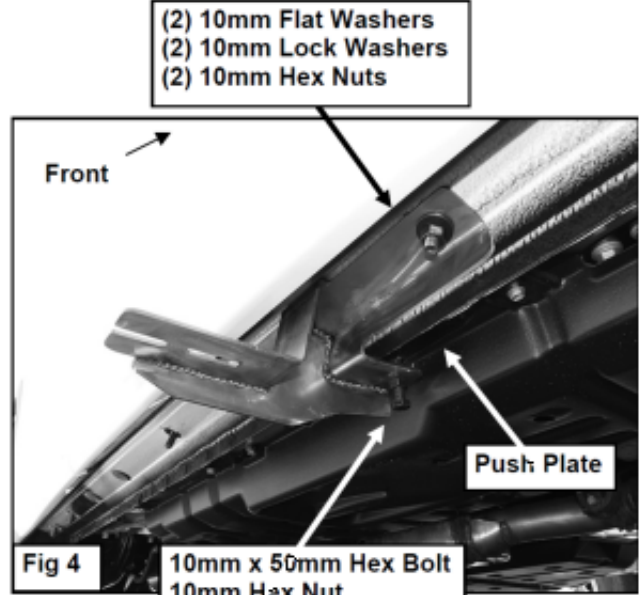
iRunning Board Installation Instruction

Application: **FOR 2014-2017 Toyota Highlander**

REV: 20170601



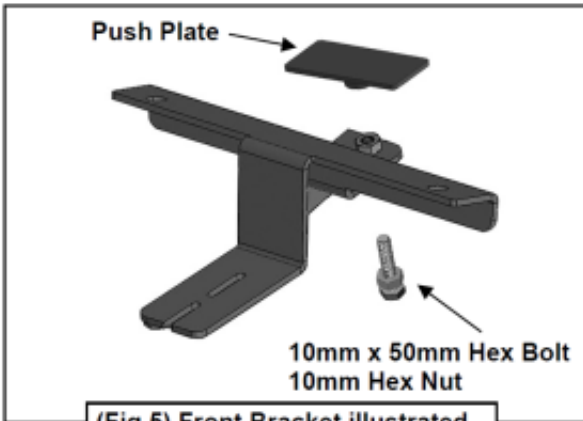
from all locations before installing Brackets



- (2) 10mm Flat Washers
- (2) 10mm Lock Washers
- (2) 10mm Hex Nuts

Fig 4

- 10mm x 50mm Hex Bolt
- 10mm Hex Nut



(Fig 5) Front Bracket illustrated

Mounting location for Rear Bracket (use last 2 holes along body)

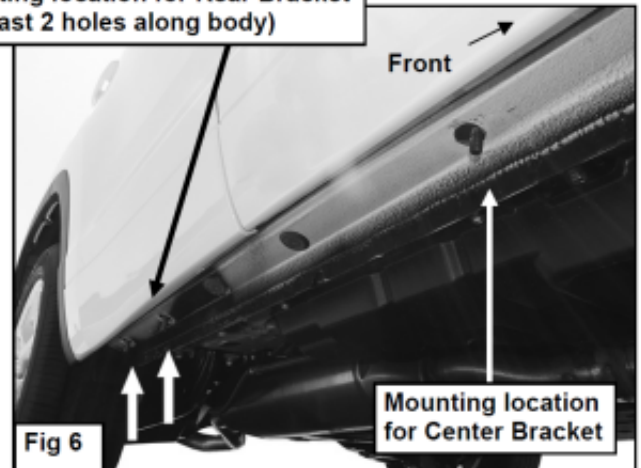
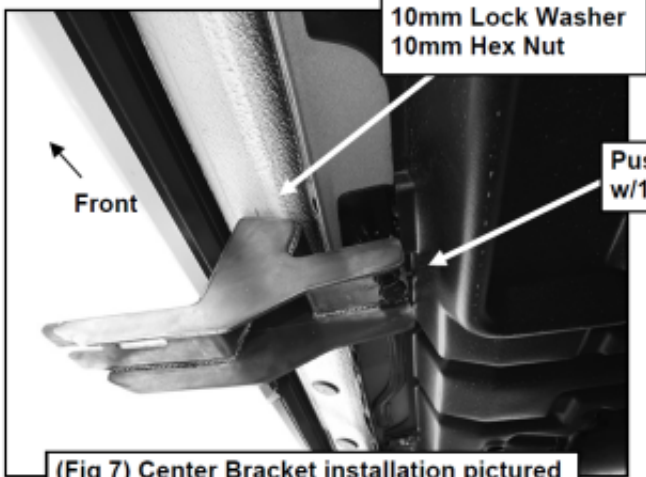
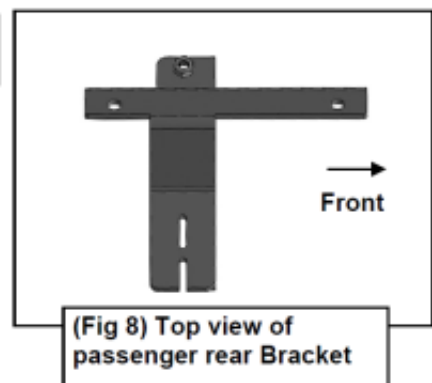


Fig 6

Mounting location for Center Bracket



(Fig 7) Center Bracket installation pictured



(Fig 8) Top view of passenger rear Bracket

The instruction here is for your reference only. We strongly recommend the professional installer for best result. We are not responsible for any damage caused by the installation. Thank you for choosing our product!

iRunning Board Installation Instruction

Application: FOR 2014-2017 Toyota Highlander

REV: 20170601

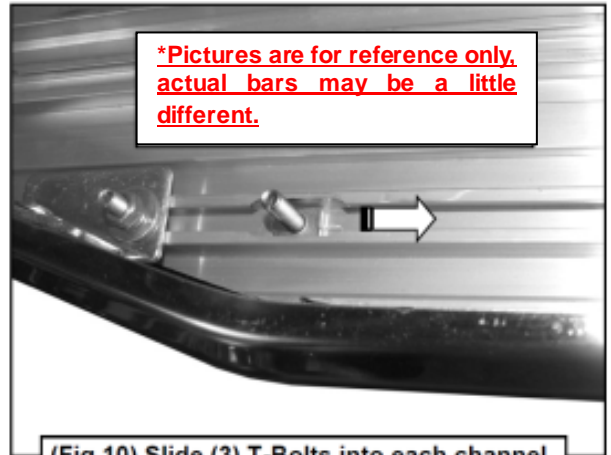
Push Plate w/10mm Hex Bolt



(2) 10mm Flat Washers
(2) 10mm Lock Washers
(2) 10mm Hex Nuts

(Fig 9) Passenger rear Bracket with Running Board

*Pictures are for reference only, actual bars may be a little different.



(Fig 10) Slide (3) T-Bolts into each channel

(2) 6mm Flat Washers
(2) 6mm Lock Washers
(2) 6mm Nylon Lock Nuts

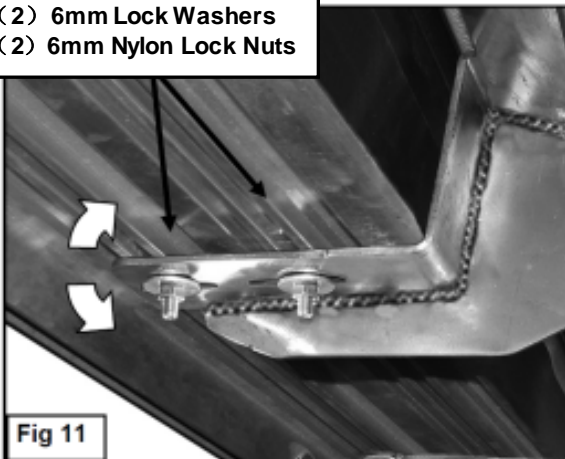


Fig 11

Tighten the 10mm x 50mm Hex Bolt against the Push Plate on each Bracket until the Bracket is level to the ground and Running Board. Once properly adjusted, tighten the 10mm Jam Nut to lock adjustment in place (Figure 12)

*Pictures are for reference only, actual bars may be a little different.



Complete Installation

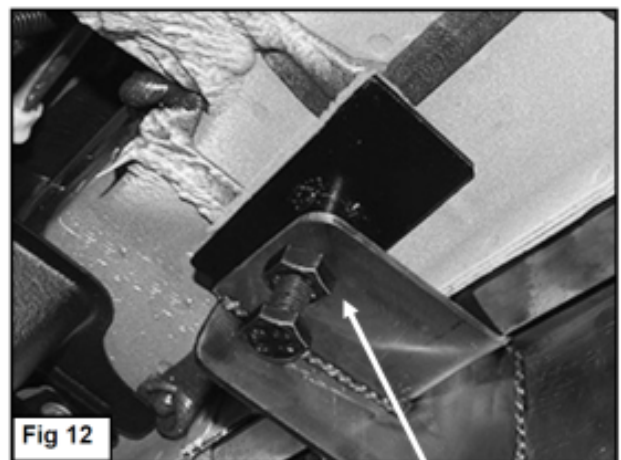


Fig 12

Tighten 10mm Jam Nut to lock adjustment in place

The instruction here is for your reference only. We strongly recommend the professional installer for best result. We are not responsible for any damage caused by the installation. Thank you for choosing our product!

iRunning Board Installation Instruction

Application: FOR 2014-2017 Toyota Highlander

REV: 20170601



The instruction here is for your reference only. We strongly recommend the professional installer for best result. We are not responsible for any damage caused by the installation. Thank you for choosing our product!

Discover other running boards and step bars on our website.