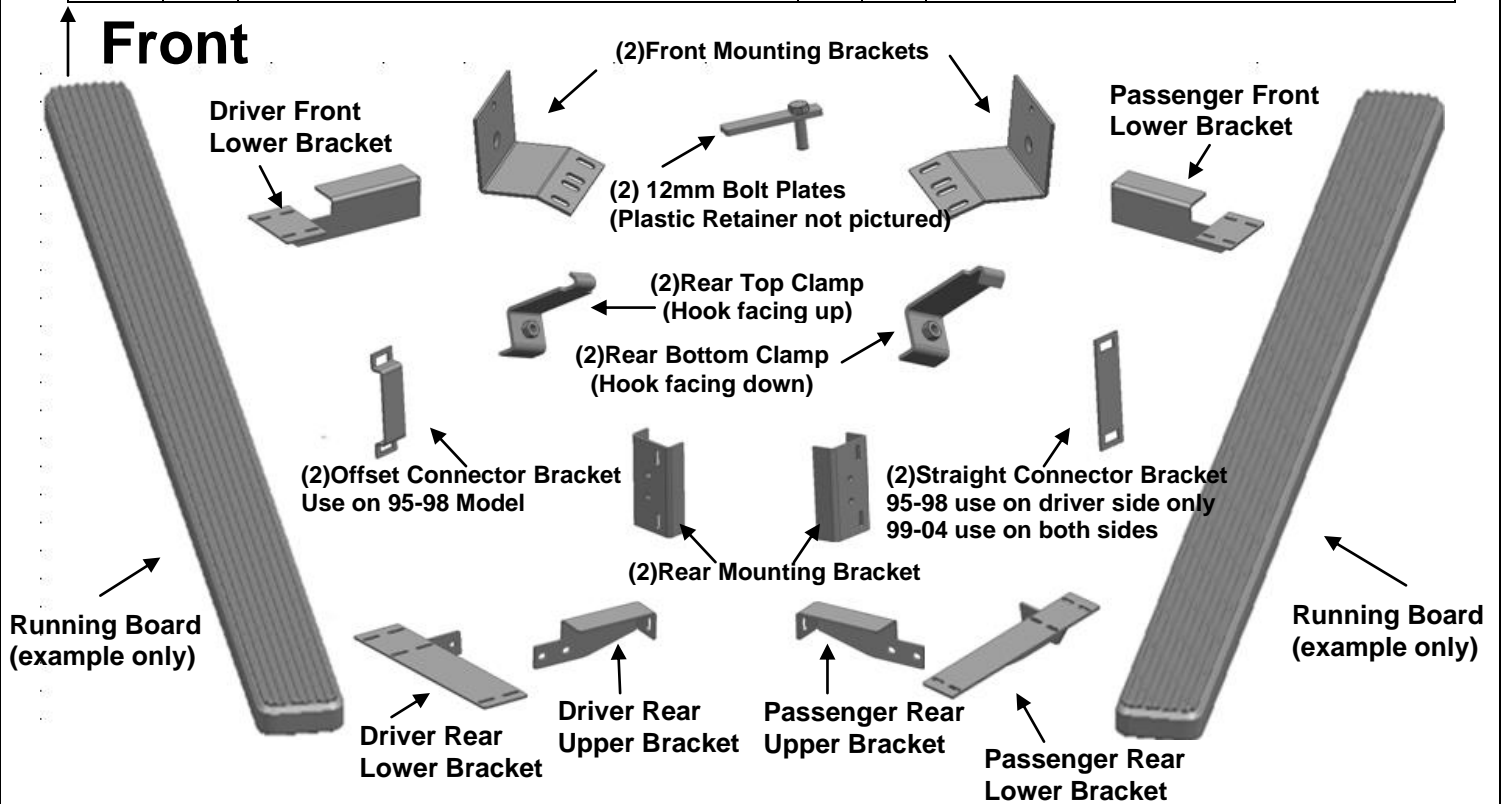


**PARTS LIST:**

Item	QTY	Description	Item	QTY	Description
#1	2	Running Board(use for left or right)	#16	4	12-1.75mm x 40mm Hex Bolts
#2	2	Front Mounting Brackets	#17	2	12-1.75mm x 40mm Flat Head Bolts
#3	1	Driver Front Lower Bracket	#18	12	12mm x 32mm OD x 3mm Flat Washers
#4	1	Passenger Front Lower Bracket	#19	8	12mm Lock Washers
#5	2	Rear Mounting Brackets	#20	8	12mm Hex Nuts
#6	1	Driver Rear Upper Bracket	#21	4	10-1.50mm x 45mm Hex Bolts
#7	1	Passenger Rear Upper Bracket	#22	4	10-1.50mm x 30mm Hex Bolts
#8	1	Driver Rear Lower Bracket	#23	12	10mm x 30mm OD x 2.5mm Flat Washers
#9	1	Passenger Rear Lower Bracket	#24	8	10mm Lock Washers
#10	2	Rear Offset Connector Brackets (95-98 Model)	#25	4	10mm Hex Nuts
#11	2	Straight Connector Brackets (99-04 Model)	#26	1	Wrench
#12	2	Rear Top Clamps	#27	20	6-1.0mm x 20mm T-Bolts
#13	2	Rear Bottom Clamps	#28	20	6mm x 22mm OD x 2mm Flat Washers
#14	2	12-1.75mm Bolt Plates	#29	20	6mm Lock Nuts
#15	2	12mm Plastic Retainers			



**PROCEDURE:**

1. REMOVE CONTENTS FROM BOX. VERIFY ALL PARTS ARE PRESENT. READ INSTRUCTIONS CAREFULLY BEFORE STARTING INSTALLATION. ASSISTANCE IS RECOMMENDED.
2. Locate the factory rectangular hole in the frame towards the front of the vehicle. Thread (1) 12mm Plastic Retainer part way onto (1) 12mm Bolt Plate, (Figure 3B). Insert the 12mm Bolt Plate and Retainer into the hole in the side of the frame, (Figure 3A). Once inserted, thread the Plastic Retainer down tight against the side of the frame. **IMPORTANT:** The Plastic Retainer is designed to prevent the Bolt Plate from falling into the frame channel and to aid in mounting the Bracket.

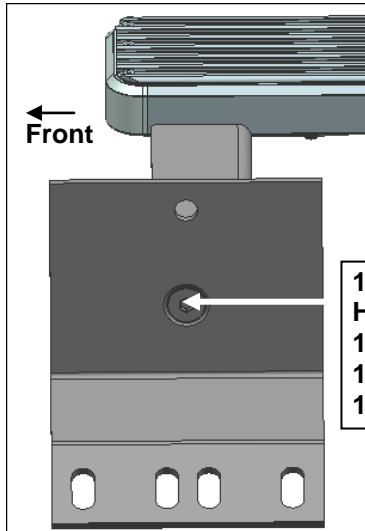
3. Place top hole of front Mounting Bracket over previously installed Bolt Plate. Secure the Mounting Bracket to the Bolt Plate with the included (1) 12mm Lock Washer, (1) 12mm Flat Washer and (1) 12mm Hex Nut, and the bottom hole use the included (1) 12x40mm Hex bolt, (1) 12mm Lock Washer, (2) 12mm Flat Washer and (1) 12mm Hex Nut(**Figure 4**). Do not tighten hardware at this time.
4. Select a Passenger lower front bracket, and bolt to the front mounting bracket with (1) 12x40mm Flat Head bolt, (1) 12mm Lock Washer, (1) 12mm Flat Washer and (1) 12mm Hex Nut(**Figure 1**). Do not tighten hardware at this time.
5. Select (1) Rear Top Clamp and place it in position on top of the frame channel. Depending on your vehicle, place either the Straight Connector Bracket or the Offset Connector Bracket on the inside of the frame and hook it over the Top Clamp. **IMPORTANT:** Hook on the Top Clamp should be facing up. Hook Bottom Clamp into the Connector Bracket. **NOTE:** Hook on the Rear Bottom Clamp should be facing downward, (**Figure 5 & 6**).  
**95-98 Extended Cab Models:** Place Offset Connector Bracket against backside of frame on the passenger side and Straight Connector Bracket against the backside of frame on the driver side.  
**99-03 Extended Cab Models:** Place Straight Connector Bracket against the backside of the frame on the passenger and driver side.
6. With assistance, hold the 3pc Clamp Assembly in place while you lift up the Running Board and Rear Mounting Bracket. Line up the top and bottom mounting holes with the top and bottom Clamps and bolt together using the included (2) 10mm x 45mm Hex Bolts, (2) 10mm Lock Washers and (2) 10mm Flat Washers, (**Figure 7**). Do not tighten hardware at this time.
7. Select a Passenger rear upper bracket, and bolt to the rear mounting bracket with (1) 12x40mm Flat Head bolt, (1) 12mm Lock Washer, (2) 12mm Flat Washer and (1) 12mm Hex Nut(**Figure 2**). Do not tighten hardware at this time, then bolt the passenger Rear lower Bracket to the upper bracket with (2) 10mm x 30 mm Hex Bolt, (4) 10mm Flat Washers, (2) 10mm Lock Washer and (2) 10mm Hex Nut. Do not tighten hardware at this time. (**Figure 7**)
8. Select a Running Board. Slip(10) 6mm T-bolts into each bottom channel(**Figure 8**). Carefully position the Running Board onto the (2) Mounting Brackets. **IMPORTANT:** Do not slide, (front to back), the Running Board on the Brackets or damage to the finish may result. Attach the Running Board to the Front Mounting Bracket with(4) 6mm T-bolts,(4)6mm flat washers and (4)6mm lock nuts (**Figures 9**). Rear Mounting Bracket with(6) 6mm T-bolts,(6)6mm flat washers and (6)6mm lock nuts Do not tighten at this time (**Figures 9**).
9. Do periodic inspections to the installation to make sure that all hardware is secure and tight.

**To protect your investment,** wax this product after installing. Regular waxing is recommended to add a protective layer over the finish. Do not use any type of polish or wax that may contain abrasives that could damage the finish.

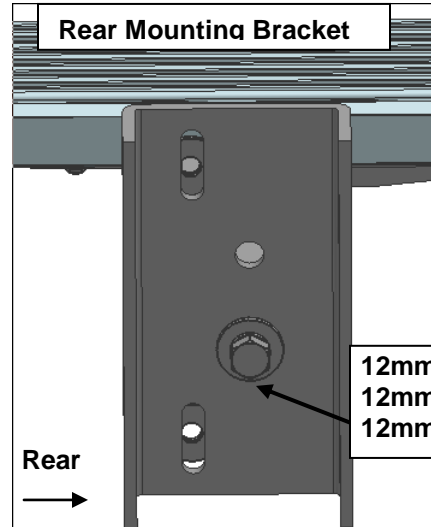
**For Polished Finishes:** Aluminum polish may be used to polish small scratches and scuffs on the finish. Mild soap may be used also to clean the Running Board.

**For Black Finishes:** Mild soap may be used to clean the Running Board.

### Passenger/Right Running Board Installation Pictured



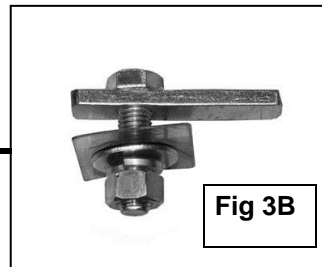
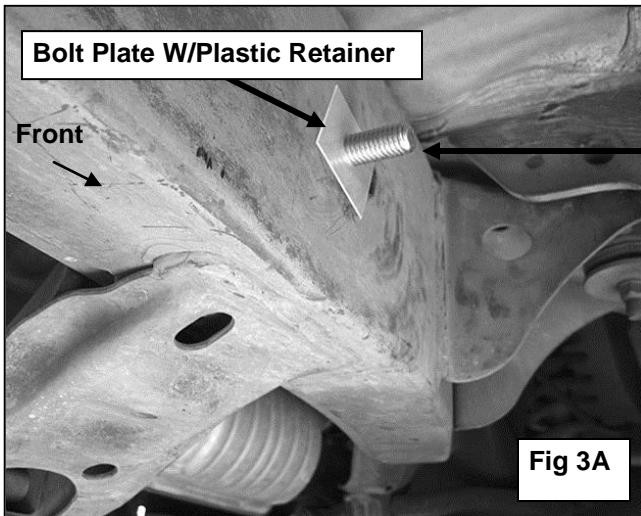
- 12mm x 40mm Flat Head Bolt
- 12mm Lock Washer
- 12mm Flat Washer
- 12mm Hex Nut



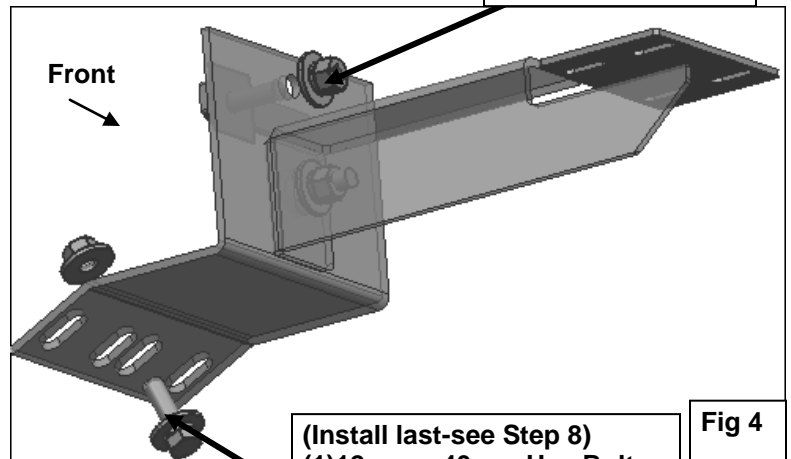
- 12mm x 40mm Hex Bolt
- 12mm Lock Washer
- 12mm Flat Washer

(Fig 1) Front Bracket to Running Board Installation

(Fig 2) Rear Bracket to Running Board Installation



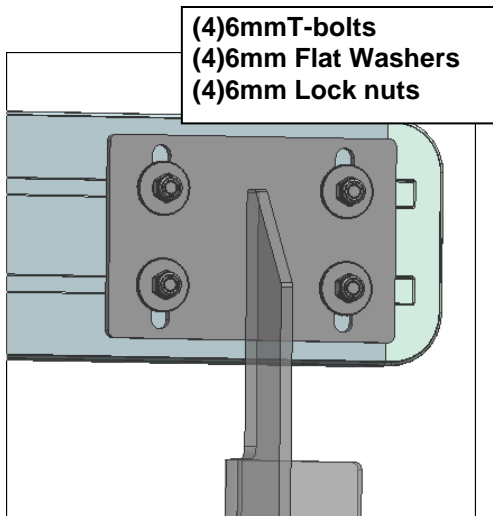
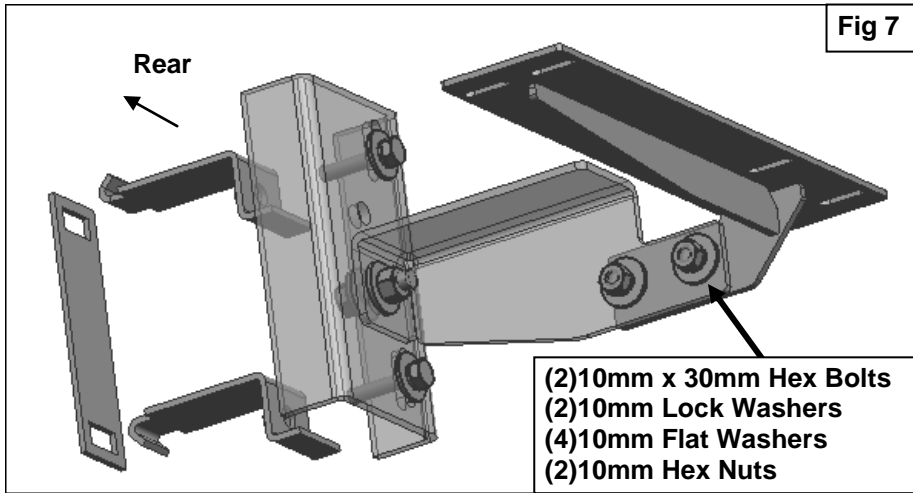
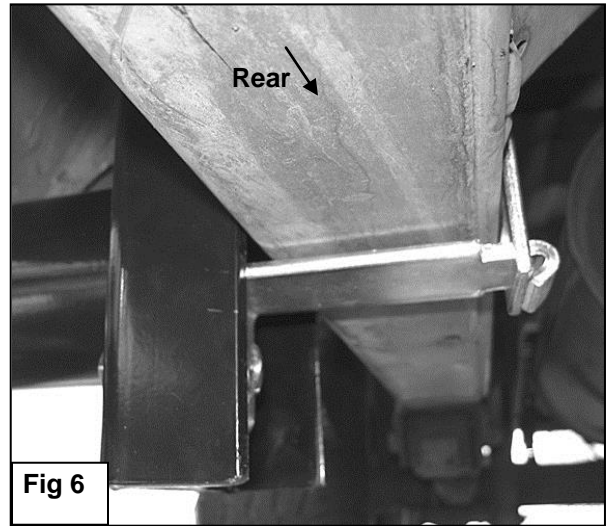
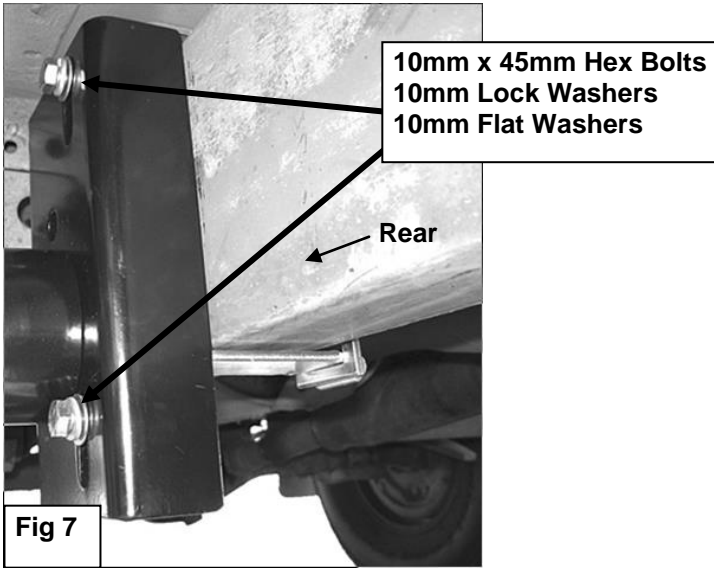
- 12mm Bolt Plate
- 12mm Lock Washer
- 12mm Flat Washer
- 12mm Hex Nut



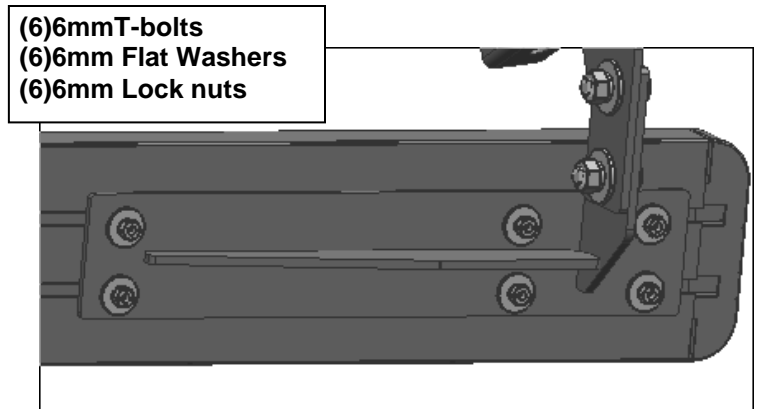
- (Install last-see Step 8)
- (1)12mm x 40mm Hex Bolt
- (2)12mm Lock Washer
- (1)12mm Flat Washer
- (1)12mm Hex Nut



(Fig 5) 99-03 Rear Bracket Connector Installation Pictured



(Fig 9a) Bracket installation



(Fig 9b) Bracket installation