

# Installation Instructions for IB20DBC0

by APS Auto Parts Specialist Inc.

**Application:** For 2010-2013 Toyota 4Runner SR5/2010-2018 Toyota 4Runner Limited  
Estimated Time: 1 to 2 hours



Disclaimer: Instructions intended for persons aged 18+ please do not attempt without adult supervision. Instructions are not intended to replace professional installation. Damage from improper installation, misuse or modification to the product voids the manufacturer's warranty.

**PARTS LIST:**

Item	QTY	Description	Item	QTY	Description
#01	1	Driver/Left Sidebar	#06	12	M8 Flat Washers
#02	1	Passenger/Right Sidebar	#07	12	M8 Lock Washers
#03	2	Front Mounting Brackets (DF/PFM)	#08	12	M6 Nylon Lock Nuts
#04	4	Center/Rear Mounting Brackets (DC/PCM) (DR/PRM)	#09	12	M6 Flat Washers
#05	12	M8 Hex Bolt	#10	12	M6 Square Head Bolt



**DF/PFM**



**DC/PCM  
DR/PRM**

**INSTALLATION INSTRUCTION:**

**REMOVE CONTENTS FROM BOX. VERIFY ALL PARTS ARE PRESENT. READ INSTRUCTIONS CAREFULLY BEFORE STARTING INSTALLATION.**

- Starting on the driver side front of the vehicle. Remove the (2) factory hex bolts securing the lower rocker panel bracket to the bottom of the body,(**Figure 1**).**NOTE:** Only install(1)bracket at one time. Select(1)Front Mounting Bracket. Hold the Sidebar in place over the factory rocker panel bracket. Bolt the Mounting Bracket to the vehicle using the include (2) 8mmx30mm Hex Bolts,(2)8mm Lock Washers and (2) 8mm Flat Washers,(**Figure 2**). Do not tighten hardware at this time.
- Repeat **STEP 1** for Center and Rear Bracket installation,(**Figure 3&4**)
- With assistance, carefully place the Driver/Left Sidebar onto the (3) Brackets. **WARNING:** Do not rotate the Sidebar on the cradle or the finish on the Sidebar may be damaged. Align the threaded holes on the Mounting Brackets. Attach the Sidebar to the Mounting Brackets with the included(2)M6 Square Head Bolts,(2)M6 Nylon Lock Nuts and (2)M6 Flat Washers,(**Figure 5 & 6 & 7**),Do not tighten at this time.
- Level and adjust the Sidebar properly and tighten all hardware. **NOTE: Torque all M6 nylon lock nuts to 7 lb-ft.**
- Repeat **Step 1-4** for passenger Sidebar installation.
- Do periodic inspections to the installation to make sure that all hardware is secure and tight.

**To protect your investment**, wax this product after installing. Regular waxing is recommended to add a protective layer over the finish. Do not use any type of polish or wax that may contain abrasives that could damage the finish.

**For Polished Finishes:** Aluminum polish may be used to polish small scratches and scuffs on the finish. Mild soap may be used also to clean the Running Board.

**For black finishes:** Mild soap may be used to clean the Running Board.

### Driver Side Installation Pictured



(Fig 1) Driver/Left Front Mounting Location Pictured

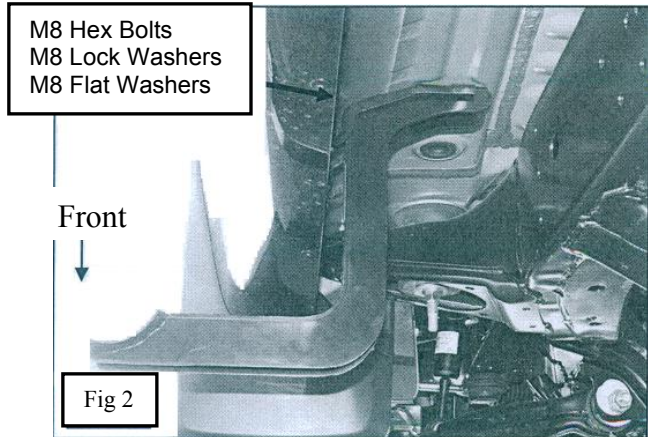
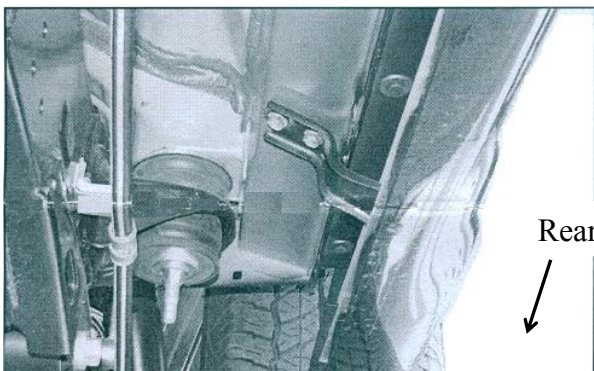
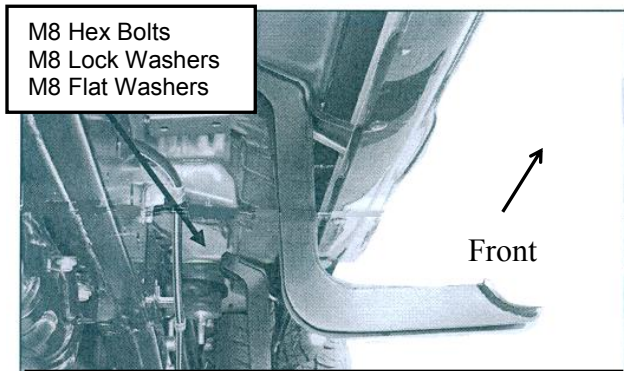


Fig 2



(Fig 3) Driver/Left Rear Mounting Location Pictured



(Fig 4) Driver/Left Center and Rear Brackets Pictured

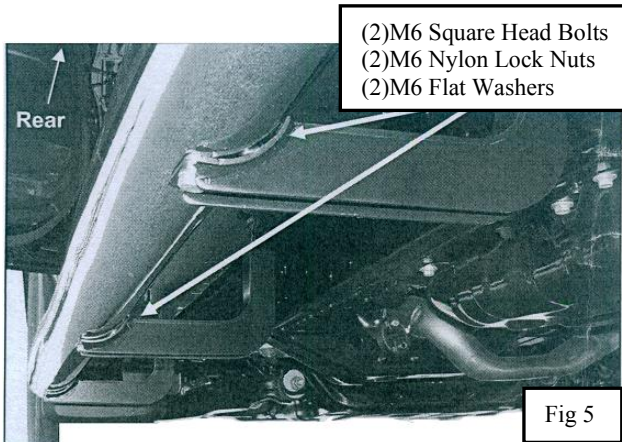


Fig 5

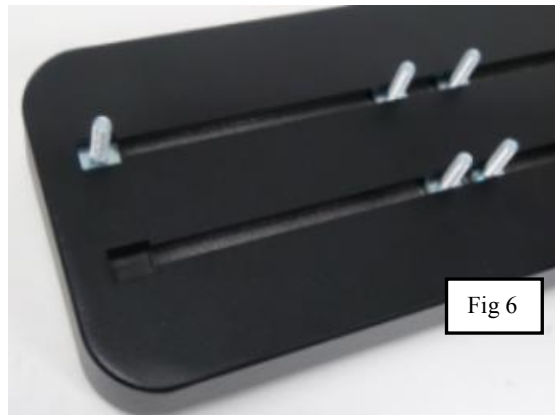


Fig 6

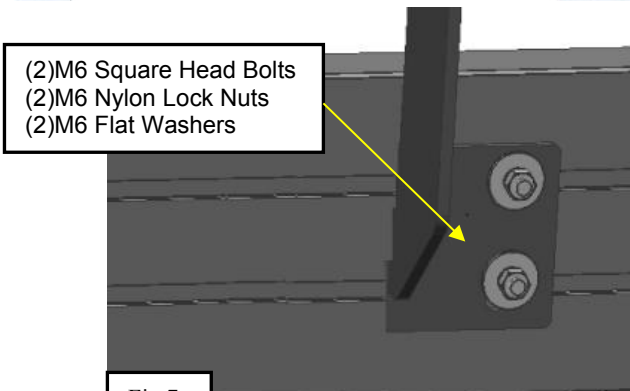


Fig 7



Complete Installation