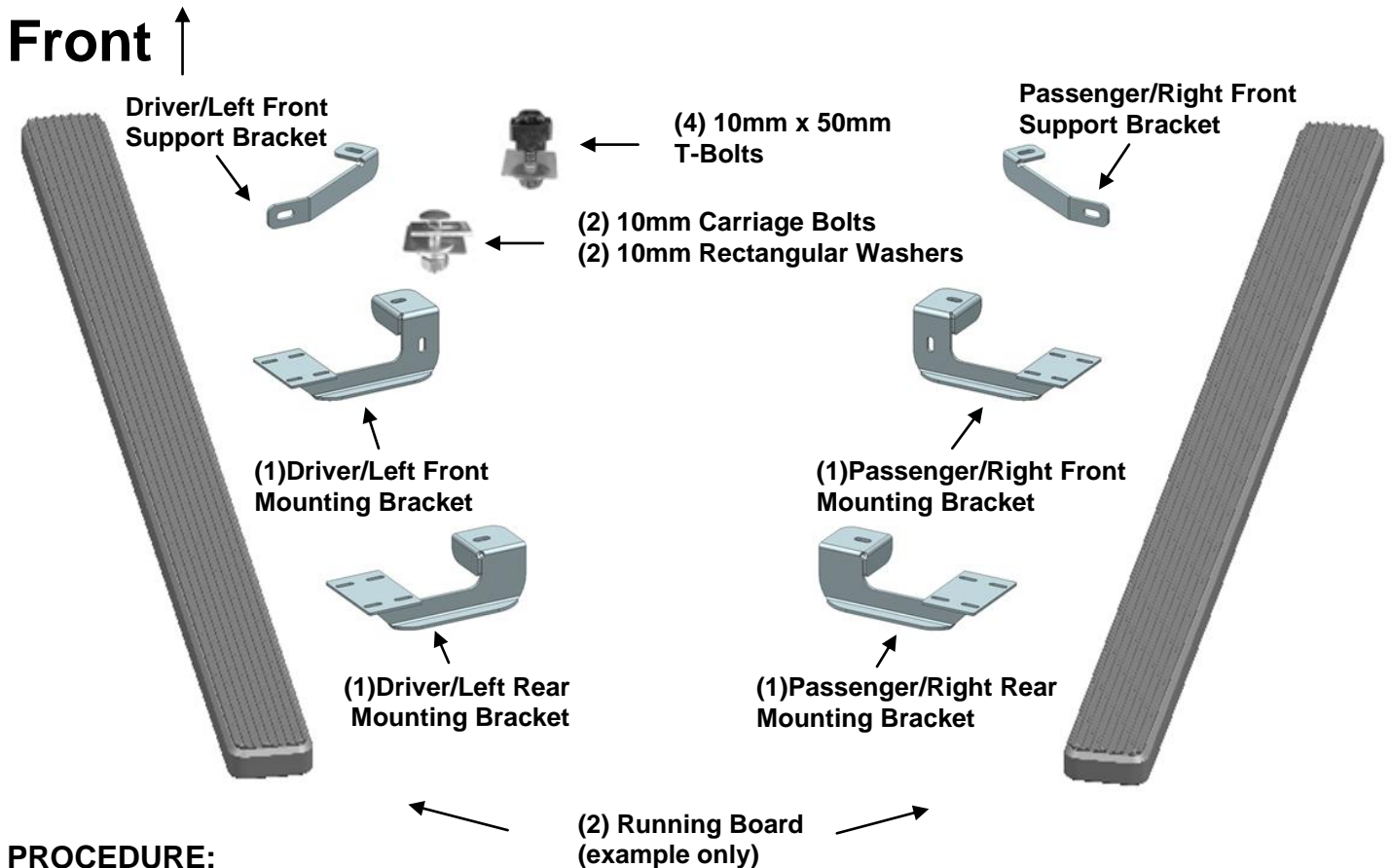


**PARTS LIST:**

Item	QTY	Description	Item	QTY	Description
#01	2	Running Board(use for left or right)	#10	2	10-1.50mm x 40mm Carriage Bolts
#02	1	Driver/Left Front Mounting Bracket	#11	2	10mm Rectangular Washers
#03	1	Passenger/Right Front Mounting Bracket	#12	2	10-1.50mm x 35mm Hex Bolt
#04	1	Driver/Left Front Support Bracket	#13	10	10mm x 27mm x 3mm Flat Washer
#05	1	Passenger/Right Front Support Bracket	#14	8	10mm Lock Washer
#06	1	Driver/Left Rear Bracket	#15	8	10-1.5mm Hex Nut
#07	1	Passenger/Right Rear Bracket	#16	16	6mm x 22mm OD x 2mm Flat Washers
#08	4	10-1.5mm x 50mm T-Bolt	#17	16	6-1.0mm Hex Nuts
#09	6	10mm Plastic Retainers	#18	16	6-1.0mm x 20mm T-Bolts



**PROCEDURE:**

1. REMOVE CONTENTS FROM BOX. VERIFY ALL PARTS ARE PRESENT. READ FACTORY BODY BOLT REMOVAL INSTRUCTIONS AND INSTALLATION INSTRUCTIONS CAREFULLY BEFORE STARTING INSTALLATION.
2. Starting on the driver side of the vehicle, locate and remove the factory round and oval rubber plugs in the bottom of the body panel located closest to the front tire opening, **(Figures 1 & 2)**. Select (1) 10mm x 45mm Carriage Bolt, (1) 10mm Rectangular Washer and (1) 10mm Plastic Retainer, **(Figure 3A)**. Slide the Rectangular Washer onto and over the square shoulder on the Carriage Bolt. Thread the Retainer part way onto the Bolt. **NOTE:** The Plastic Retainer is designed to help hold the Bolt in place during Bracket installation. Insert the Carriage Bolt with Rectangular Washer and Retainer into the inner round hole in the floor panel. Line up the Carriage Bolt with the center of the hole and the Rectangular Washer across the hole. Pull the

Carriage Bolt down through the slot in the Washer. Thread the Retainer down tight against the floor panel, **(Figure 3B)**.

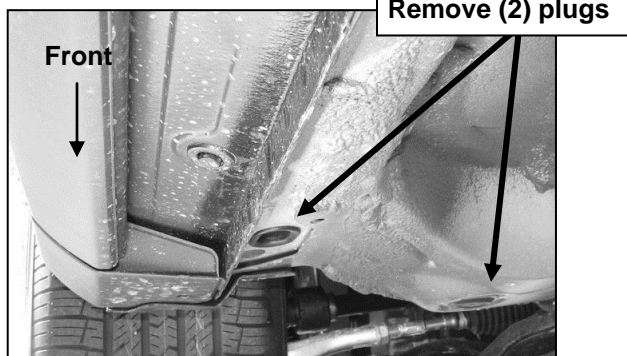
3. Select (1) T-Bolt and (1) 10mm Plastic Retainer, **(Figure 4A)**. Insert the T-Bolt up into the oval hole and rotate it 90-degrees so that the block is across the oval hole. Thread the Plastic Retainer onto the T-Bolt and tight against the floor panel, **(Figure 4B)**.
4. Next, select the driver side Front Bracket. Secure the Front Bracket to the T-Bolt first with (1) 10mm Flat Washer, (1) 10mm Lock Washer and (1) 10mm Hex Nut, **(Figure 5)**. Snug but do not tighten the hardware at this time.
5. Select the driver side Front Support Bracket. Bolt the Support Bracket to the inner 10mm Carriage Bolt with (1) 10mm Flat Washer, (1) 10mm Lock Washer and (1) 10mm Hex Nut, **(Figures 5)**. Leave hardware loose. Line up the slot in the Support Bracket with the slot in the Front Mounting Bracket. Bolt the Support Bracket to the front of the Mounting Bracket with (1) 10mm x 35mm Hex Bolt, (2) 10mm Flat Washers, (1) 10mm Lock Washer and (1) 10mm Hex Nut. Snug but do not tighten hardware at this time.
6. Move along the side of the vehicle to the rear mounting location, **(Figure 6)**. Remove the oval rubber plug. Select (1) T-Bolt and (1) 10mm Plastic Retainer, **(Figure 7A)**. Insert the T-Bolt up into the oval hole and rotate 90-degrees so that the block is across the oval hole. Thread the Plastic Retainer onto the T-Bolt and tight against the floor panel as described in **Step 2**, **(Figure 7B)**.
7. Select the driver side Rear Mounting Bracket. Hang the Rear Bracket from the T-Bolt with (1) 10mm Flat Washer, (1) 10mm Lock Washer and (1) 10mm Hex Nut, **(Figure 8)**. Snug but do not tighten the hardware at this time.
8. Select a Running Board. Slip (8) 6mm T-bolts into each bottom channel **(Figure 9)**. Carefully position the Running Board onto the (2) Mounting Brackets. **IMPORTANT:** Do not slide, (front to back), the Running Board on the Brackets or damage to the finish may result. Attach the Running Board to each Mounting Brackets with (4) 6mm T-bolts, (4) 6mm flat washers and (4) 6mm lock nuts, **(Figures 10)**. Do not tighten at this time.
9. Level and adjust Running Board properly and tighten all hardware.
10. Repeat **Steps 2 – 9** for passenger side Running Board installation.
11. Do periodic inspections to the installation to make sure that all hardware is secure and tight

**To protect your investment**, wax this product after installing. Regular waxing is recommended to add a protective layer over the finish. Do not use any type of polish or wax that may contain abrasives that could damage the finish.

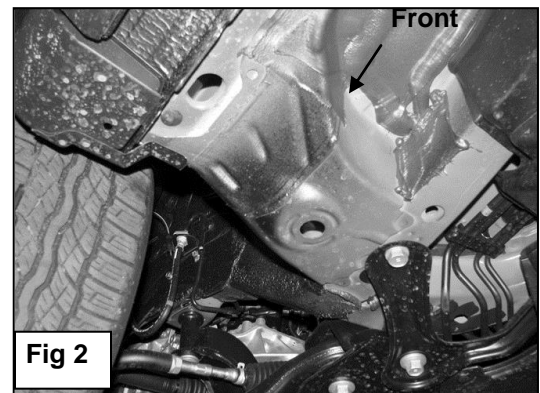
**For Polished Finishes:** Aluminum polish may be used to polish small scratches and scuffs on the finish. Mild soap may be used also to clean the Running Board.

**For Black Finishes:** Mild soap may be used to clean the Running Board.

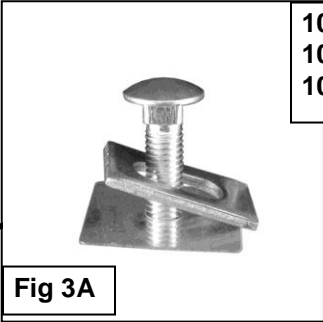
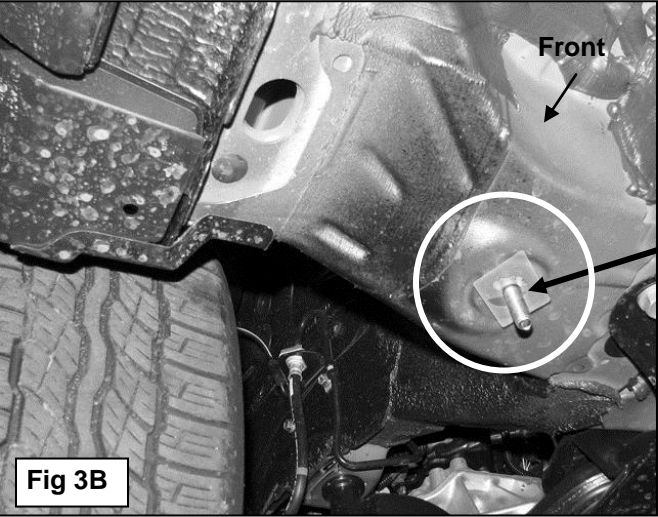
### Driver Side Installation Pictured



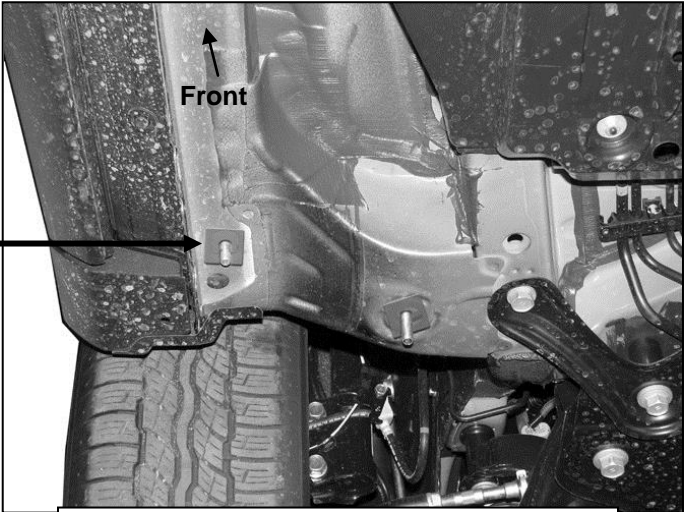
**(Fig 1)** Driver side front mounting location pictured



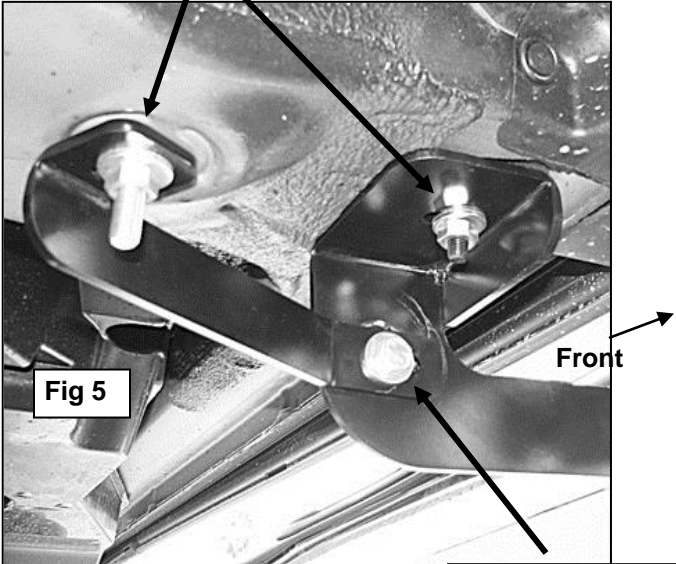
**Driver Side Installation Pictured**



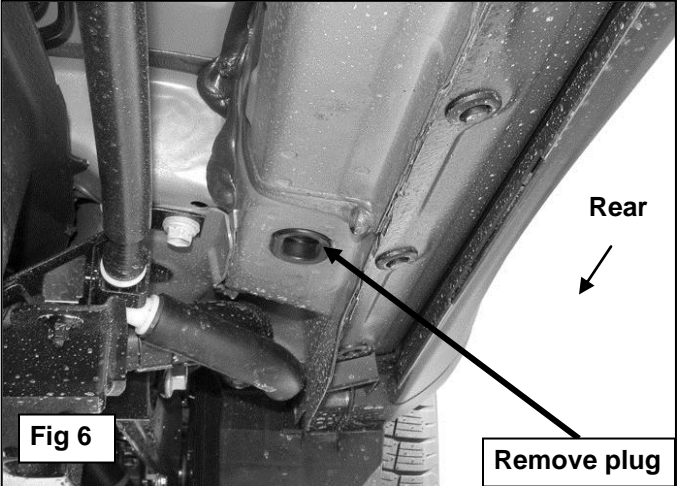
10mm x 40mm Carriage Bolt  
10mm Rectangular Washer  
10mm Plastic Retainer



(2) 10mm Flat Washers  
(2) 10mm Lock Washers  
(2) 10mm Hex Nuts



10mm x 35mm Hex Bolt  
(2) 10mm Flat Washers  
10mm Lock Washer  
10mm Hex Nut



### Driver Side Installation Pictured

