

# Installation Instructions for IB14SJI5S

by APS Auto Parts Specialist Inc.

Application: FOR 2005-2018 Nissan Frontier Crew Cab 5.5' Bed  
Estimated Time: 1 to 2 hours



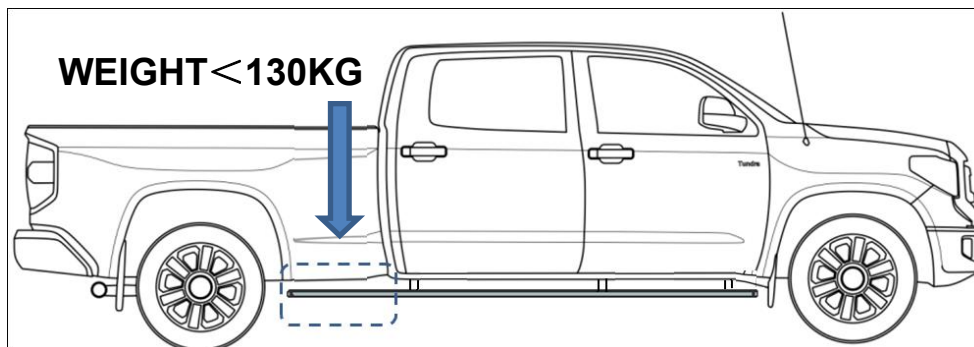
Disclaimer: Instructions intended for persons aged 18+ please do not attempt without adult supervision. Instructions are not intended to replace professional installation. Damage from improper installation, misuse or modification to the product voids the manufacturer's warranty.

**PARTS LIST:**

Item	QTY	Description	Item	QTY	Description
#01	2	Running Board(use for left or right)	#05	12	M8 Hex Nuts
#02	6	Mounting Brackets(use for left or right)	#06	12	M6 Nylon Lock Nuts
#03	12	8mm x 24mm x 2mm Flat Washers	#07	12	M6X1.0 - 20mm T-Bolts
#04	12	M8 Lock Washers	#08	12	6mm x 22mm OD x 2mm Flat Washers



**IMPORTANT ALERT: FOR WHEEL TO WHEEL APPLICATION, WEIGHT TO THE REAR END AREA OF THE RUNNING BOARD BEHIND THE LAST BRACKET NEED TO LESS THEN 130KG.OVERWEIGHT IN THIS AREA MAYBE DAMAGE YOUR RUNNING BOARD.**



**PROCEDURE:**

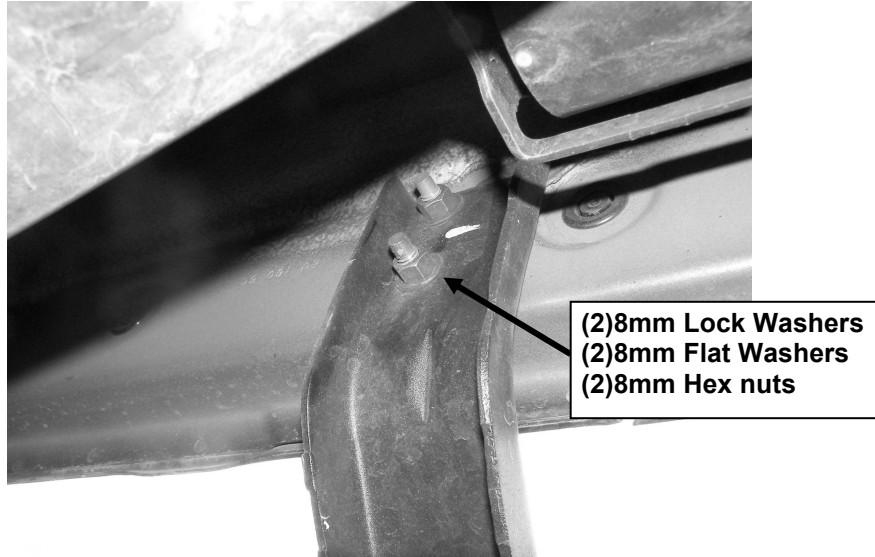
- 1. REMOVE CONTENTS FROM BOX. VERIFY ALL PARTS ARE PRESENT. READ INSTRUCTIONS CAREFULLY.**
- On the passenger/right side, if equipped, remove the existing running board by removing the four nuts holding mount to inside of body. Install the two mounting brackets with the removed stock nuts, leave nuts loose for now. **NOTE:** Holes in brackets are off set, install with holes towards front of truck, passenger/right side shown.
- If not equipped with factory running boards – then use the four supplied M8 hex nuts, washers & lock washers to install mounting brackets to truck.
- Once all (3) Brackets have been installed, Select a Running Board. Slip (6) M6 T-Bolts into each bottom channel (**Figure 2**).Carefully position the Running Board onto the Mounting Brackets. Attach the Running Board to the Mounting Brackets with (2) M6 T-bolts,(2)M6 flat washers and (2)M6 nylon lock nuts, (**Figure 3**). Do not tighten hardware at this time.
- Repeat procedures 2 & 4 for driver/left side.
- Level and adjust Running Board as desired and tighten.
- Do periodic inspections to the installation to make sure that all hardware is secure and tight.

(6",5") RUNNING BOARD  
FOR 2005-2018 Nissan Frontier Crew Cab 5.5' Bed

**To protect your investment**, wax this product after installing. Regular waxing is recommended to add a protective layer over the finish. Do not use any type of polish or wax that may contain abrasives that could damage the finish.

**For Polished Finshes:** Aluminum polish may be used to polish small scratches and scuffs on the finish. Mild soap may be used also to clean the Running Board.

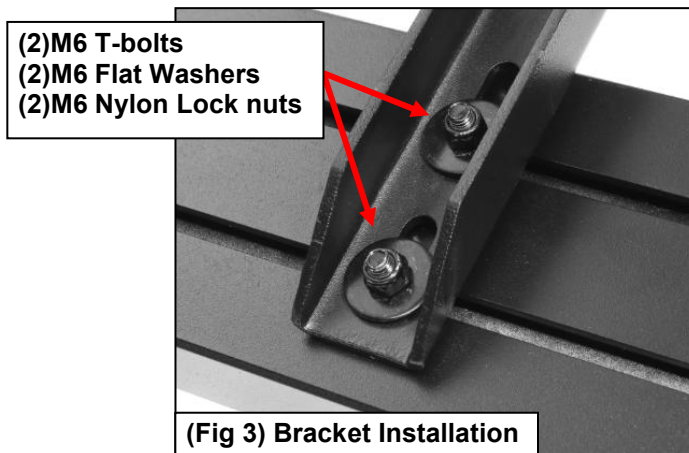
**For black finishes:** Mild soap may be used to clean the Running Board



(Fig 1) Passenger side Bracket(example only)



(Fig 2) Slip M6 T-bolts into the bottom channel



(Fig 3) Bracket Installation