



iRunning Board Installation Instruction

Part#:IB14RJ15

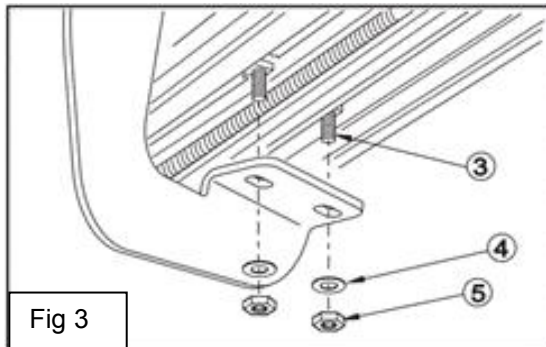
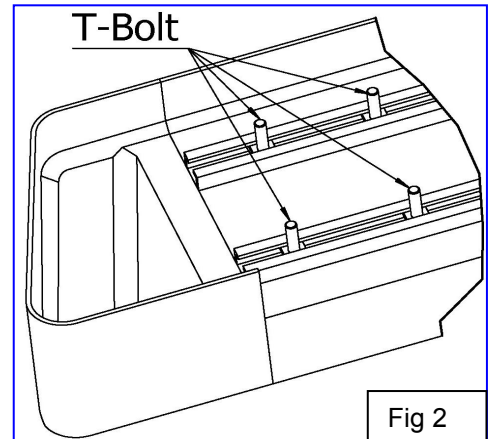
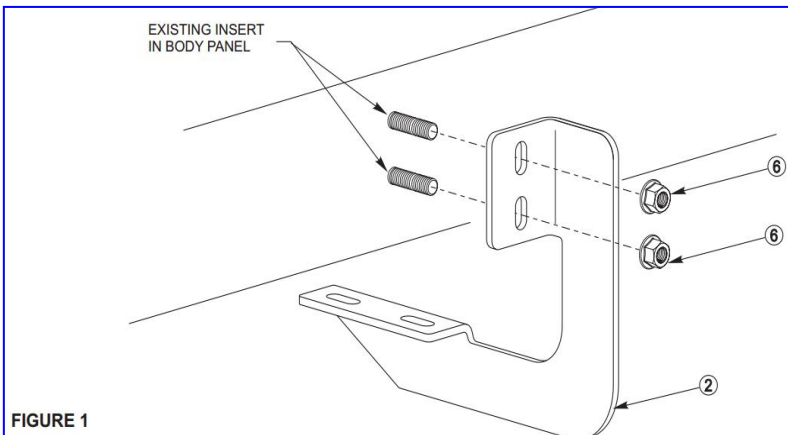
Application: For 2005-2018 Nissan Frontier Crew Cab

Item	Part Name	QTY	Item	Part Name	QTY
1	STEP BOARD, Driver And Passenger	2	4	M6 Flat Washers	12
2	Mounting Bracket	6	5	M6 Nylon Lock Nuts	12
3	M6 Square Hex Bolt	12	6	M8 Flange Nut	12



Installation Procedure

Step	Description
1	Remove contents from box and check for damage. Verify all parts are present. Read instructions completely before beginning.
2	Attach mounting brackets as shown SEE FIGURE 1 .
3	Insert square head bolts as shown (3 per slot,6 per board). SEE FIGURE 2 .
4	Attach board to brackets. Make sure board and brackets are properly aligned and tighten fasteners. as shown FIGURE 3 .
5	Repeat Step 2-4 for the other side installation. INSTALLATION IS COMPLETE, SEE FIGURE 4.



The instruction here is for your reference only. We strongly recommend the professional installer for best result. We are not responsible for any damage caused by the installation. Thank you for choosing our product!