



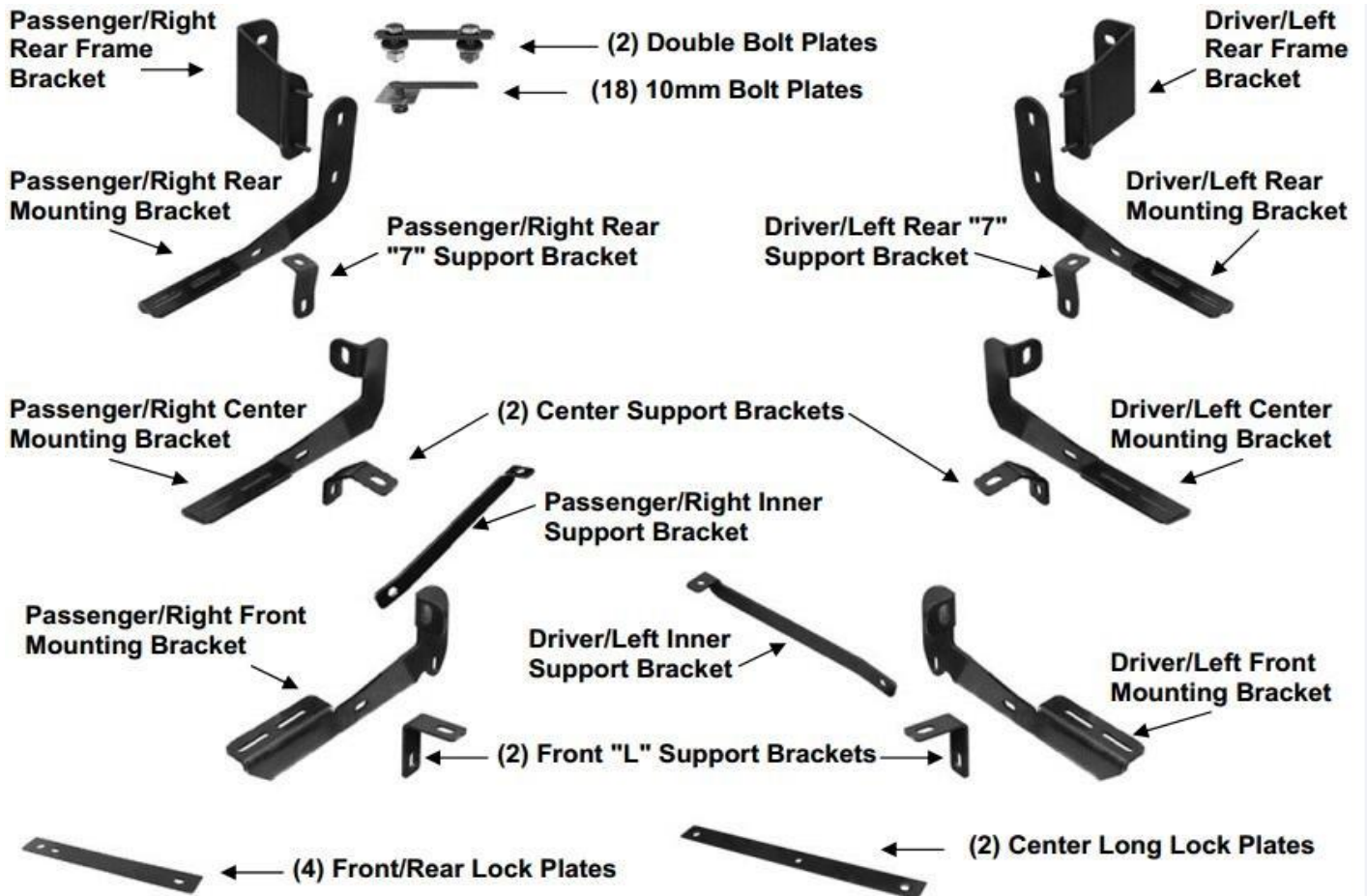
iRunning Board Installation Instruction

Part#: IB14RIG2

Application: For 2013-2018 Pathfinder (Excl. 15 Platinum Model)/2013-2017 Infiniti QX60

PARTS LIST:

Item	QTY	Description	Item	QTY	Description
#01	1	Driver side step board	#17	4	Front and Rear Locking Plates
#02	1	Passenger side step board	#18	2	Long Center Locking Plates (DCS1/PCS1)
#03	1	Driver Front Mounting Bracket (DFM)	#19	2	10mm Double Bolt Plates
#04	1	Passenger Front Mounting Bracket(PFM)	#20	18	M10X35 Low Profile Single Bolt Plates
#05	1	Driver Front Long Inner Support Bracket (DRS2)	#21	18	10mm Plastic Retainers
#06	1	Passenger Front Short Inner Support Bracket (PRS)	#22	22	M10 Flat Washers
#07	2	Front "L" Outer Support Brackets (DFS/PFS)	#23	22	M10 Lock Washers
#08	1	Driver/Left Center Mounting Bracket (DCM)	#24	22	M10 Hex Nuts
#09	1	Passenger/Right Center Mounting Bracket (PCM)	#25	6	M8 x 30mm Hex Bolts
#10	2	Center Support Brackets (DCS/PCS)	#26	18	M8 Flat Washers
#11	1	Driver Rear Frame Mounting Bracket (DRS)	#27	10	M8 Lock Washers
#12	1	Passenger Rear Frame Mounting Bracket (PRS)	#28	10	M8 Hex Nuts
#13	1	Driver/Left Rear Mounting Bracket (DRM)	#29	12	M6 Square Hex Bolt
#14	1	Passenger/Right Rear Mounting Bracket (PRM)	#30	12	M6 Flat Washers
#15	1	Driver/Left Rear "7" Outer Support Bracket (DRS1)	#31	12	M6 Nylon Lock Nuts
#16	1	Passenger/Right Rear "7" Outer Support Bracket (PRS1)			



iRunning Board Installation Instruction

Part#: IB14RIG2

Application: For 2013-2018 Pathfinder (Excl. 15 Platinum Model)/2013-2017 Infiniti QX60

1. REMOVE CONTENTS FROM BOX. VERIFY ALL PARTS ARE PRESENT. READ INSTRUCTIONS CAREFULLY .
2. Start installation on the passenger side of the vehicle. Locate and remove the (2) rubber plugs in the bottom of the outer frame channel closest to the front wheel opening, **(Figure 1)**
3. Select (2) 10mm Bolt Plates and (2) 10mm Plastic Retainers, **(Figure 2A)**. Partially thread the Retainers onto the Bolt Plates. **NOTE:** The Plastic Retainer is designed to help hold the Bolt Plate in place during Bracket installation.
4. Insert (1) Bolt Plate into the first-forward hole with the plate pointed toward the rear of the vehicle, **(Figure 2B)**. Thread the Plastic Retainer down tight against the body panel. Repeat to install the next Bolt Plate into the second hole with the Plate pointed toward the front of the vehicle, **(Figure 3)**
IMPORTANT: The Plates on the (2) Bolt Plates must be pointed toward each other, **(Figure 3)**
5. Select (1) Lock Plate, **(Figure 3)**. Slide the Lock Plate over the (2) Bolt Plates with the bent side toward the pinch weld. Attach the Lock Plate to the rear Bolt Plate only with (1) 10mm Flat Washer, (1) 10mm Lock Washer and (1) 10mm Hex Nut, **(Figure 4)**. Tighten the Hex Nut at this time.
6. Locate the round hole in the back of the outer frame channel directly behind the previously installed Bolt Plates, **(Figure 5)**. Remove the rubber plug. Select (1) 10mm Bolt Plate and (1) 10mm Plastic Retainer, **(Figure 2A)**. Partially thread the Retainer onto the Bolt Plate. Insert the Bolt Plate into the hole and tighten the Retainer as previously described.
IMPORTANT: Mounting areas may be covered with undercoating. Scrape excess undercoating from body panel at all mounting locations. Brackets must mount flat against body panels.
7. Select (1) Front "L" Support Bracket, **(Figure 6A)**. Attach the shorter leg on the Support Bracket to the front Bolt Plate with (1) 10mm Flat Washer, (1) 10mm Lock Washer and (1) 10mm Hex Nut, **(Figure 6B)**. Leave hardware loose at this time.
8. Select the passenger side Front Mounting Bracket. Attach the Bracket to the Bolt Plate in the back of the frame channel first with (1) 10mm Flat Washer, (1) 10mm Lock Washer and (1) 10mm Hex Nut, **(Figure 7)**. Attach the Mounting Bracket to the back of the "L" Support Bracket with (1) 8mm Hex Bolt, (2) 8mm Flat Washers, (1) 8mm Lock Washer and (1) 8mm Hex Nut, **(Figures 7 & 8)**. Do not tighten hardware at this time.
9. Next, locate the factory holes in the bottom of the inner frame channel directly behind the tie down loop where the frame is joined together. Determine the correct factory hole to use:
Passenger side installation: Use the 2nd factory hole back from the loop, **(Figure 10)**
Driver side installation: Use the factory hole closest to the loop, **(Figure 9B)**
10. Select (1) 10mm Bolt Plate and (1) 10mm Plastic Retainer, **(Figure 9A)**. Partially thread the Retainer onto the Bolt Plate. Insert the Bolt Plate into the correct factory hole in the frame channel as identified in **Step 9 (Figures 9B & 10)**
IMPORTANT: The driver side and passenger side Front Inner Support Brackets do not install in the same manner.
11. Select the correct Inner Front Support Bracket, **(Figure 11)**. Attach the 90-degree bent end of the Support Bracket to the Bolt Plate in the frame channel with (1) 10mm Flat Washer, (1) 10mm Lock Washer and (1) 10mm Hex Nut, **(Figure 12)**. Bolt the outer end of the Support Bracket to the front Mounting Bracket with (1) 8mm Hex Bolt, (2) 8mm Flat Washers, (1) 8mm Lock Washer and (1) 8mm Hex Nut, **(Figure 12)**. Do not tighten hardware at this time.
Attach the driver side inner Support Bracket to the front of the Front Mounting Bracket, **(Figure 12)**

iRunning Board Installation Instruction

Part#: IB14RIG2

Application: For 2013-2018 Pathfinder (Excl. 15 Platinum Model)/2013-2017 Infiniti QX60

Attach the passenger side Inner Support Bracket to the back of the Front Mounting Bracket, (Figure 10)

12. Move along the side of the vehicle to approximately the center/back of the front door. Locate the single hole in the back of the outer frame channel, **(Figure 15B)**. Remove rubber plug if equipped. Next locate and remove the (2) rubber plugs from the bottom of the outer frame channel. Repeat **Steps 2-5** to install the (2) Bolt Plates and (1) Long Center Lock Plate to the bottom of the frame channel, **(Figures 13B & 14)**
13. Select (1) 10mm Bolt Plate and (1) 10mm Plastic Retainer, **(Figure 13A)**. Partially thread the Retainer onto the Bolt Plate. Insert the Bolt Plate into the hole in the back of the frame channel, **(Figure 15B)**
14. Select (1) Center Support Bracket, **(Figure 15A)**. Attach the long end of the Support Bracket to the forward Bolt Plate in the frame channel with (1) 10mm Flat Washer, (1) 10mm Lock Washer and (1) 10mm Hex Nut, **(Figures 15B & 17)**. Select the passenger side Center Bracket, **(Figure 16)**. Attach the Bracket to the Bolt Plate in the back of the frame channel with (1) 10mm Flat Washer, (1) 10mm Lock Washer and (1) 10mm Hex Nut. Bolt the remaining end of the Support Bracket to the front of the Center Bracket with (1) 8mm Hex Bolt, (2) 8mm Flat Washers, (1) 8mm Lock Washer and (1) 8mm Hex Nut, **(Figure 17)**. Do not tighten hardware at this time.
15. Move to the rear mounting location in front of the passenger side rear tire opening. Locate the large oval and the round holes in the inner body panel in front of the rear tire, **(Figure 18)**. Select (1) 10mm Double Bolt Plate and (1) 10mm Plastic Retainer, **(Figure 19A)**. Insert the Bolt Plate into the oval hole and up and out of the smaller round hole above it. Thread the Plastic Retainer onto the Bolt Plate in the round hole only, **(Figure 19B)**
16. Locate the last (2) round holes along the floor panel, **(Figure 18)**. Repeat **Steps 2-5** to install the (2) Bolt Plates and Lock Plate, **(Figures 20A & 20B)**
NOTE: Attach the Lock Plate to the front Bolt Plate only with (1) 10mm Flat Washer, (1) 10mm Lock Washer and (1) 10mm Hex Nut, **(Figure 21)**. Tighten the Hex Nut at this time.
17. Select the passenger side rear Frame Bracket, **(Figure 22)**. Attach the Frame Bracket to the Double Bolt Plate with (2) 10mm Flat Washers, (2) 10mm Lock Washers and (2) 10mm Hex Nuts, **(Figure 23)** Do not tighten hardware at this time. Next, attach the driver side Rear Mounting Bracket to the front of the Frame Bracket with (2) 8mm Flat Washers, (2) 8mm Lock Washers and (2) 8mm Hex Nuts, **(Figure 24)**. Do not tighten hardware at this time.
18. Select the passenger side "7" Rear Support Bracket, **(Figure 25)**. Attach the Support Bracket to the rear Bolt Plate with (1) 10mm Flat Washer, (1) 10mm Lock Washer and (1) 10mm Hex Nut, **(Figures 22 & 26)**. Do not tighten hardware. Line up the remaining hole in the Rear Bracket with the "7" Rear Support Bracket. Bolt the Mounting Bracket to the back of the "7" Rear Support Bracket with (1) 8mm Hex Bolt, (2) 8mm Flat Washers, (1) 8mm Lock Washer and (1) 8mm Hex Nut, **(Figure 26)**. Do not tighten hardware at this time.
19. Carefully unwrap the Running Boards and select the passenger side Running Board. Insert (6) 6mm T-Bolts into the slots in the ends of the channels, (3 T-Bolts per slot), on the bottom of the Running Board, **(Figure 27)**. Hold the Running Board up in the approximate position and slide the T-Bolts down the slots to line up with the Brackets. Tilt the Running Board up at a slight angle to clear the slots in the Brackets. Secure the Running Board to the Brackets with (6) 6mm Flat Washers, (6) M6 Nylon Lock Nuts and (6) M6 Square Hex Bolt, **(Figure 28)**
NOTE: The Running Board is designed to fit close to the vehicle. It may be necessary to loosen the Mounting Brackets and tilt the Brackets downward to insert the Running Board. Do not fully tighten hardware at this time.
20. Level and adjust the Running Board and tighten all hardware

iRunning Board Installation Instruction

Part#: IB14RIG2

Application: For 2013-2018 Pathfinder (Excl. 15 Platinum Model)/2013-2017 Infiniti QX60

21. Repeat **Steps 2-20** for driver side Running Board installation.

22. Do periodic inspections to the installation to make sure that all hardware is secure and tight.

To protect your investment, wax this product after installing. Regular waxing is recommended to add a protective layer over the finish. Do not use any type of polish or wax that may contain abrasives that could damage the finish.

For Polished Finishes: Aluminum polish may be used to polish small scratches and scuffs on the finish. Mild soap may be used also to clean the Running Board.

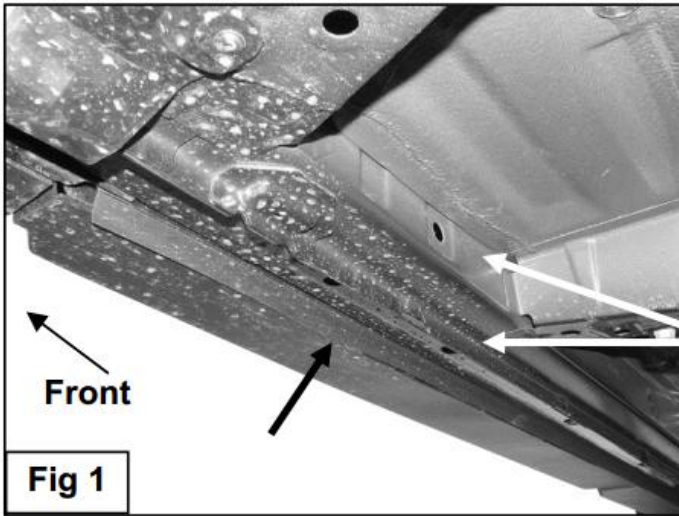
For black finishes: Mild soap may be used to clean the Running Board.

iRunning Board Installation Instruction

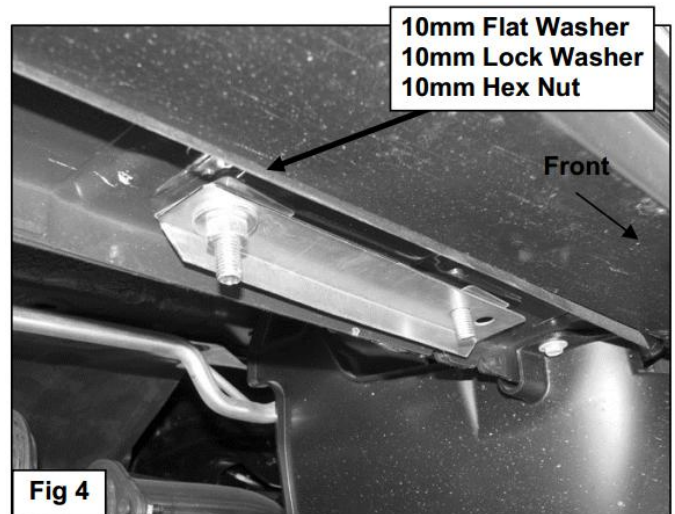
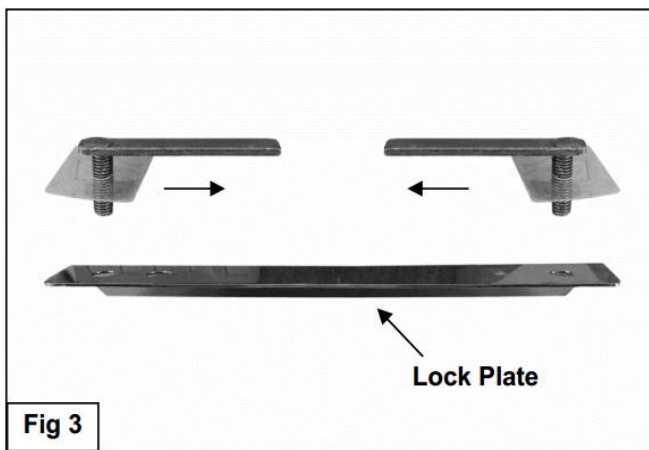
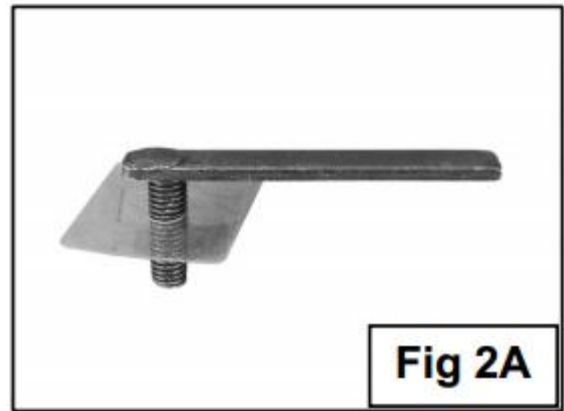
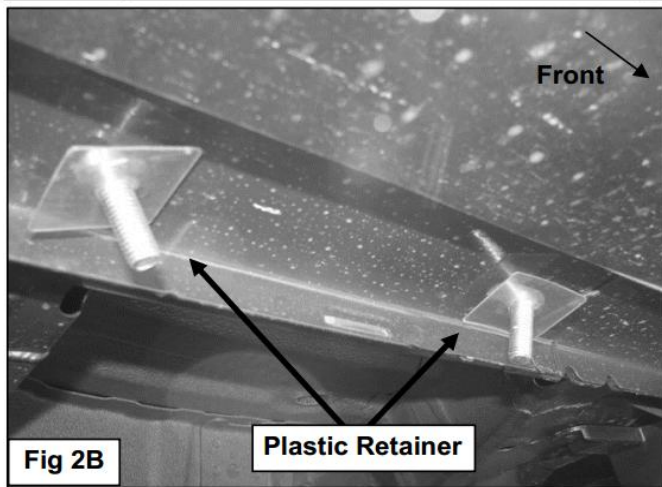
Part#: IB14RIG2

Application: For 2013-2018 Pathfinder (Excl. 15 Platinum Model)/2013-2017 Infiniti QX60

Passenger Side Installation Pictured



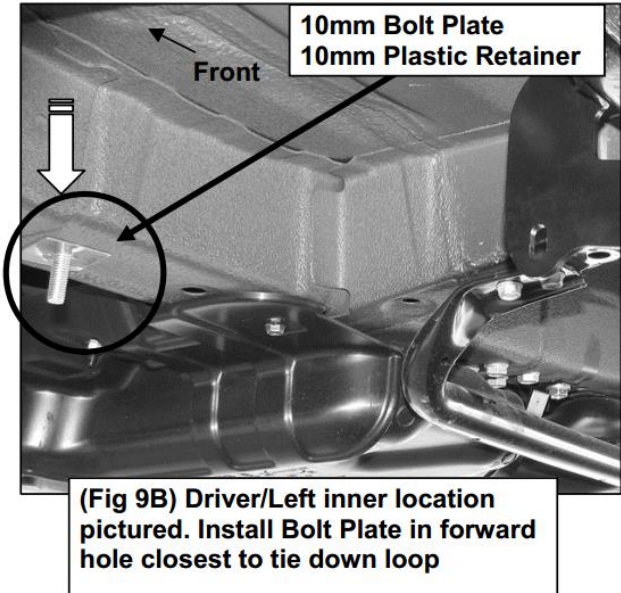
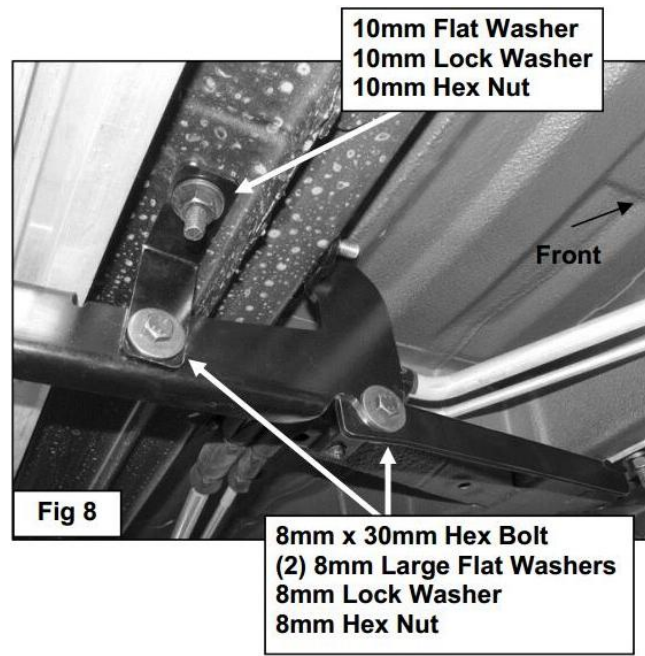
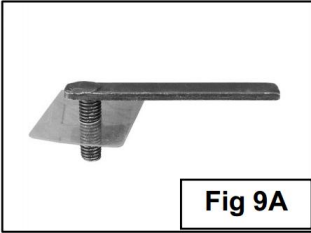
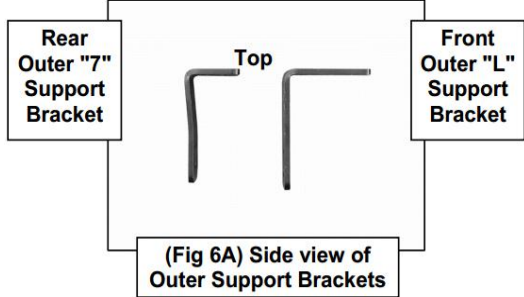
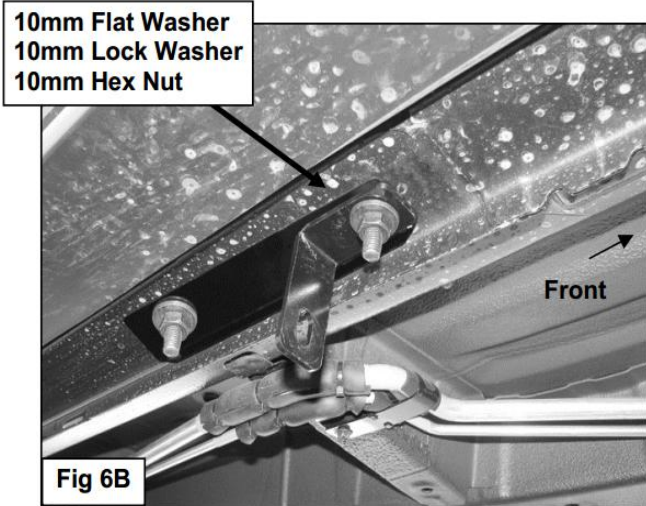
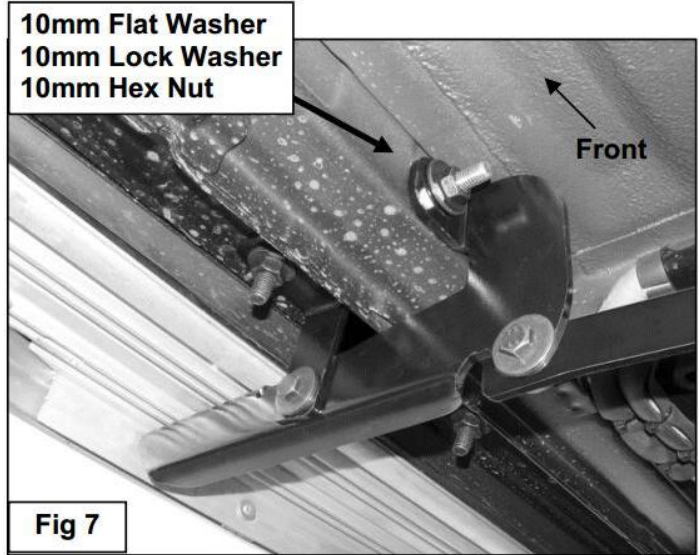
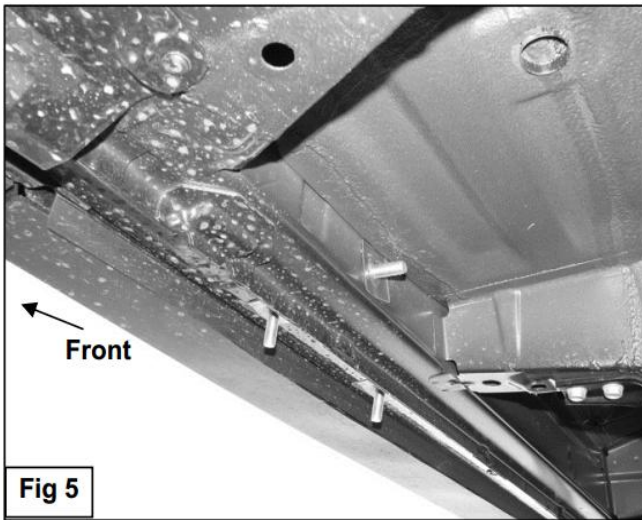
Passenger side front mounting location pictured from below. Remove (3) rubber plugs from factory holes



iRunning Board Installation Instruction

Part#: IB14RIG2

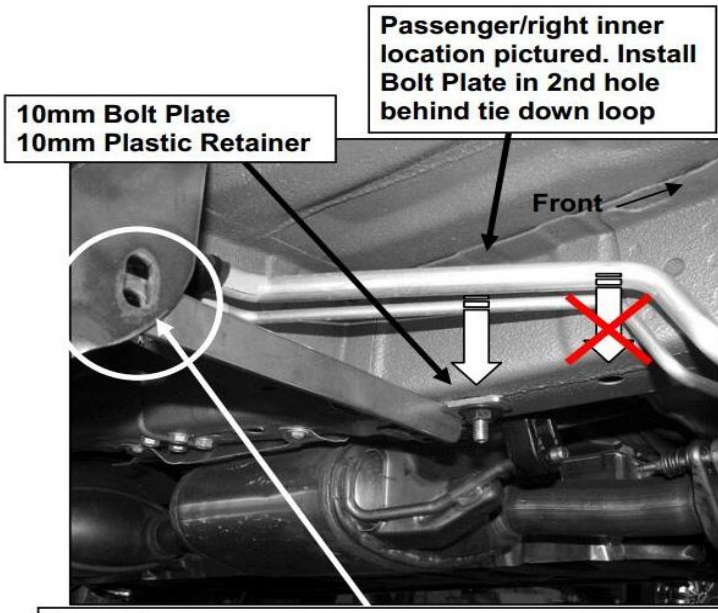
Application: For 2013-2018 Pathfinder (Excl. 15 Platinum Model)/2013-2017 Infiniti QX60



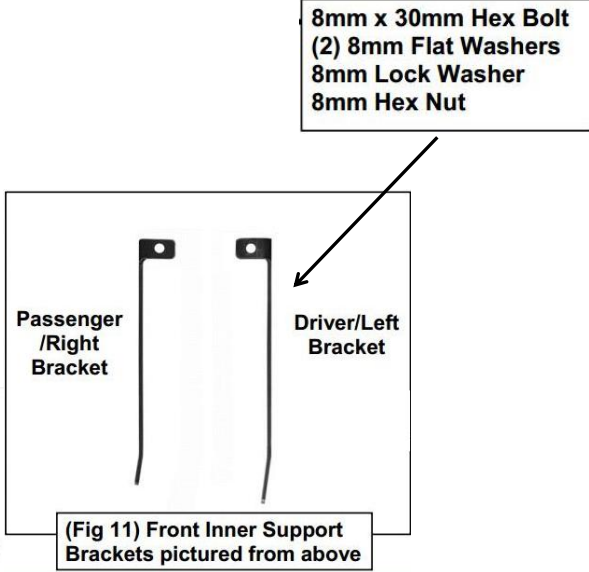
iRunning Board Installation Instruction

Part#: IB14RIG2

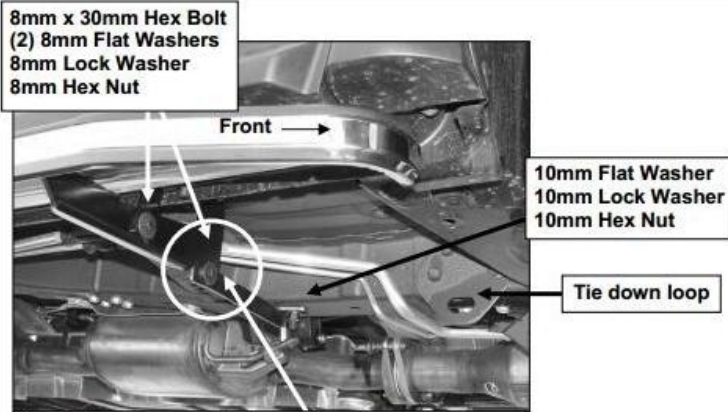
Application: For 2013-2018 Pathfinder (Excl. 15 Platinum Model)/2013-2017 Infiniti QX60



(Fig 10) Passenger/Right inner location pictured. Bolt Support Bracket to back side of Front Bracket



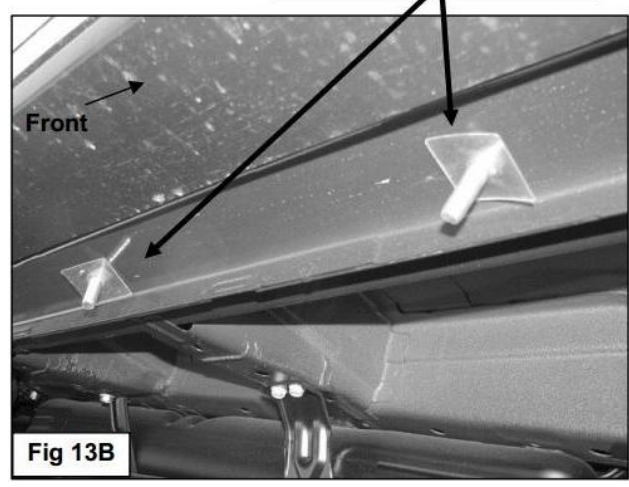
(Fig 11) Front Inner Support Brackets pictured from above



(Fig 12) passenger side Inner Front Support Bracket pictured.
NOTE: Bolt passenger side Support Bracket to back of Front Bracket.
Bolt driver side Support Bracket to front of Front Bracket



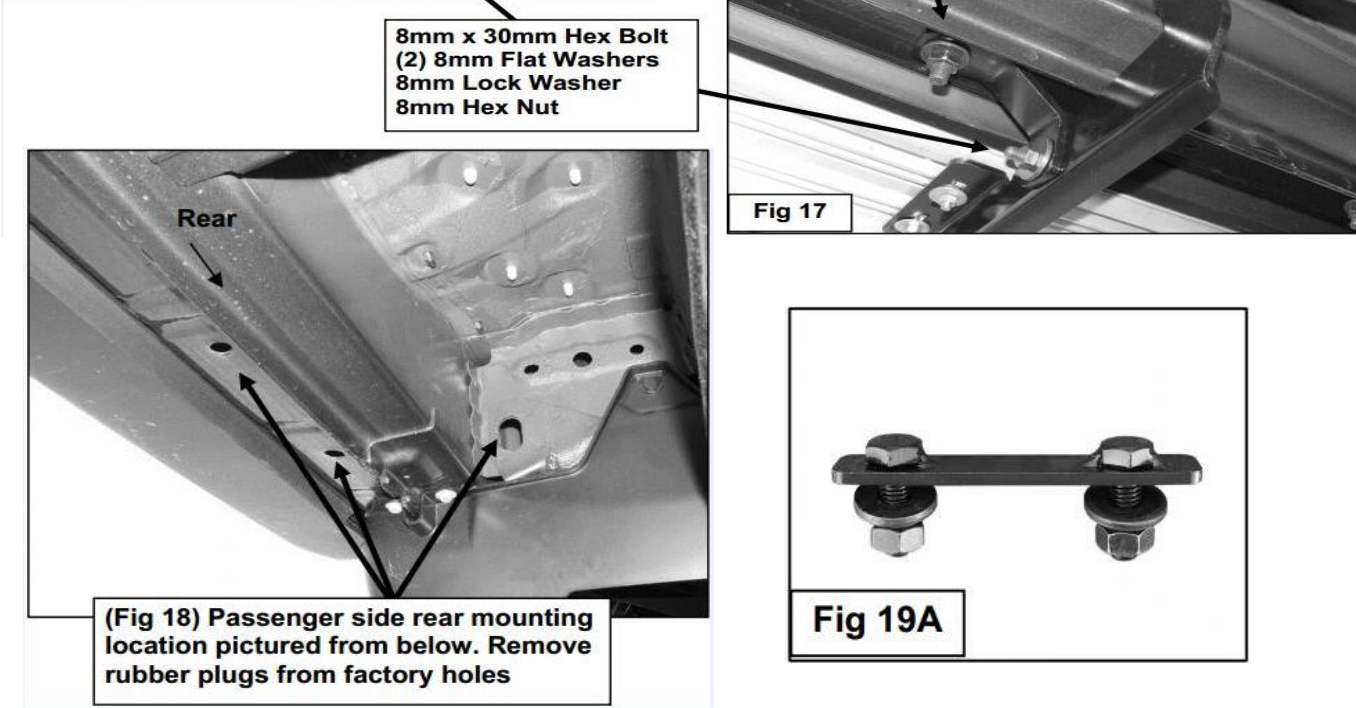
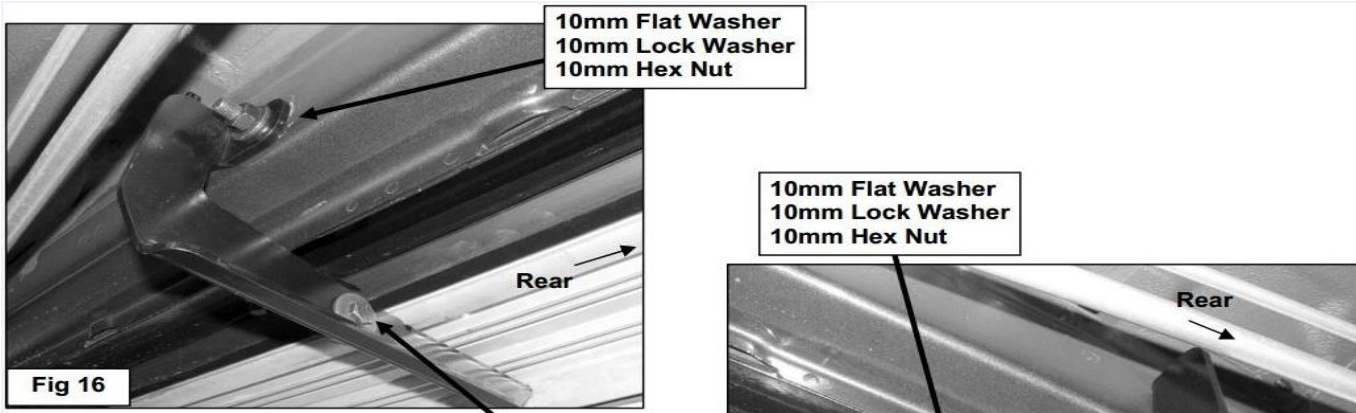
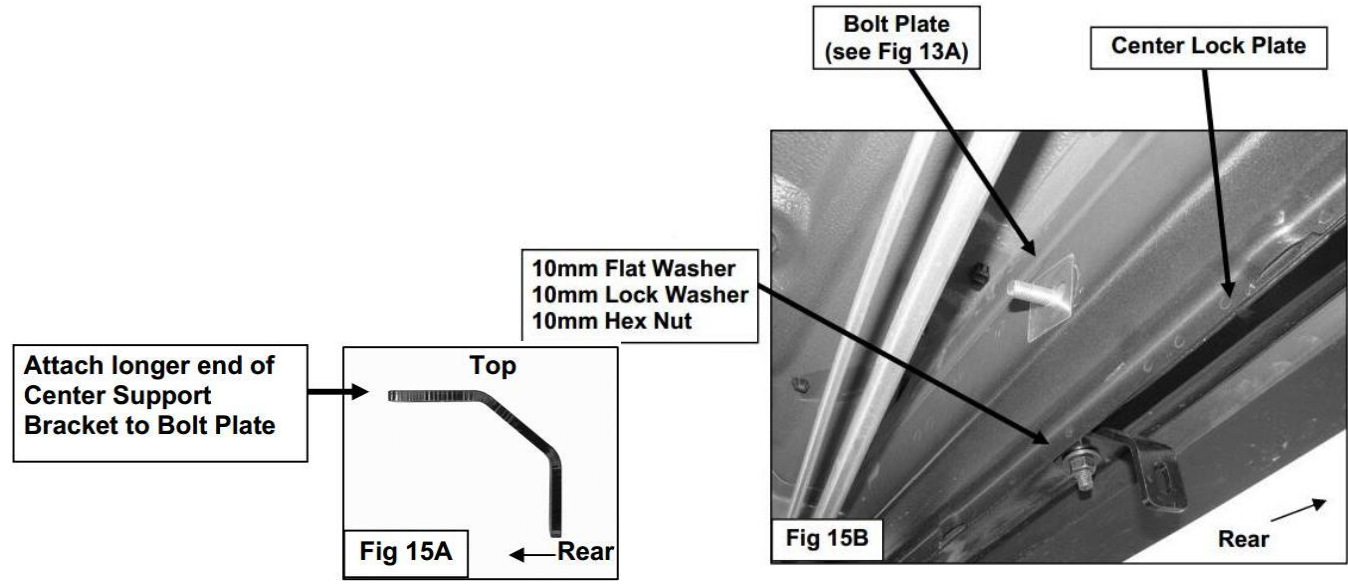
(Fig 14) Pass side Center Lock Plate pictured



iRunning Board Installation Instruction

Part#: IB14RIG2

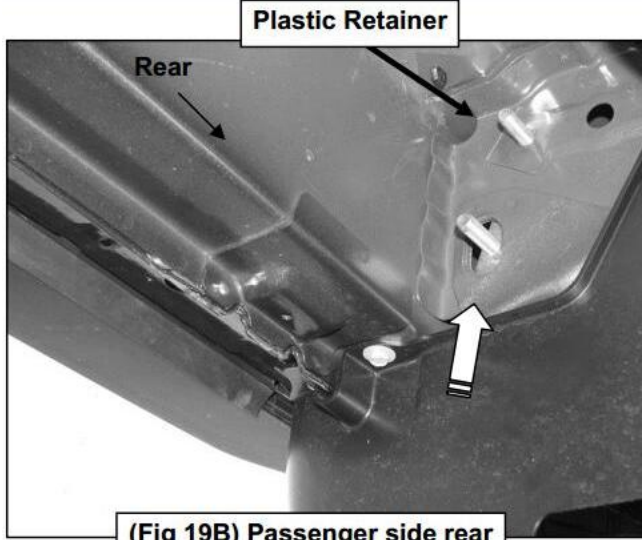
Application: For 2013-2018 Pathfinder (Excl. 15 Platinum Model)/2013-2017 Infiniti QX60



iRunning Board Installation Instruction

Part#: IB14RIG2

Application: For 2013-2018 Pathfinder (Excl. 15 Platinum Model)/2013-2017 Infiniti QX60



(Fig 19B) Passenger side rear mounting location pictured

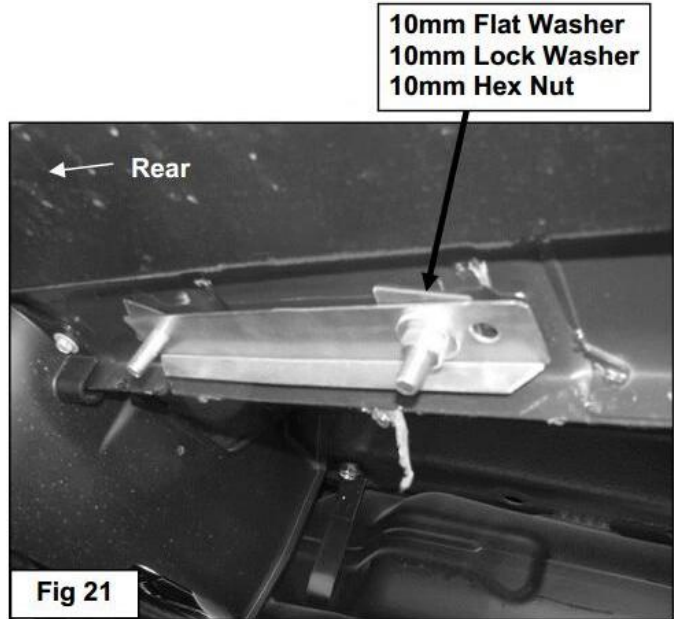


Fig 21

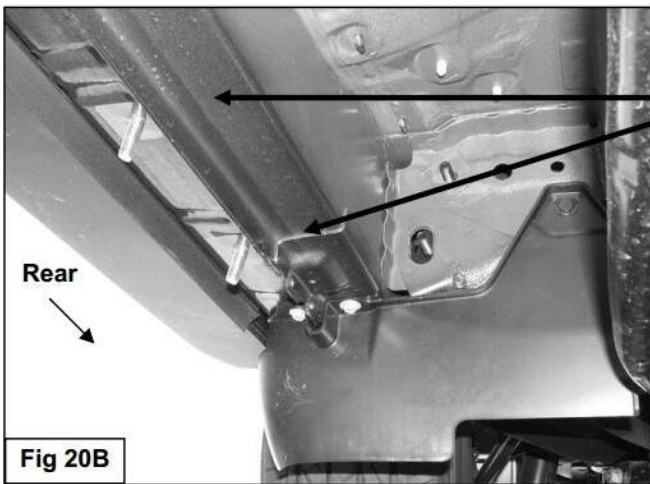


Fig 20B

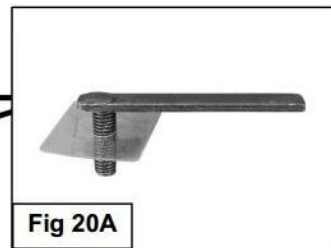


Fig 20A

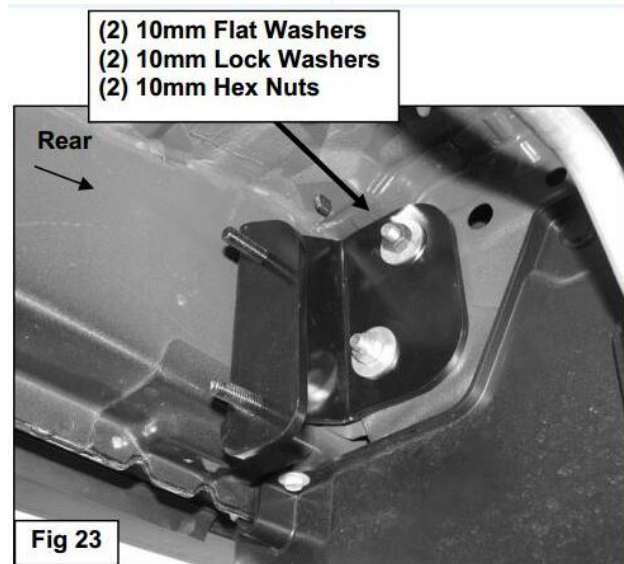


Fig 23

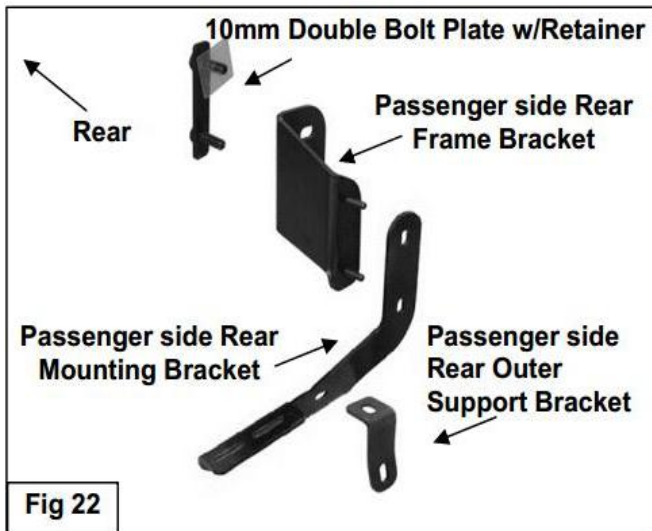
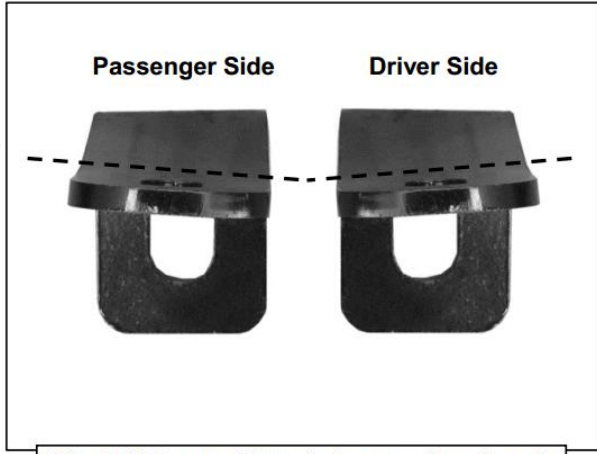
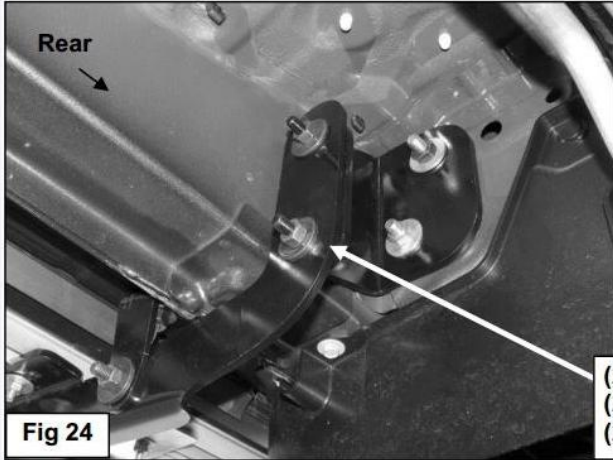


Fig 22

iRunning Board Installation Instruction

Part#: IB14RIG2

Application: For 2013-2018 Pathfinder (Excl. 15 Platinum Model)/2013-2017 Infiniti QX60

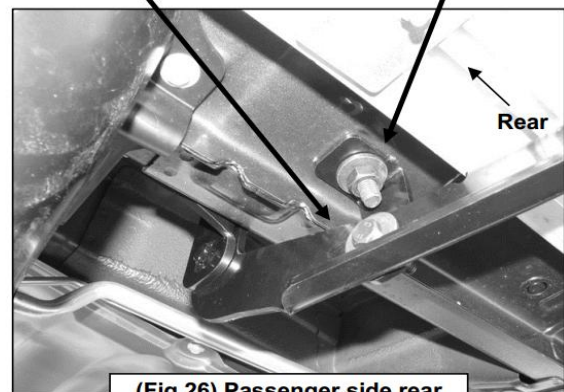


(Fig 25) Pictured from below to show bends

- (2) 8mm Flat Washers
- (2) 8mm Lock Washers
- (2) 8mm Hex Nuts

- 8mm x 30mm Hex Bolt
- (2) 8mm Flat Washers
- 8mm Lock Washer
- 8mm Hex Nut

- 10mm Flat Washer
- 10mm Lock Washer
- 10mm Hex Nut



(Fig 26) Passenger side rear Bracket pictured from below

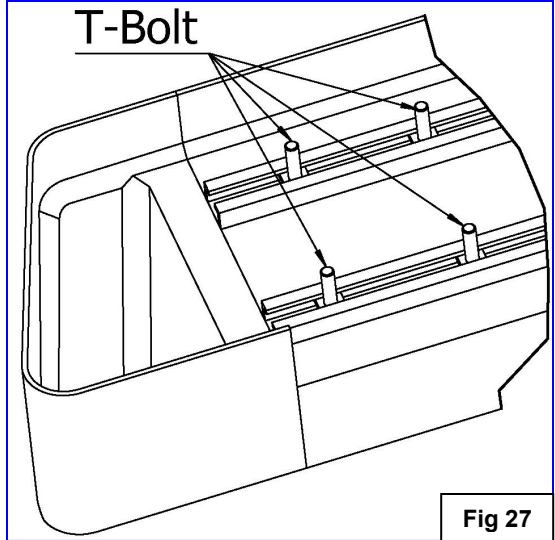
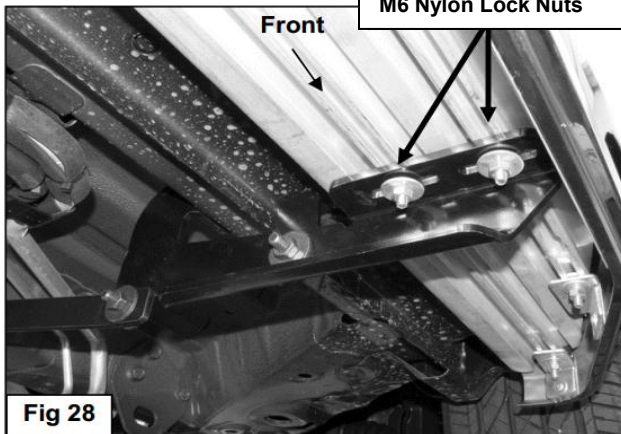


Fig 27

- M6 Square Hex Bolt
- M6 Flat Washers
- M6 Nylon Lock Nuts



INSTALLATION IS COMPLETE.