



iRunning Board Installation Instruction

Part#:IB14RIE2

Application: For 2005-2012 Nissan Pathfinder

Item	Part Name	QTY	Item	Part Name	QTY
1	STEP BOARD(Driver+Passenger)	2	4	M6 Flat Washers	12
2	Mounting Bracket	6	5	M6 Nylon Lock Nuts	12
3	M6X1-20mm Square Hex Bolt	12	6	M8 Flange Nut	12



Mounting Bracket

Installation Procedure

Step	Description
1	Remove contents from box and check for damage. Verify all parts are present. Read instructions completely before beginning. It is strongly recommended to install the Sure Grip Gap Strip for these vehicle applications.
2	Attach mounting brackets as shown SEE FIGURE 1.
3	Insert square head bolts as shown (3 per slot,6 per board). SEE FIGURE 2.
4	Attach board to brackets as shown . Make sure board and brackets are properly aligned and tighten fasteners. SEE FIGURE 3
5	INSTALLATION IS COMPLETE! SEE FIGURE 4.

FINISH PROTECTION

To protect your investment, wax this product after installing. Regular waxing is recommended to add a protective layer over the finish. Do not use any type of polish or wax that may contain abrasives that could damage the finish.

For Polished Finishes: Aluminum polish may be used to polish small scratches and scuffs on the finish. Mild soap may be used also to clean the Running Board.

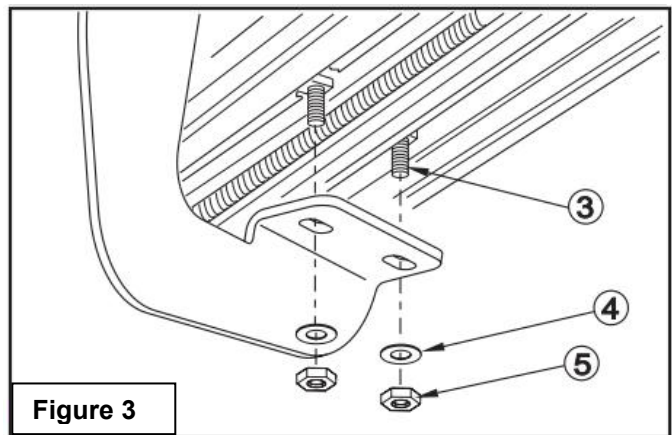
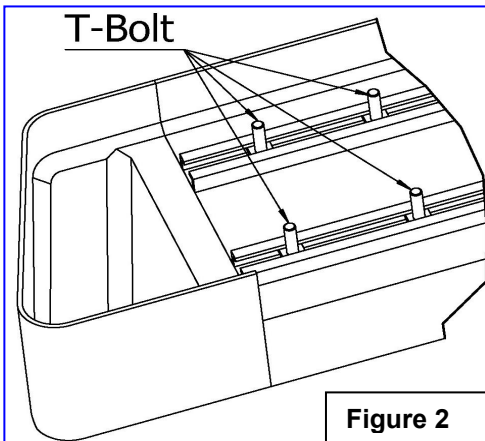
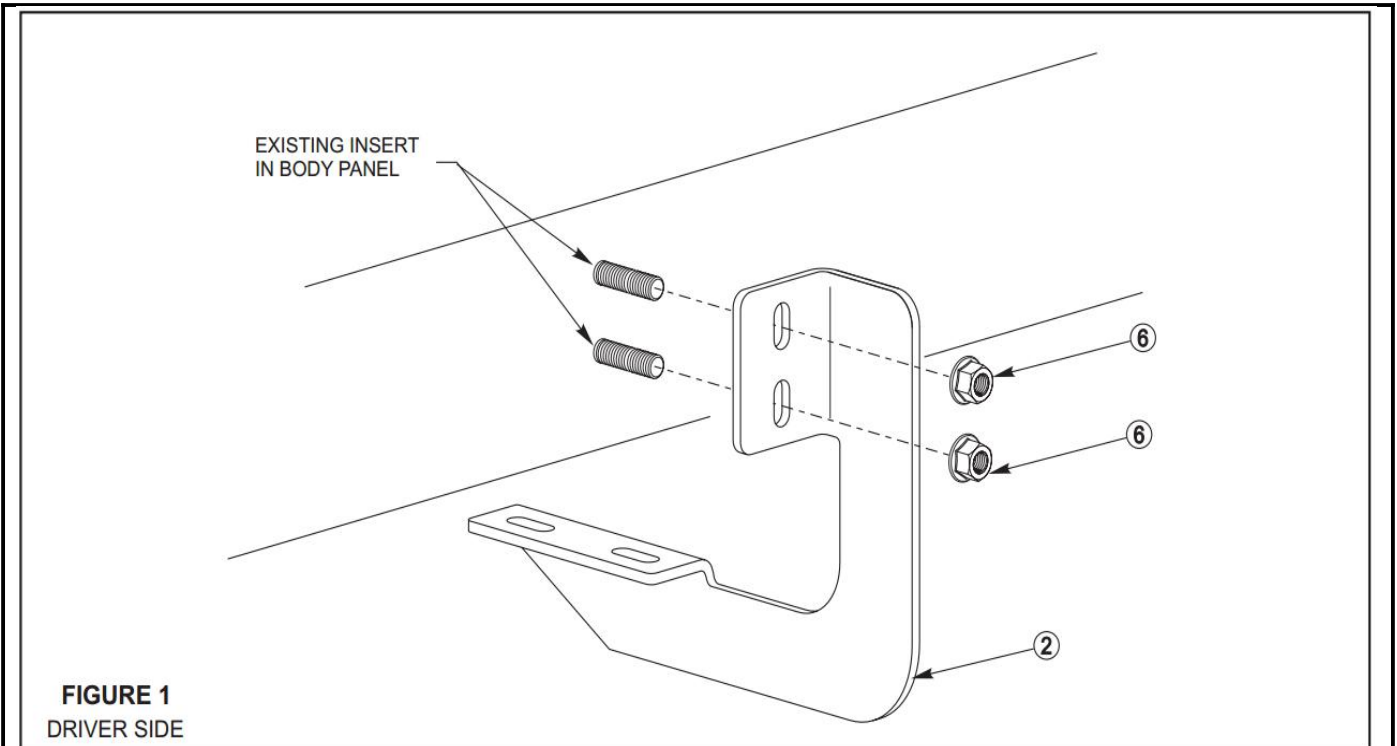
For black finishes: Mild soap may be used to clean the Running Board.

The instruction here is for your reference only. We strongly recommend the professional installer for best result. We are not responsible for any damage caused by the installation. Thank you for choosing our product!

iRunning Board Installation Instruction

Part#:IB14RIE2

Application: For 2005-2012 Nissan Pathfinder



The instruction here is for your reference only. We strongly recommend the professional installer for best result. We are not responsible for any damage caused by the installation. Thank you for choosing our product!