



## iRunning Board Installation Instruction

Part#: IB14RIE1

Application: For 2004-2015 Nissan Armada/Titan Crew Cab/ 2004-2009 Infiniti QX

Item	Part Name	QTY	Item	Part Name	QTY
1	STEP BOARD( Driver+Passenger)	4	6	M8 Lock Washers	6
2	Mounting Bracket	6	7	M6 Square Head Bolt	12
3	M8-1.25 X 25mm Hex Head Bolt	6	8	M6 Flat Washer	12
4	M8-1.25 Flange Nut	6	9	M6 Nylon Lock Nut	12
5	M8 Flat Washers	6			



Step	Description
1	Remove contents from box and check for damage. Verify all parts are present. Read instructions completely before beginning. It is strongly recommended to install the Sure Grip Gap Strip for these vehicle applications.
2	Install mounting brackets as shown.(See Figure 1 & 2)
3	Insert square head bolts as shown (3 per slot, 6 per board). (See Figure 3)
4	Attach board to brackets as shown. Make sure board and brackets are properly aligned and tighten fasteners. Recommended torque values are 10 FT.LBS. for M6 Square Head Bolt and 55 FT.LBS. for 6mm fasteners. (See Figure 4)
5	Repeat Installation for other side.
6	<b>INSTALLATION IS COMPLETE!</b> (See Figure 5)

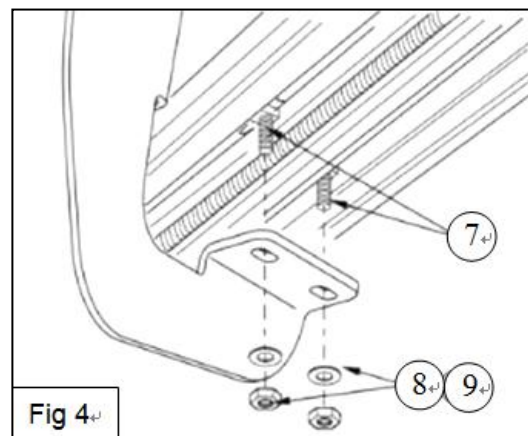
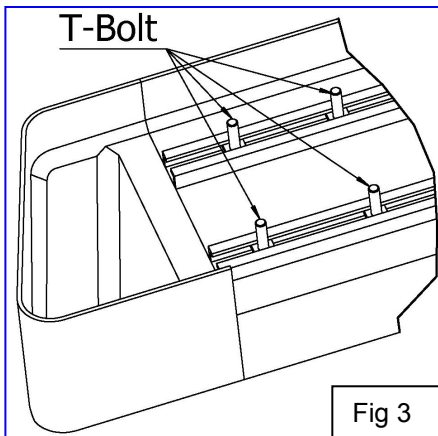
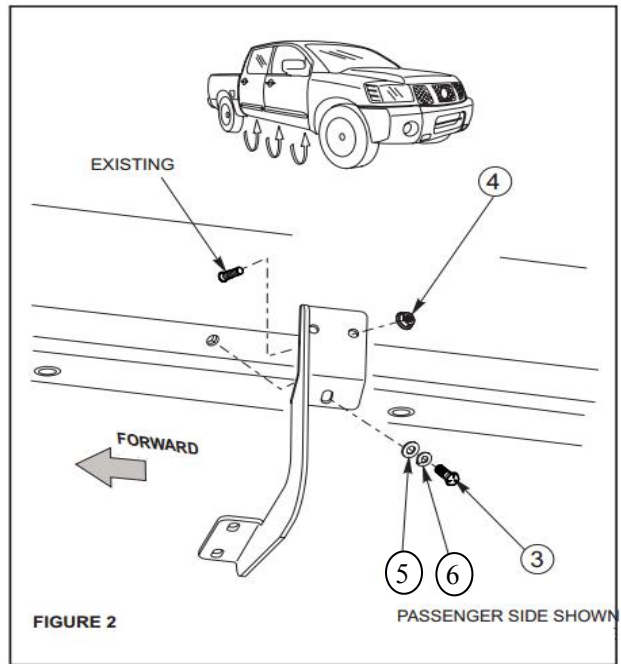
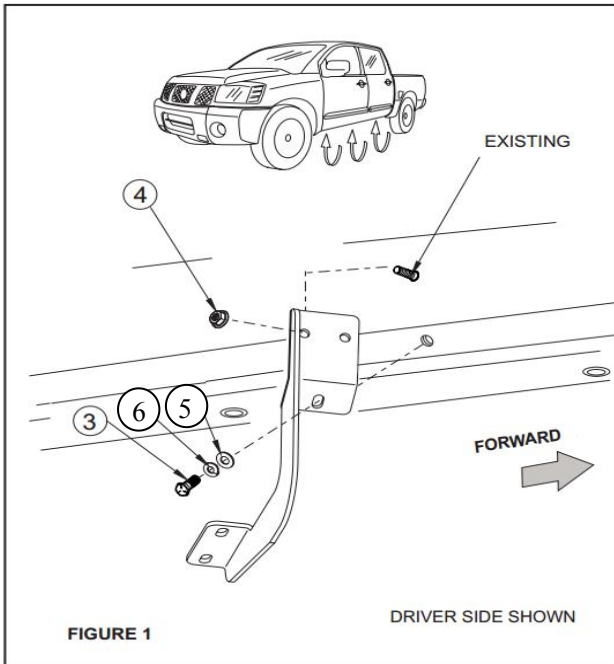
**To protect your investment**, wax this product after installing. Regular waxing is recommended to add a protective layer over the finish. Do not use any type of polish or wax that may contain abrasives that could damage the finish.  
**For Polished Finishes:** Aluminum polish may be used to polish small scratches and scuffs on the finish. Mild soap may be used also to clean the Running Board.  
**For black finishes:** Mild soap may be used to clean the Running Board.

The instruction here is for your reference only. We strongly recommend the professional installer for best result. We are not responsible for any damage caused by the installation. Thank you for choosing our product!

# iRunning Board Installation Instruction

Part#: IB14RIE1

Application: For 2004-2015 Nissan Armada/Titan Crew Cab/ 2004-2009 Infiniti QX



The instruction here is for your reference only. We strongly recommend the professional installer for best result. We are not responsible for any damage caused by the installation. Thank you for choosing our product!