

**PARTS LIST:**

Item	QTY	Description	Item	QTY	Description
#01	2	Running Board(use for left or right)	#05	8	8mm Hex Nuts
#02	2	Mounting Brackets use for left	#06	16	6mm Nylon Lock Nuts
#03	2	Mounting Brackets use for right	#07	16	6-1.0mm x 20mm T-Bolts
#04	8	8mm x 24mm x 2mm Flat Washers	#08	16	6mm x 22mm OD x 2mm Flat Washers
	8	8mm Lock Washers			

Front ↑



Mounting Brackets

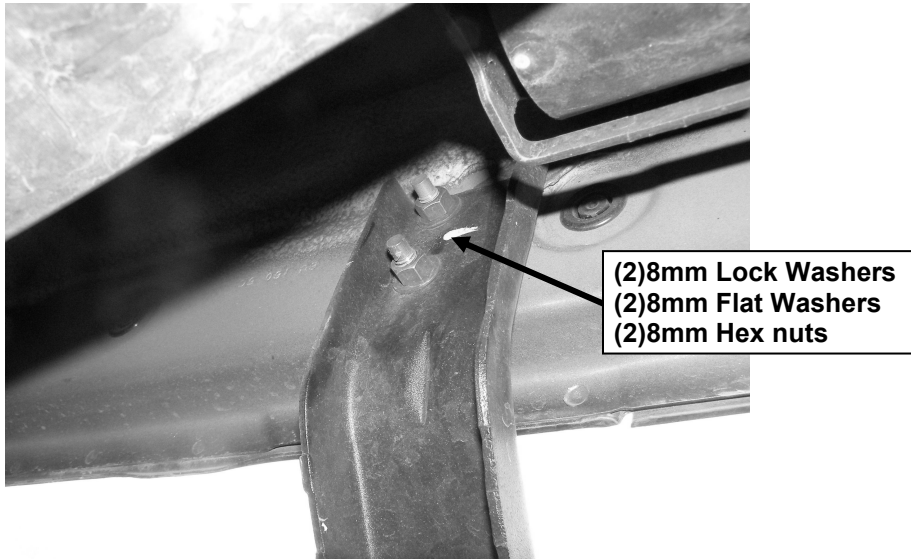
**PROCEDURE:**

- 1. REMOVE CONTENTS FROM BOX. VERIFY ALL PARTS ARE PRESENT. READ INSTRUCTIONS CAREFULLY.**
- On the passenger/right side, if equipped, remove the existing running board by removing the four nuts holding mount to inside of body. Install the two mounting brackets with the removed stock nuts, leave nuts loose for now. **NOTE:** Holes in brackets are off set, install with holes towards front of truck, passenger/right side shown.
- If not equipped with factory running boards – then use the four supplied 8mm nuts, washers & lock washers to install mounting brackets to truck.
- Once all (2) Brackets have been installed, Select a Running Board. Slip (8) 6mm T-Bolts into each bottom channel (**Figure 2**). Carefully position the Running Board onto the Mounting Brackets. Attach the Running Board to the Mounting Brackets with (4) 6mm T-bolts, (4) 6mm flat washers and (4) 6mm lock nuts, (**Figure 3**). Do not tighten hardware at this time.
- Repeat procedures 2 & 4 for driver/left side.
- Level and adjust Running Board as desired and tighten.
- Do periodic inspections to the installation to make sure that all hardware is secure and tight.

**To protect your investment**, wax this product after installing. Regular waxing is recommended to add a protective layer over the finish. Do not use any type of polish or wax that may contain abrasives that could damage the finish.

**For Polished Finishes:** Aluminum polish may be used to polish small scratches and scuffs on the finish. Mild soap may be used also to clean the Running Board.

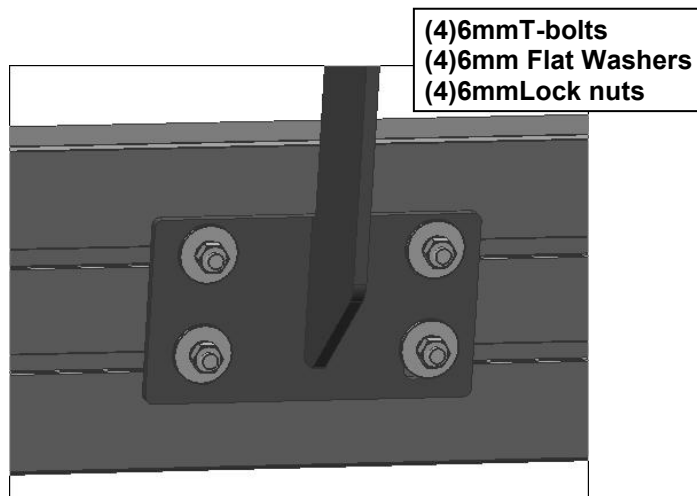
**For black finishes:** Mild soap may be used to clean the Running Board.



(Fig 1) Passenger side Bracket(example only)



(Fig 2) Slip 6mm T-bolts into the bottom channel



(Fig 3) Bracket Installation