

(6",5",4")RUNNING BOARD  
For 2004-2017 Nissan Titan King Cab

# Installation Instructions for IB14EJD9

by APS Auto Parts Specialist Inc.

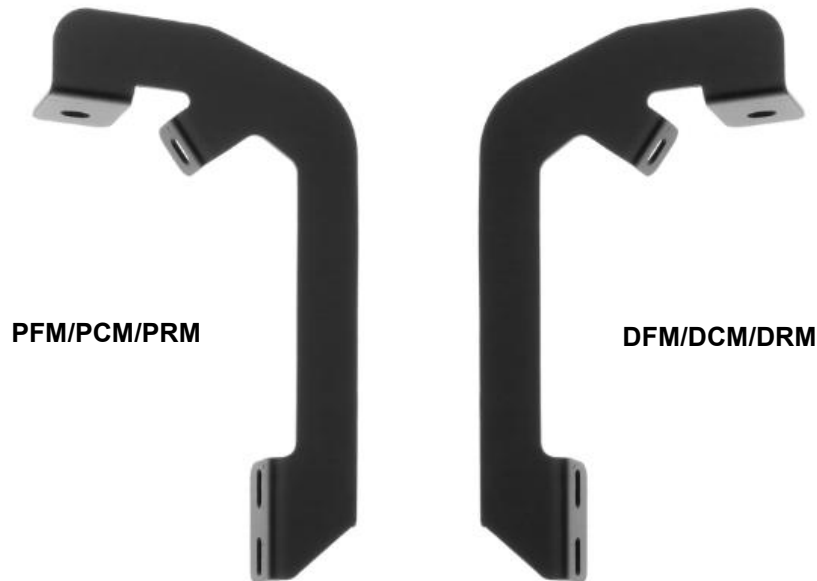
Application: For 2004-2017 Nissan Titan King Cab  
Estimated Time: 1 to 2 hours



Disclaimer: Instructions intended for persons aged 18+ please do not attempt without adult supervision. Instructions are not intended to replace professional installation. Damage from improper installation, misuse or modification to the product voids the manufacturer's warranty.

## PARTS LIST:

Item	QTY	Description	Item	QTY	Description
#01	2	Running Board(use for left or right)	#06	12	8mm x 24mm OD x 2mm Flat Washers
#02	3	Driver/Left Mounting Brackets	#07	6	M8 Nylon Lock Nuts
#03	3	Passenger/Right Mounting Brackets	#08	12	M6X1.0 - 20mm T-Bolts
#04	12	M8X1.2 - 30mm Hex Bolts	#09	12	6mm x 22mm OD x 2mm Flat Washers
#05	12	M8 Lock Washers	#10	12	M6 Nylon Lock Nuts



## PROCEDURE:

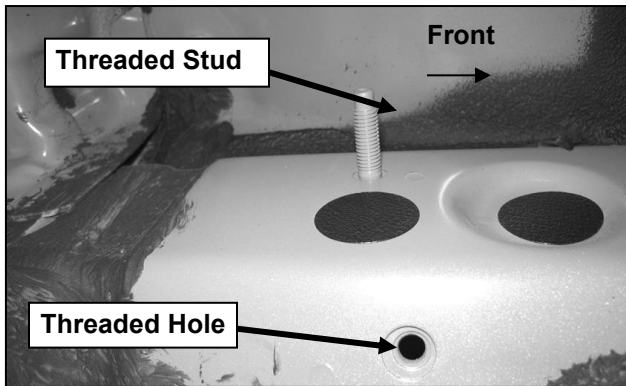
- 1. REMOVE CONTENTS FROM BOX. VERIFY ALL PARTS ARE PRESENT. READ INSTRUCTIONS CAREFULLY BEFORE STARTING INSTALLATION.**
- Start installation at the front of the driver side of the vehicle and locate the factory threaded holes or stud located on the side of the inner body panel, **(Figure 1)**. **NOTE:** Remove the plastic plug or any insulation on the side panel to locate the threaded holes.
- Select (1) driver side Mounting Bracket. Attach the Bracket to the mounting location with:
  - a. Models with threaded stud:** Attach Bracket to stud with (1) 8mm x 24mm Flat Washer and (1) 8mm Nylon Lock Nut. Next, insert (1) 8mm x 30mm Hex Bolt with (1) 8mm Lock Washer and (1) 8mm x 16mm Small Flat Washer through the remaining lower hole in the Bracket and into the threaded hole, **(Figures 1A, 2 and 3)**. Do not tighten hardware at this time.
  - b. Models without threaded stud:** Attach Bracket to the upper threaded hole with (1) 8mm x 24mm Flat Washer, (1) 8mm Lock Washer and (1) 8mm x 30mm Hex Bolt. Attach Bracket to the lower threaded hole with (1) 8mm x 24mm Flat Washer, (1) 8mm Lock Washer and (1) 8mm Hex Bolt, **(Figure 1B & 2)**. Do not tighten hardware at this time.
- There are (4) mounting locations along the body panel. Bracket installation will use the 1<sup>st</sup>, 2<sup>nd</sup> and 4<sup>th</sup> mounting locations. Repeat the appropriate **Steps 2—3** to install the center and rear Mounting Brackets. **NOTE:** The cradles on the Mounting Brackets should be facing the rear of the vehicle when properly installed.
- Once all three Mounting Brackets are partially installed, Select the Running Board. Slip (12) 6mm T-Bolts into each bottom channel **(Figure 4)**. Carefully position the Running Board onto the Mounting Brackets. Attach the Running Board to the Mounting Brackets with (4) M6 T-bolts, (4) M6 flat washers and (4) M6 nylon lock nuts, **(Figure 5)**. Do not tighten hardware at this time.
- Level and adjust the Running Board and tighten all hardware at this time.
- Repeat **Steps 2—6** for passenger Running Board installation.
- Do periodic inspections of the installation to make sure that all hardware is secure and tight.

**To protect your investment**, wax this product after installing. Regular waxing is recommended to add a protective layer over the finish. Do not use any type of polish or wax that may contain abrasives that could damage the finish.

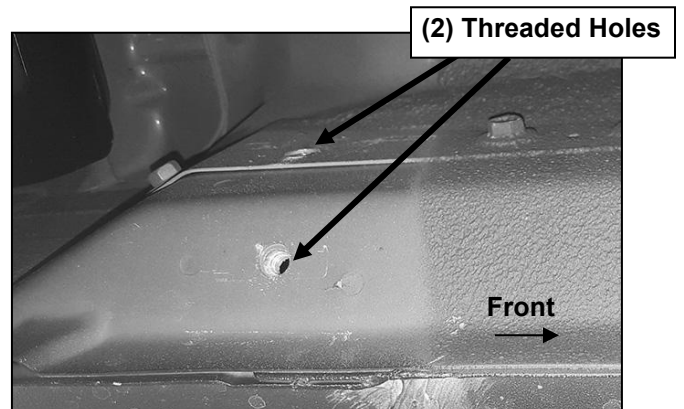
**For Polished Finishes:** Aluminum polish may be used to polish small scratches and scuffs on the finish. Mild soap may be used also to clean the Running Board.

**For Black Finishes:** Mild soap may be used to clean the Running Board.

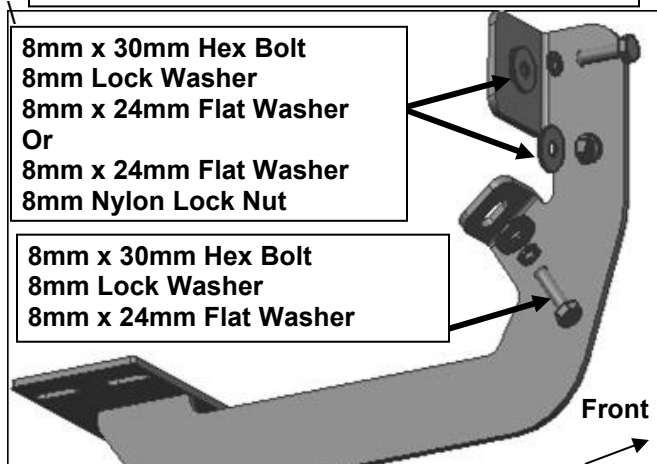
### Driver Side Installation Pictured



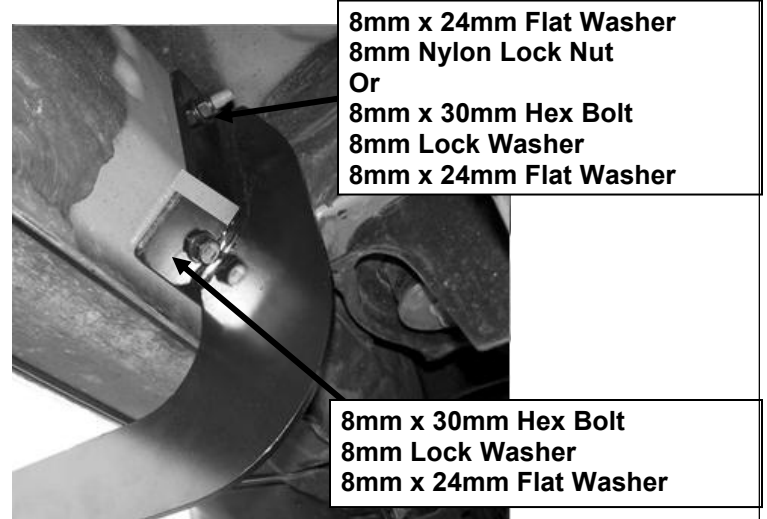
(Fig 1A) Up to 2015 driver side rear mounting location pictured. Note: Remove plastic plugs to locate factory threaded holes



(Fig 1B) 2016-on driver side rear mounting location pictured. Note: two factory threaded holes only



(Fig 2) Driver/left Bracket illustrated for example only

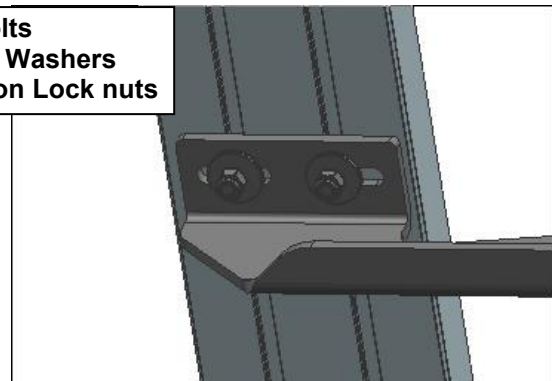


(Fig 3) Up to 2015 Driver side Bracket installed



(Fig 4) Slip 6mm T-bolts into the bottom channel

- (2)M6T-bolts
- (2)M6 Flat Washers
- (2)M6 Nylon Lock nuts



(Fig 5) Bracket Installation