

Installation Instructions for IB14EJD9

by APS Auto Parts Specialist Inc.

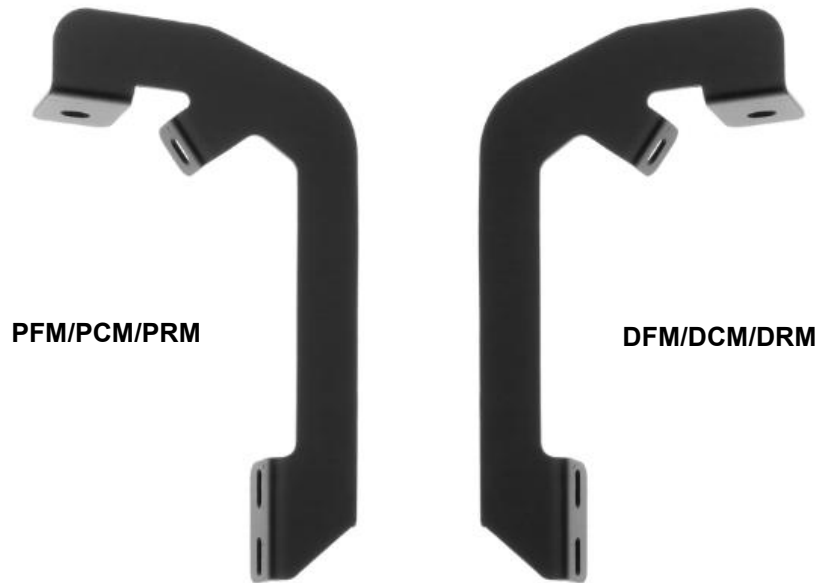
Application: For 2004-2017 Nissan Titan King Cab
Estimated Time: 1 to 2 hours



Disclaimer: Instructions intended for persons aged 18+ please do not attempt without adult supervision. Instructions are not intended to replace professional installation. Damage from improper installation, misuse or modification to the product voids the manufacturer's warranty.

PARTS LIST:

Item	QTY	Description	Item	QTY	Description
#01	2	Running Board(use for left or right)	#06	12	8mm x 24mm OD x 2mm Flat Washers
#02	3	Driver/Left Mounting Brackets	#07	6	M8 Nylon Lock Nuts
#03	3	Passenger/Right Mounting Brackets	#08	12	M6X1.0 - 20mm T-Bolts
#04	12	M8X1.2 - 30mm Hex Bolts	#09	12	6mm x 22mm OD x 2mm Flat Washers
#05	12	M8 Lock Washers	#10	12	M6 Nylon Lock Nuts



PROCEDURE:

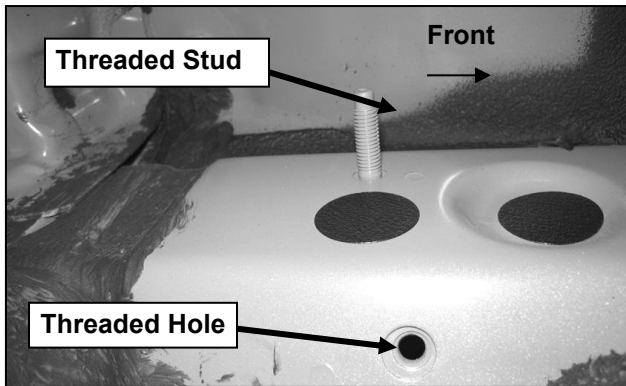
1. REMOVE CONTENTS FROM BOX. VERIFY ALL PARTS ARE PRESENT. READ INSTRUCTIONS CAREFULLY BEFORE STARTING INSTALLATION.
2. Start installation at the front of the driver side of the vehicle and locate the factory threaded holes or stud located on the side of the inner body panel, **(Figure 1)**. **NOTE:** Remove the plastic plug or any insulation on the side panel to locate the threaded holes.
3. Select (1) driver side Mounting Bracket. Attach the Bracket to the mounting location with:
 - a. **Models with threaded stud:** Attach Bracket to stud with (1) 8mm x 24mm Flat Washer and (1) 8mm Nylon Lock Nut. Next, insert (1) 8mm x 30mm Hex Bolt with (1) 8mm Lock Washer and (1) 8mm x 16mm Small Flat Washer through the remaining lower hole in the Bracket and into the threaded hole, **(Figures 1A, 2 and 3)**. Do not tighten hardware at this time.
 - b. **Models without threaded stud:** Attach Bracket to the upper threaded hole with (1) 8mm x 24mm Flat Washer, (1) 8mm Lock Washer and (1) 8mm x 30mm Hex Bolt. Attach Bracket to the lower threaded hole with (1) 8mm x 24mm Flat Washer, (1) 8mm Lock Washer and (1) 8mm Hex Bolt, **(Figure 1B & 2)**. Do not tighten hardware at this time.
4. There are (4) mounting locations along the body panel. Bracket installation will use the 1st, 2nd and 4th mounting locations. Repeat the appropriate **Steps 2—3** to install the center and rear Mounting Brackets. **NOTE:** The cradles on the Mounting Brackets should be facing the rear of the vehicle when properly installed.
5. Once all three Mounting Brackets are partially installed, Select the Running Board. Slip (12) 6mm T-Bolts into each bottom channel **(Figure 4)**. Carefully position the Running Board onto the Mounting Brackets. Attach the Running Board to the Mounting Brackets with (4) M6 T-bolts, (4) M6 flat washers and (4) M6 nylon lock nuts, **(Figure 5)**. Do not tighten hardware at this time.
6. Level and adjust the Running Board and tighten all hardware at this time.
7. Repeat **Steps 2—6** for passenger Running Board installation.
8. Do periodic inspections of the installation to make sure that all hardware is secure and tight.

To protect your investment, wax this product after installing. Regular waxing is recommended to add a protective layer over the finish. Do not use any type of polish or wax that may contain abrasives that could damage the finish.

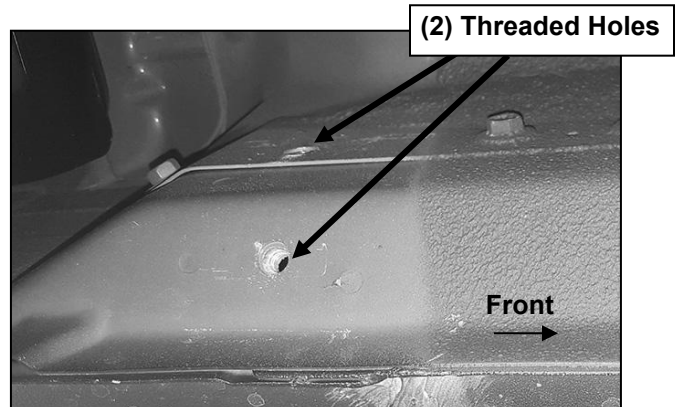
For Polished Finishes: Aluminum polish may be used to polish small scratches and scuffs on the finish. Mild soap may be used also to clean the Running Board.

For Black Finishes: Mild soap may be used to clean the Running Board.

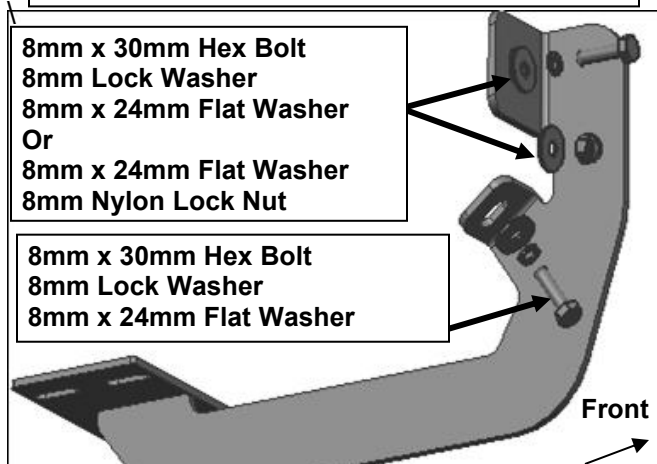
Driver Side Installation Pictured



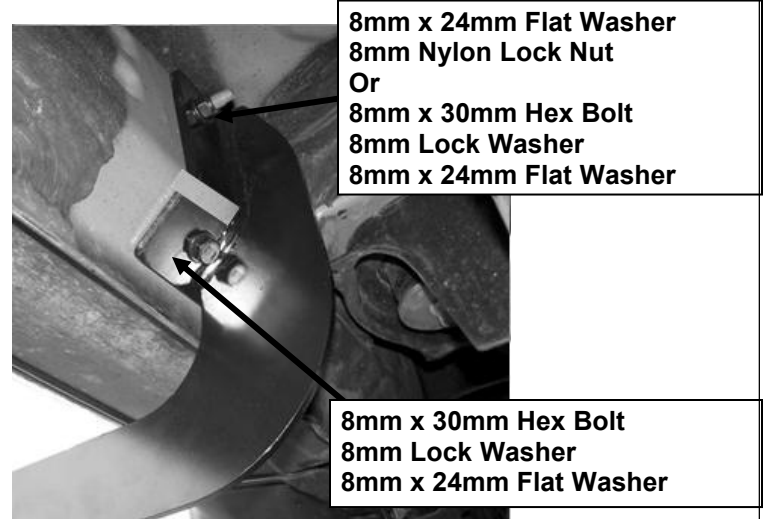
(Fig 1A) Up to 2015 driver side rear mounting location pictured. Note: Remove plastic plugs to locate factory threaded holes



(Fig 1B) 2016-on driver side rear mounting location pictured. Note: two factory threaded holes only



(Fig 2) Driver/left Bracket illustrated for example only

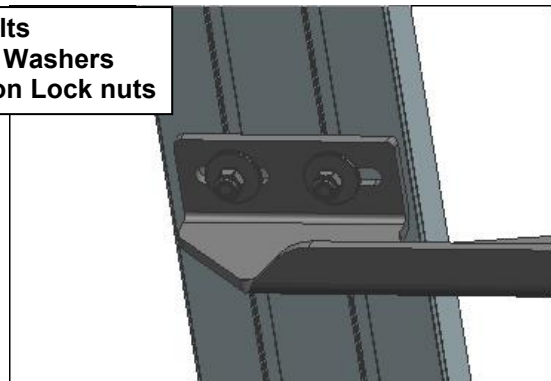


(Fig 3) Up to 2015 Driver side Bracket installed



(Fig 4) Slip 6mm T-bolts into the bottom channel

- (2)M6T-bolts
- (2)M6 Flat Washers
- (2)M6 Nylon Lock nuts



(Fig 5) Bracket Installation