

(6",5",4")RUNNING BOARD
For 2013-2017 Infiniti QX60 / 2013-2018 Nissan Pathfinder (Excl. 15 Platinum model)

Installation Instructions for IB14EAH0

by APS Auto Parts Specialist Inc.

Application: For 2013-2017 Infiniti QX60 / 2013-2018 Nissan Pathfinder (Excl. 15 Platinum model)

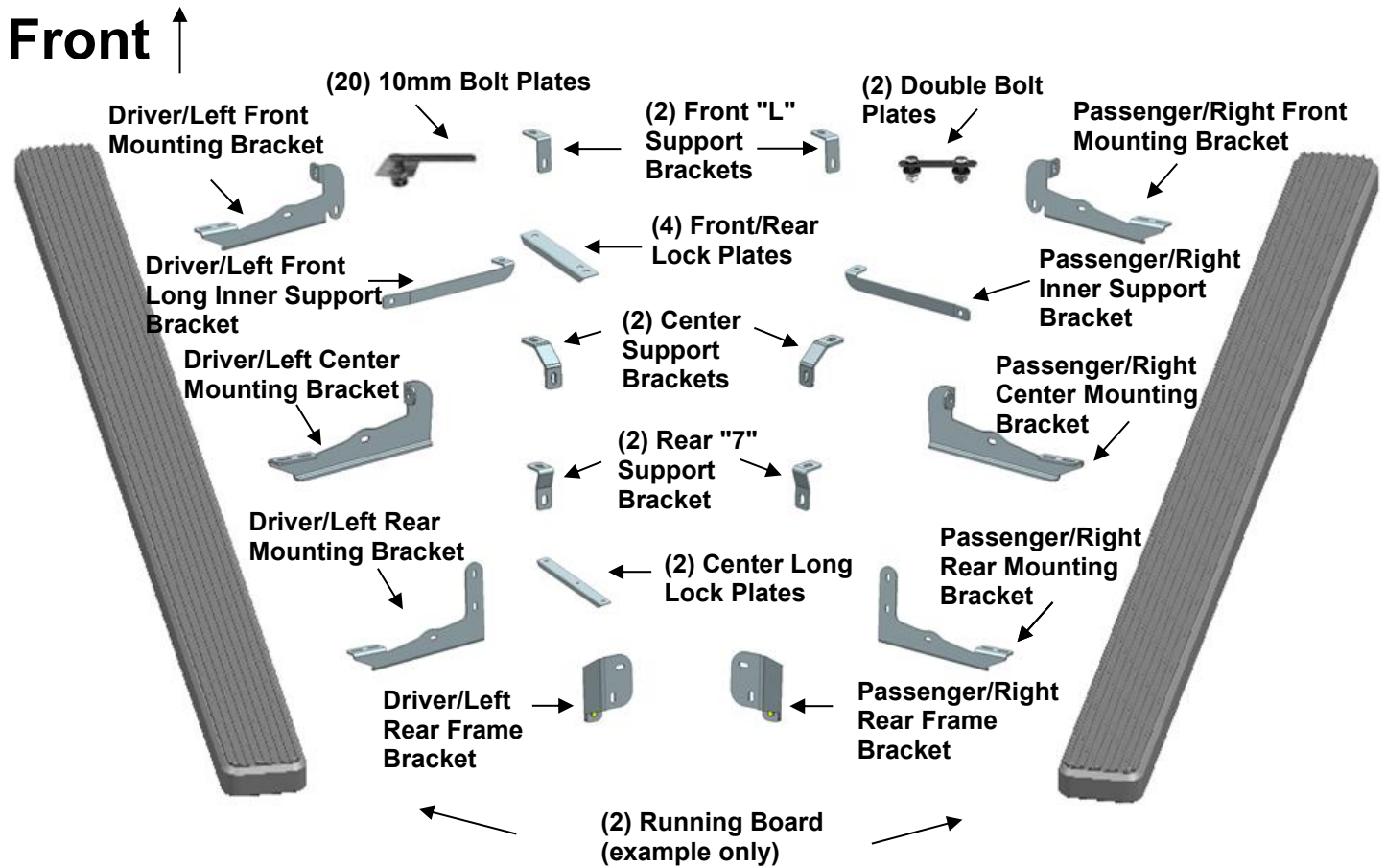
Estimated Time: 1 to 2 hours



Disclaimer: Instructions intended for persons aged 18+ please do not attempt without adult supervision. Instructions are not intended to replace professional installation. Damage from improper installation, misuse or modification to the product voids the manufacturer's warranty.

PARTS LIST:

Item	QTY	Description	Item	QTY	Description
#01	2	Running Board(use for left or right)	#16	4	Front/Rear Lock Plates (DFS2/PFS2/DRS2/PRS2)
#02	1	Driver/Left Front Mounting Bracket (DFM)	#17	2	10mm Double Bolt Plates
#03	1	Passenger/Right Front Mounting Bracket (PFM)	#18	20	10mm Low Profile Single Bolt Plates
#04	1	Driver/Left Front Long Inner Support Bracket (DFS1)	#19	20	10mm Plastic Retainers
#05	1	Passenger/Right Front Long Inner Support Bracket (PFS1)	#20	24	10mm Flat Washers
#06	2	Front "L" Outer Support Brackets (DFS/PFS)	#21	24	10mm Lock Washers
#07	1	Driver/Left Center Mounting Bracket (DCM)	#22	24	10mm Hex Nuts
#08	1	Passenger/Right Center Mounting Bracket (PCM)	#23	8	8mm Hex Bolts
#09	2	Center Support Brackets (DCS/PCS)	#24	20	8mm Flat Washers
#10	1	Driver/Left Rear Frame Mounting Bracket (DRS1)	#25	12	8mm Lock Washers
#11	1	Passenger/Right Rear Frame Mounting Bracket (PRS1)	#26	12	8mm Hex Nuts
#12	1	Driver/Left Rear Mounting Bracket (DRM)	#27	12	M6 T-Bolts
#13	1	Passenger/Right Rear Mounting Bracket (PRM)	#28	12	M6 Flat Washers
#14	2	Rear "7" Outer Support Bracket (DRS/PRS)	#29	12	M6 Nylon Lock Nuts
#15	2	Center Long Lock Plates (DCS1/PCS1)			



PROCEDURE:

REMOVE CONTENTS FROM BOX. VERIFY ALL PARTS ARE PRESENT. READ FACTORY BODY BOLT REMOVAL INSTRUCTIONS AND INSTALLATION INSTRUCTIONS CAREFULLY BEFORE STARTING INSTALLATION.

1. Start installation on the passenger side of the vehicle. Locate and remove the (2) rubber plugs in the bottom of the outer frame channel closest to the front wheel opening, **(Figure 1)**.
2. Select (2) 10mm Bolt Plates and (2) 10mm Plastic Retainers, **(Figure 2A)**. Partially thread the Retainers onto the Bolt Plates. **NOTE:** The Plastic Retainer is designed to help hold the Bolt Plate in place during Bracket installation.
3. Insert (1) Bolt Plate into the first-forward hole with the plate pointed toward the rear of the vehicle, **(Figure 2B)**. Thread the Plastic Retainer down tight against the body panel. Repeat to install the next Bolt Plate into the second hole with the Plate pointed toward the front of the vehicle, **(Figures 2B & 3)**. **IMPORTANT:** The Plates on the (2) Bolt Plates must be pointed toward each other, **(Figure 3)**. Repeat this **Step** for all (6) Lock Plate installations.
4. Select (1) Front or Rear Lock Plate, **(Figure 3)**. Slide the Lock Plate over the (2) Bolt Plates with the bent side toward the pinch weld. Attach the Lock Plate to the rear Bolt Plate only with (1) 10mm Flat Washer, (1) 10mm Lock Washer and (1) 10mm Hex Nut, **(Figure 4)**. Tighten the Hex Nut at this time.
5. Locate the round hole in the back of the outer frame channel directly behind the previously installed Bolt Plates, **(Figures 1 & 5)**. Remove the rubber plug. Select (1) 10mm Bolt Plate and (1) 10mm Plastic Retainer, **(Figure 2A)**. Partially thread the Retainer onto the Bolt Plate. Insert the Bolt Plate into the hole and tighten the Retainer as previously described in **Step 4**. Repeat this **Step** for all (6) single Bolt Plate installations.

IMPORTANT: Mounting areas may be covered with undercoating. Scrape excess undercoating from body panel at all mounting locations. Brackets must mount flat against body panels.

6. Select (1) Front "L" Support Bracket, **(Figure 6A)**. Attach the shorter leg on the Support Bracket to the front Bolt Plate with (1) 10mm Flat Washer, (1) 10mm Lock Washer and (1) 10mm Hex Nut, **(Figure 6B)**. Leave hardware loose at this time.
7. Select the passenger side Front Mounting Bracket. Attach the Bracket to the Bolt Plate in the back of the frame channel first with (1) 10mm Flat Washer, (1) 10mm Lock Washer and (1) 10mm Hex Nut, **(Step 6, Figure 7)**. Attach the Mounting Bracket to the back of the previously installed "L" Support Bracket with (1) 8mm x 30mm Hex Bolt, (2) 8mm Flat Washers, (1) 8mm Lock Washer and (1) 8mm Hex Nut, **(Figures 7 & 8)**. Do not tighten hardware at this time.
8. Select (1) 10mm Bolt Plate and (1) 10mm Plastic Retainer, **(Figures 2A & 9)**. Partially thread the Retainer onto the Bolt Plate.
9. Next, locate the factory holes in the bottom of the inner frame channel directly behind the tie down loop where the frame is joined together. Insert the Bolt Plate, (as per **Step 4**), into the correct factory hole:
Passenger side installation: Use the 2nd factory hole back from the loop, **(Figures 11 & 12)**.
Driver side installation: Use the factory hole closest to the tie down loop, **(Figure 13)**.
10. Select the correct Inner Front Support Bracket, **(Figure 10)**. Attach the 90-degree bent end of the Support Bracket to the Bolt Plate in the frame channel with (1) 10mm Flat Washer, (1) 10mm Lock Washer and (1) 10mm Hex Nut, **(Figures 11 & 13)**.
11. Bolt the outer end of the Support Bracket to the front Mounting Bracket with (1) 8mm x 30mm Hex Bolt, (2) 8mm Flat Washers, (1) 8mm Lock Washer and (1) 8mm Hex Nut, **(Figures 12 & 13)**.
12. **Attach the passenger side** Inner Support Bracket to the **back** of the Front Mounting Bracket, **(Figures 11 & 12)**.
Attach the driver side Inner Support Bracket to the **front** of the Front Mounting Bracket, **(Figure 13)**. Do not tighten hardware at this time.
13. Move along the side of the vehicle to the approximate center where the doors meet. Locate and remove the (2) rubber plugs from the bottom of the outer frame channel. Repeat **Steps 3—5** to install (2) Bolt Plates and (1) Long Center Lock Plate to the bottom of the frame channel, **(Figures 14 & 15)**.
14. Next, locate the single hole in the back of the outer frame channel, **(Figure 16B)**. Remove rubber plug if equipped. Select (1) 10mm Bolt Plate and (1) 10mm Plastic Retainer, **(Figures 2A & 9)**. Install the

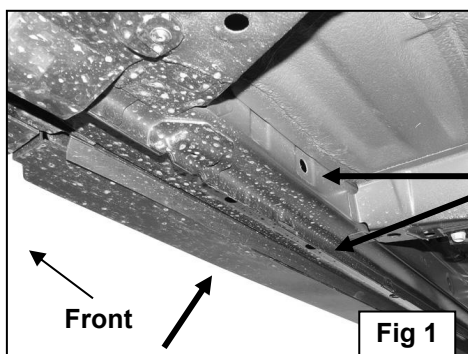
Bolt Plate and Retainer in the back of the frame channel as previously described in **Steps 4 & 6, (Figure 16B)**.

15. Select (1) Center Support Bracket, **(Figure 16A)**. Attach the long end of the Support Bracket to the forward Bolt Plate in the frame channel with (1) 10mm Flat Washer, (1) 10mm Lock Washer and (1) 10mm Hex Nut, **(Figures 16B & 18)**. Select the passenger side Center Bracket, **(Figure 17)**. Attach the Bracket to the Bolt Plate in the back of the frame channel, **(Step 15)**, with (1) 10mm Flat Washer, (1) 10mm Lock Washer and (1) 10mm Hex Nut. Bolt the Center Bracket to the Support Bracket with (1) 8mm x 30mm Hex Bolt, (2) 8mm Flat Washers, (1) 8mm Lock Washer and (1) 8mm Hex Nut, **(Figure 18)**. Do not tighten hardware at this time.
16. Move to the rear mounting location in front of the passenger side rear tire opening. Locate the large oval and round holes in the inner body panel in front of the rear tire, **(Figure 19)**. Select (1) 10mm Double Bolt Plate and (1) 10mm Plastic Retainer, **(Figure 20A)**. Insert the Bolt Plate into the oval hole and up and out of the smaller round hole above it. Thread the Plastic Retainer onto the Bolt Plate over the top round hole to hold the Bolt Plate in place, **(Figure 20B)**.
17. Locate the last (2) round holes along the floor panel, **(Figure 19)**. Repeat **Steps 3—5** to install the (2) Bolt Plates and Rear Lock Plate, **(Figures 21 & 22)**. **NOTE:** Attach the Lock Plate to the front Bolt Plate only with (1) 10mm Flat Washer, (1) 10mm Lock Washer and (1) 10mm Hex Nut, **(Figure 22)**. Tighten the Hex Nut at this time.
18. Select the passenger side rear Frame Bracket, **(Figure 23)**. Attach the Frame Bracket to the Double Bolt Plate with (2) 10mm Flat Washers, (2) 10mm Lock Washers and (2) 10mm Hex Nuts, **(Figure 24)**. Do not tighten hardware at this time. Next, attach the driver side Rear Mounting Bracket to the front of the Frame Bracket with (2) 8mm Flat Washers, (2) 8mm Lock Washers and (2) 8mm Hex Nuts, **(Figure 25)**. Do not tighten hardware at this time.
19. Select the "7" Rear Support Bracket, **(Figures 6A)**. Attach the Support Bracket to the rear Bolt Plate with (1) 10mm Flat Washer, (1) 10mm Lock Washer and (1) 10mm Hex Nut, **(Figure 26)**. Do not tighten hardware. Attach the Mounting Bracket to the back of the "7" Rear Support Bracket with (1) 8mm x 30mm Hex Bolt, (2) 8mm Flat Washers, (1) 8mm Lock Washer and (1) 8mm Hex Nut, **(Figure 27)**. Do not tighten hardware at this time.
20. Select a Running Board. Slip (6)M6 T-bolts into each bottom channel **(Figure 28)**. Carefully position the Running Board onto the (3) Mounting Brackets. **IMPORTANT:** Do not slide, (front to back), the Running Board on the Brackets or damage to the finish may result. Attach the Running Board to each Mounting Brackets with (2) M6 T-bolts, (2)M6 flat washers and (2)M6 Nylon Lock Nuts **(Figures 29)**. Do not tighten at this time.
21. Level and adjust Running Board properly and tighten all hardware. **NOTE: Torque all M6 nylon lock nuts to 7 lb-ft.**
22. Repeat **Steps 2—21** for passenger/right Running Board installation.
23. Do periodic inspections to the installation to make sure that all hardware is secure and tight

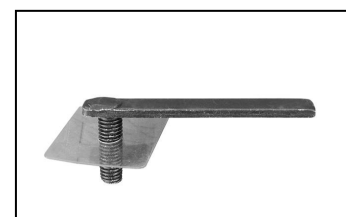
To protect your investment, wax this product after installing. Regular waxing is recommended to add a protective layer over the finish. Do not use any type of polish or wax that may contain abrasives that could damage the finish.

For Polished Finishes: Aluminum polish may be used to polish small scratches and scuffs on the finish. Mild soap may be used also to clean the Running Board.

For Black Finishes: Mild soap may be used to clean the Running Board.

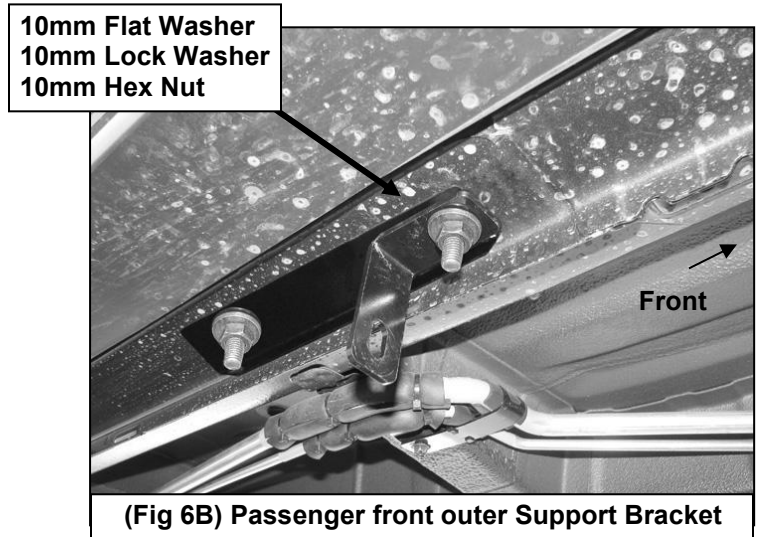
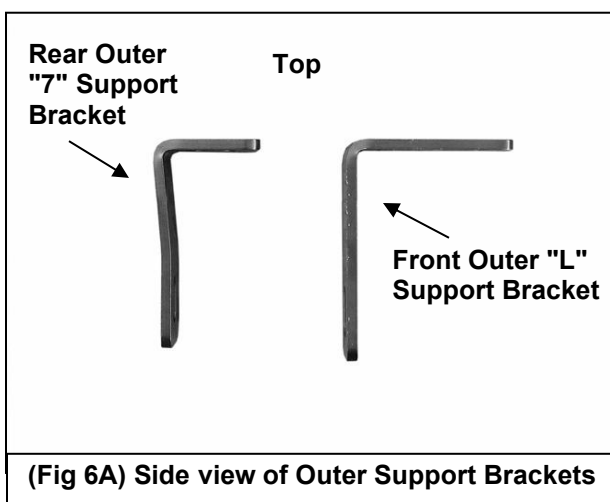
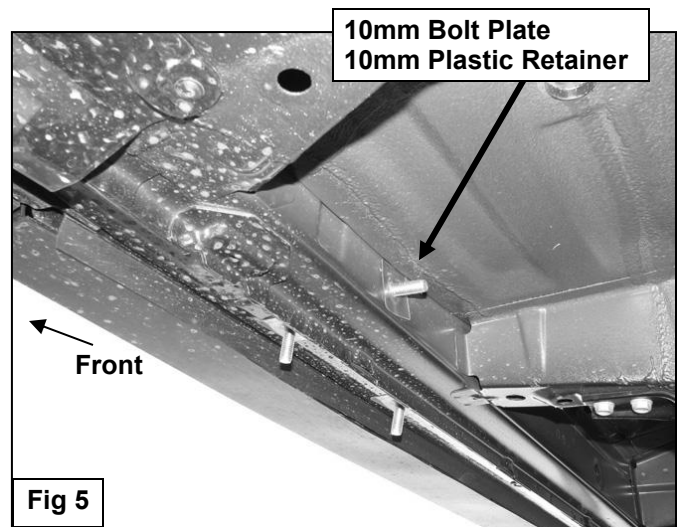
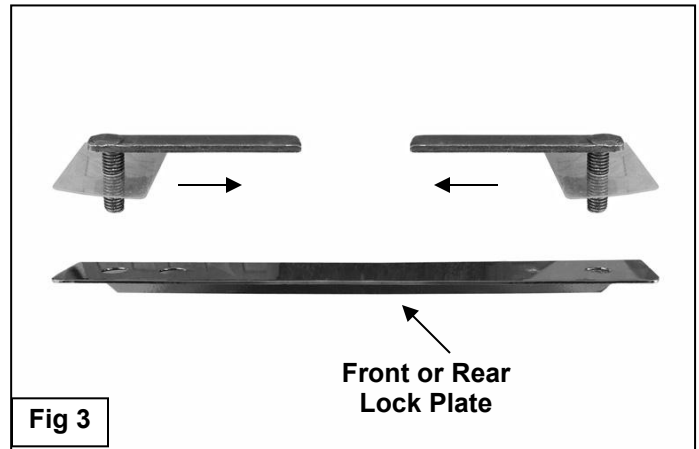
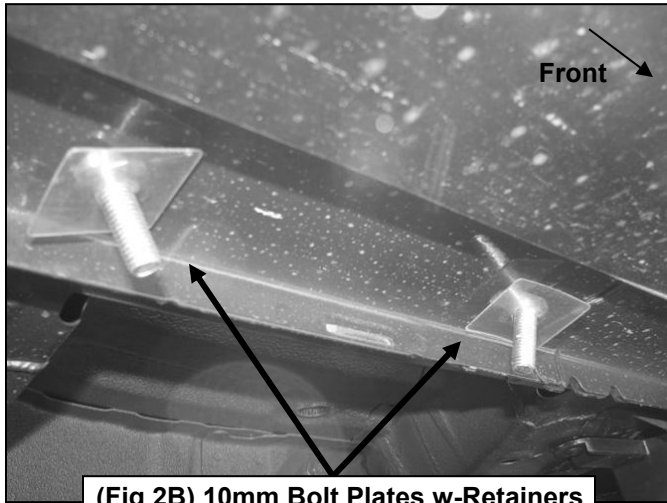


Passenger side front mounting location pictured from below. Remove (3) rubber plugs from factory holes (arrows)



(Fig 2A) 10mm Bolt Plate w-Retainer

Passenger Side Installation Pictured



Passenger Side Installation Pictured

10mm Flat Washer
 10mm Lock Washer
 10mm Hex Nut

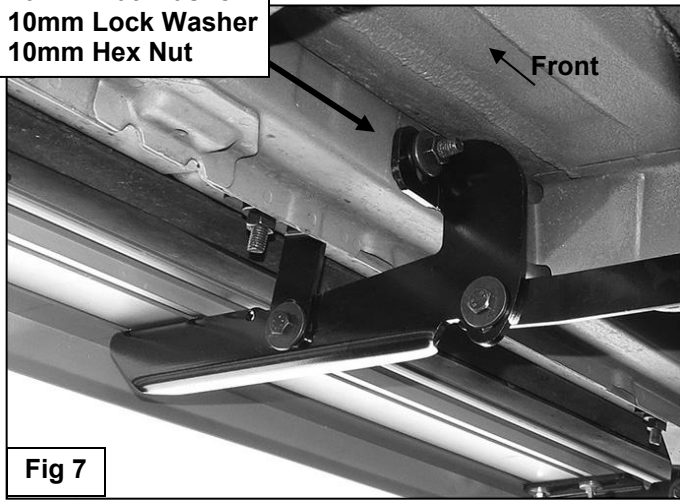


Fig 7

10mm Flat Washer
 10mm Lock Washer
 10mm Hex Nut

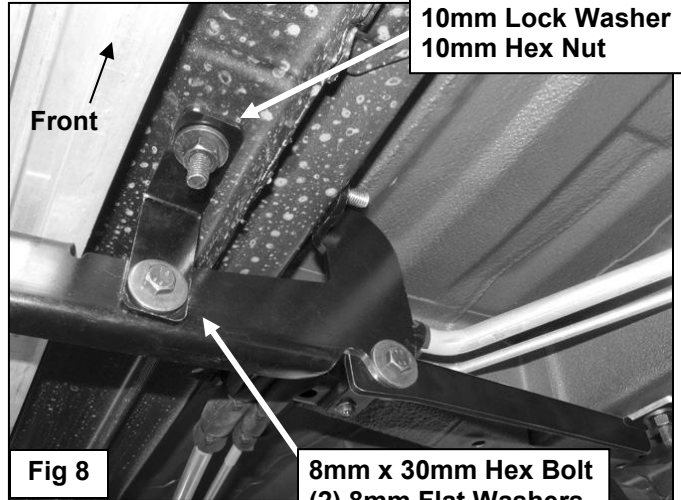
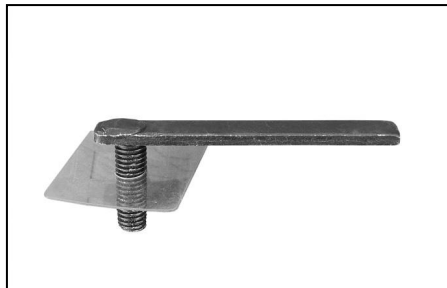
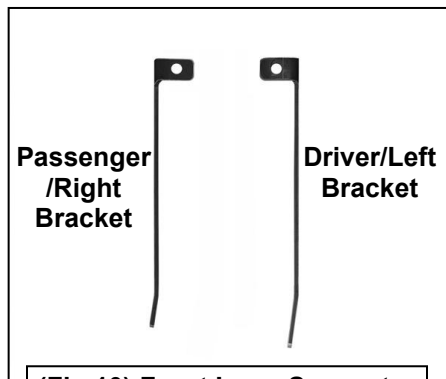


Fig 8

8mm x 30mm Hex Bolt
 (2) 8mm Flat Washers
 8mm Lock Washer
 8mm Hex Nut



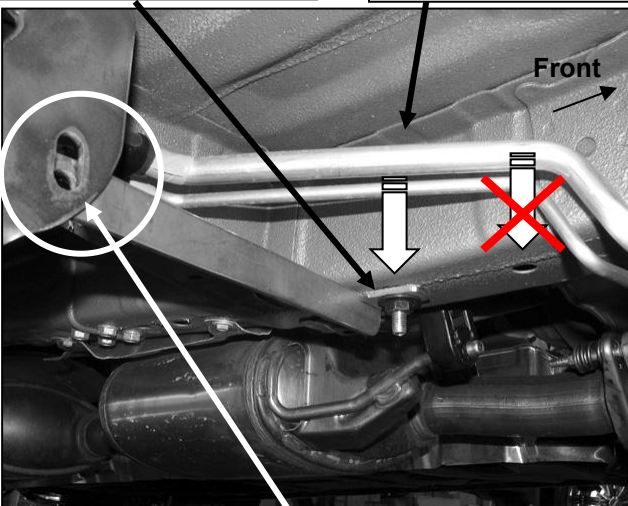
(Fig 9) 10mm Bolt Plate w-Retainer



(Fig 10) Front Inner Support Brackets pictured from above

10mm Bolt Plate
 10mm Plastic Retainer
 10mm Flat Washer
 10mm Lock Washer
 10mm Hex Nut

Passenger/right inner location pictured. Install Bolt Plate in 2nd hole behind tie down loop



(Fig 11) Passenger/Right inner location pictured. Bolt Support Bracket to back of Front Bracket

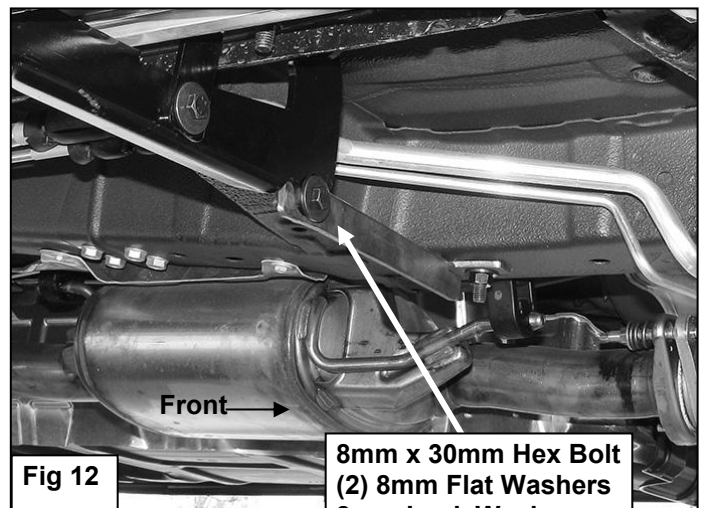
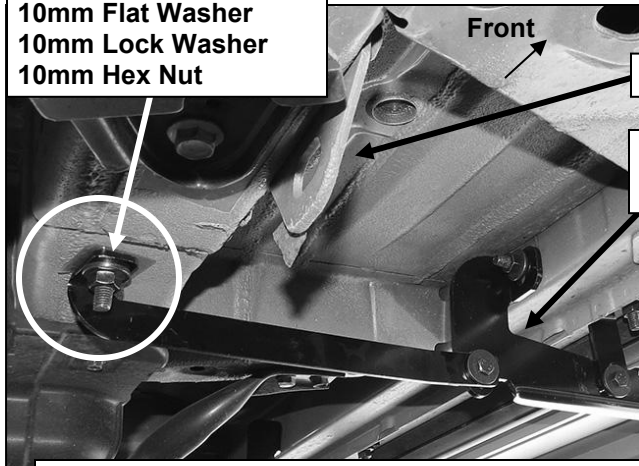


Fig 12

8mm x 30mm Hex Bolt
 (2) 8mm Flat Washers
 8mm Lock Washer
 8mm Hex Nut

Passenger Side Installation Pictured

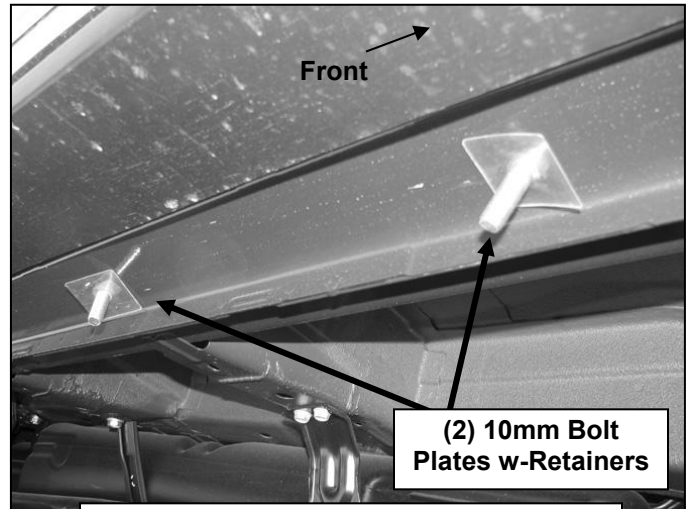
- 10mm Bolt Plate
- 10mm Plastic Retainer
- 10mm Flat Washer
- 10mm Lock Washer
- 10mm Hex Nut



Tie down loop

Bolt driver side Support Bracket to front side of front Bracket

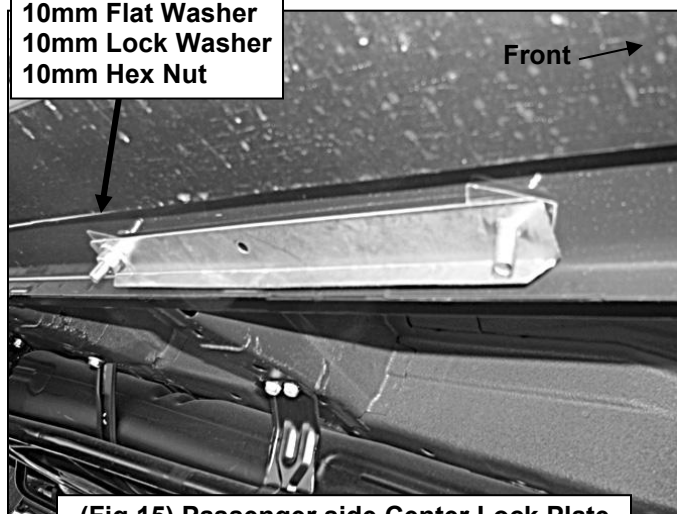
(Fig 13) Driver/Left front inner location pictured. Use hole closest to tie down loop



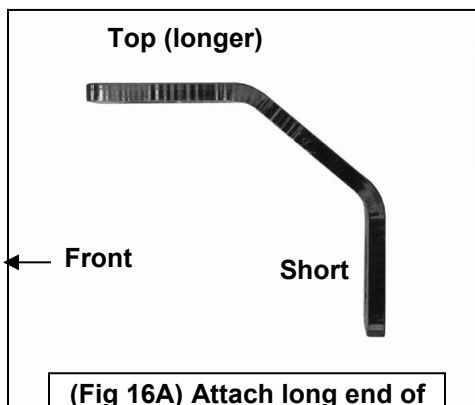
(2) 10mm Bolt Plates w-Retainers

(Fig 14) Passenger side center location

- 10mm Flat Washer
- 10mm Lock Washer
- 10mm Hex Nut



(Fig 15) Passenger side Center Lock Plate

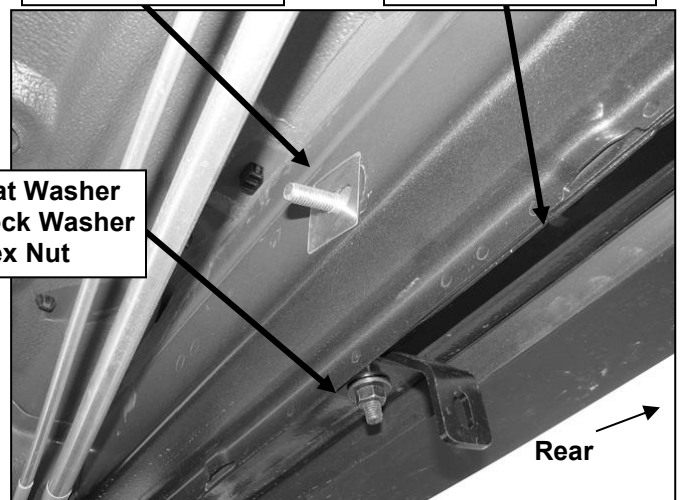


(Fig 16A) Attach long end of Support Bracket to Bolt Plate

10mm Bolt Plate (see Fig 2A & 9)

Center Lock Plate

- 10mm Flat Washer
- 10mm Lock Washer
- 10mm Hex Nut

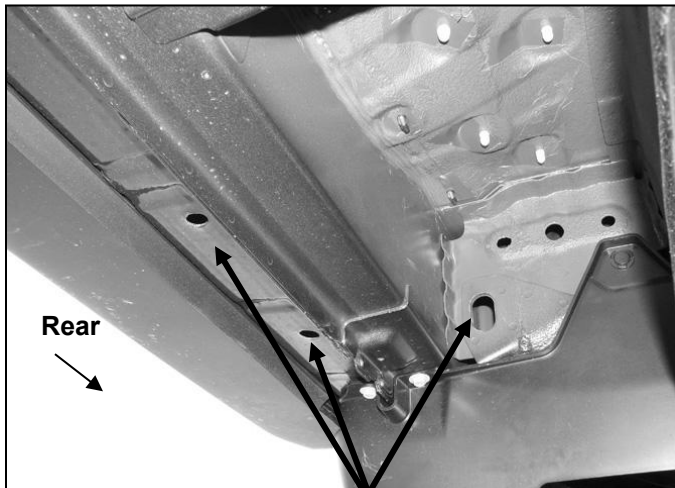
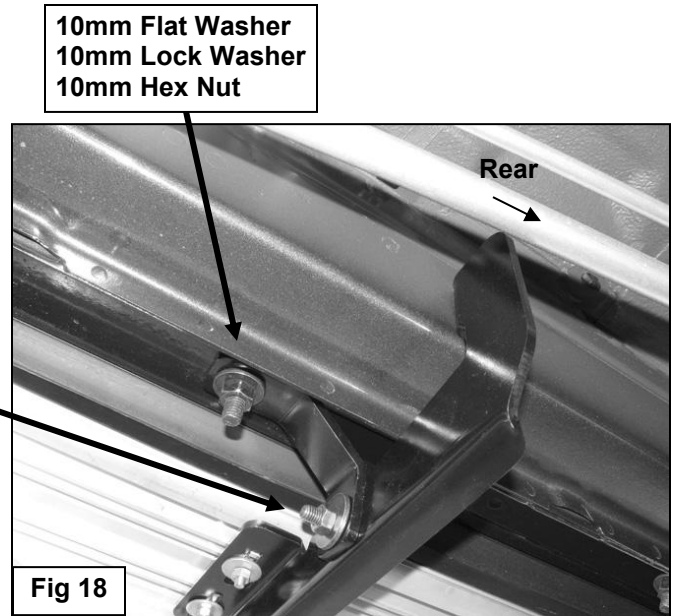


(Fig 16B) Passenger side center Support Bracket

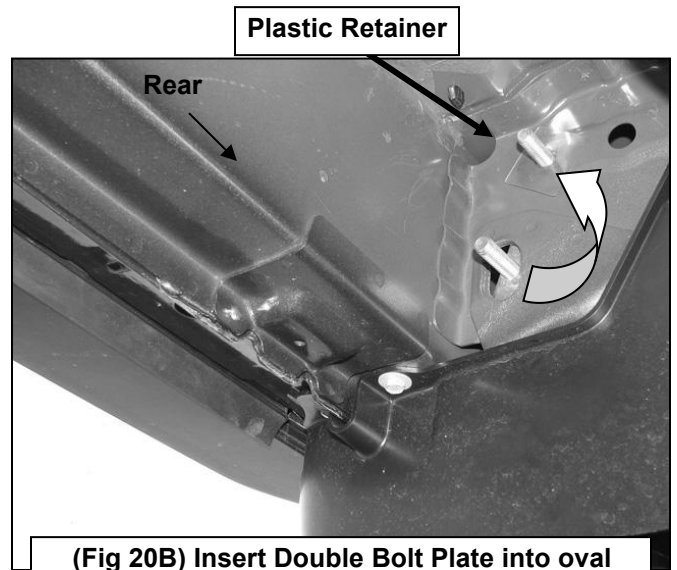
Passenger Side Installation Pictured



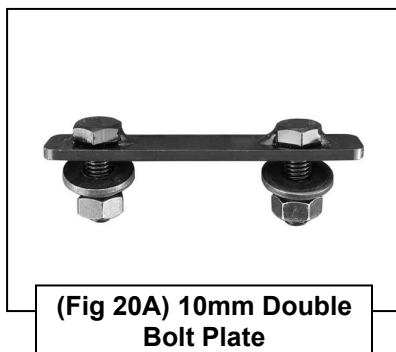
8mm x 30mm Hex Bolt
(2) 8mm Flat Washers
8mm Lock Washer
8mm Hex Nut



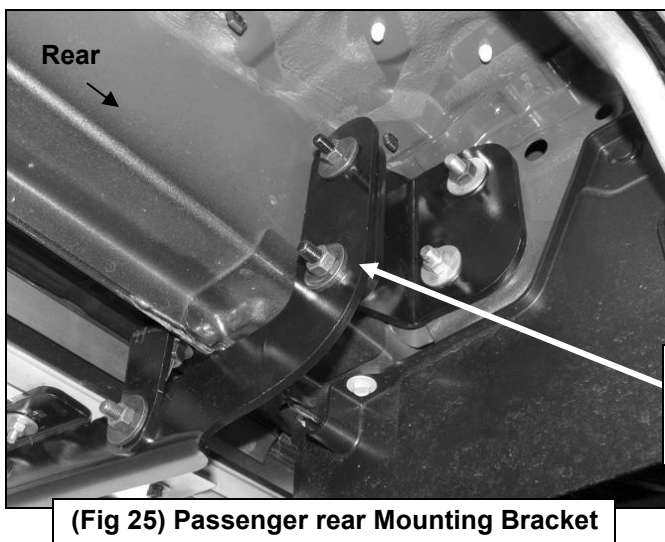
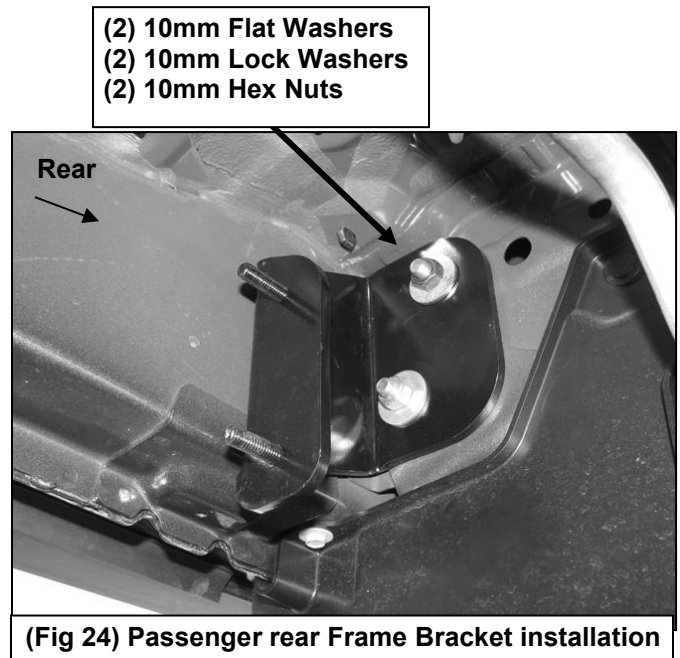
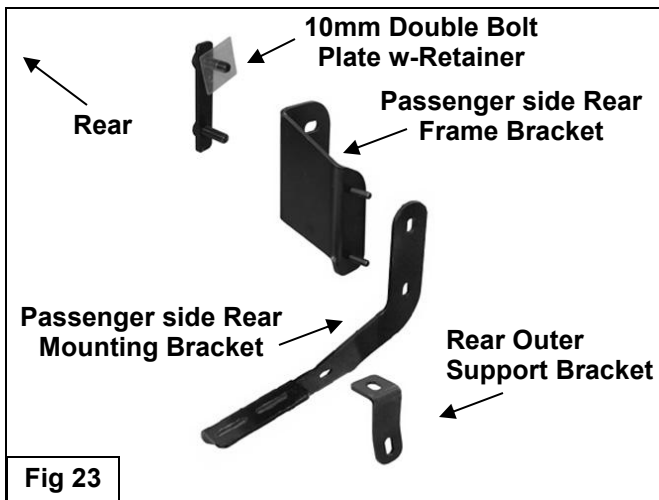
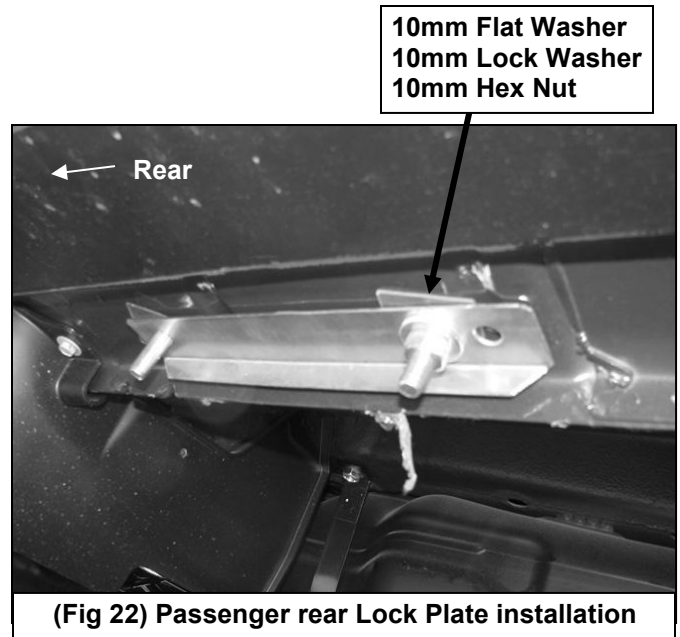
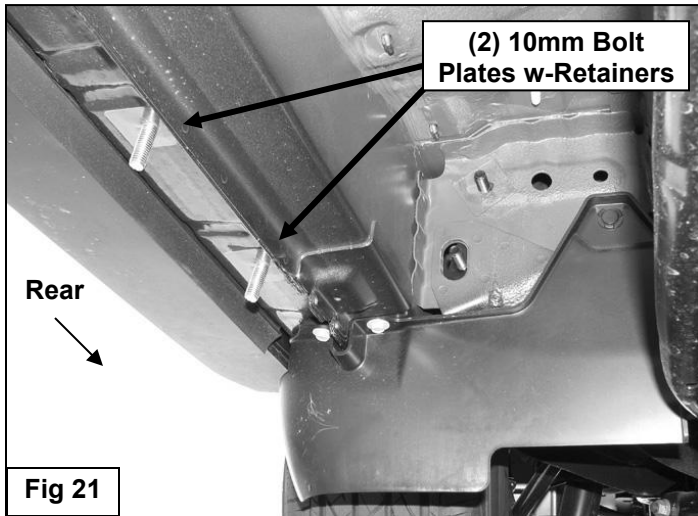
(Fig 19) Passenger side rear mounting location pictured. Remove factory rubber plugs



(Fig 20B) Insert Double Bolt Plate into oval hole first, then up and out top hole. Passenger side rear mounting location pictured



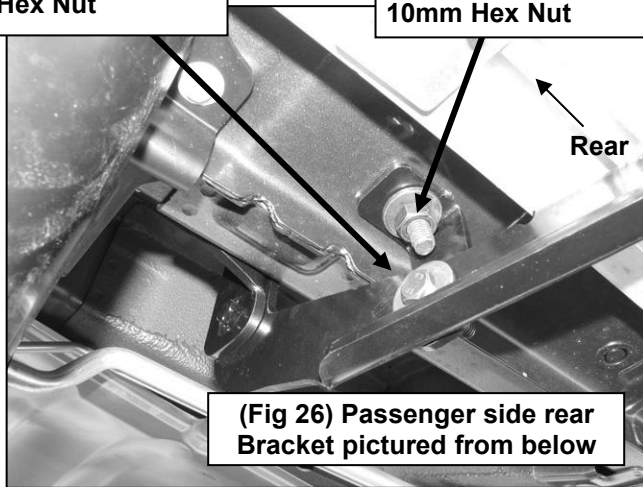
Passenger Side Installation Pictured



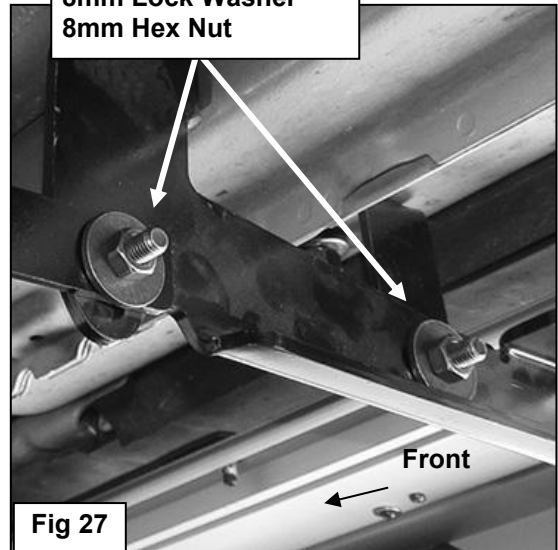
Passenger Side Installation Pictured

8mm x 30mm Hex Bolt
(2) 8mm Flat Washers
8mm Lock Washer
8mm Hex Nut

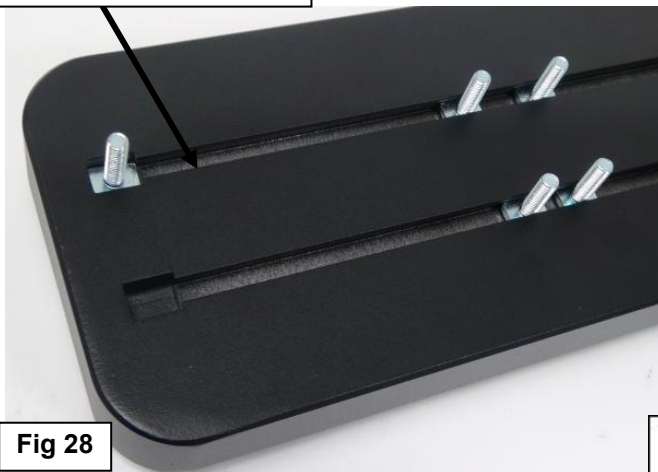
10mm Flat Washer
10mm Lock Washer
10mm Hex Nut



8mm x 30mm Hex Bolt
(2) 8mm Flat Washers
8mm Lock Washer
8mm Hex Nut



Slip 6mm T-bolts into
the bottom channel



(2)M6T-bolts
(2)M6 Flat Washers
(2)M6 Nylon Lock Nuts

