



(6",5",4")RUNNING BOARD
For 1999.05-2004 Nissan Pathfinder

Installation Instructions for IB14EAB8 by APS Auto Parts Specialist Inc.

Application: For 1999.05-2004 Nissan Pathfinder

Estimated Time: 1 to 2 hours



Disclaimer: Instructions intended for persons aged 18+ please do not attempt without adult supervision. Instructions are not intended to replace professional installation. Damage from improper installation, misuse or modification to the product voids the manufacturer's warranty.

PARTS LIST:

Item	QTY	Description	Item	QTY	Description
#1	2	Running Board(use for left or right)	#7	12	M8 Lock Washers
#2	1	Driver Front Mounting Bracket(DFM)	#8	12	8mm x 16mm x 2mm Flat Washers
#3	1	Passenger Front Mounting Bracket(PFM)	#9	8	M6X1.0 - 20mm T-Bolts
#4	1	Driver Rear Mounting Bracket(DRM)	#10	8	6mm x 22mm OD x 2mm Flat Washers
#5	1	Passenger Rear Mounting Bracket(PRM)	#11	8	M6 Nylon Lock Nuts
#6	12	M8X1.25-25mm Hex Bolts			



PROCEDURE:

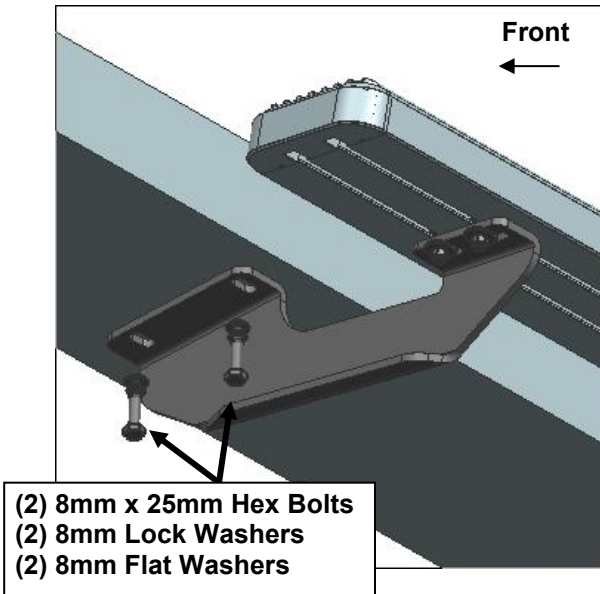
1. REMOVE CONTENTS FROM BOX. VERIFY ALL PARTS ARE PRESENT. READ INSTRUCTIONS CAREFULLY BEFORE STARTING INSTALLATION.
2. Starting on the driver side front of the vehicle, locate the (2) factory threaded holes in the bottom of the outer frame channel, **(Figure 1)**. **NOTE:** The threaded holes may be filled with plastic plugs or covered in insulation. Remove plugs or insulation before proceeding. Repeat this step to locate the rear mounting location **(Figure 2)**.
3. Position the driver side Front Mounting Bracket up to vehicle. Hang the Bracket from the two threaded holes using the provided (2) 8mm x 25mm Hex Bolts, (2) 8mm Lock Washers and (2) 8mm Flat Washers, **(Figure 1)**. Snug but do not tighten hardware at this time.
4. Repeat **Steps 2 & 3** to install the Rear Mounting Bracket. **(Figures 2)**.
5. Select a Running Board. Slip (4)M6 T-bolts into each bottom channel**(Figure 3)**. Carefully position the Running Board onto the (2) Mounting Brackets. **IMPORTANT:** Do not slide, (front to back), the Running Board on the Brackets or damage to the finish may result. Attach the Running Board to each Mounting Brackets with(2) M6 T-bolts,(2)M6 flat washers and (2)M6 nylon lock nuts **(Figures 4)**. Do not tighten at this time.
6. Align Running Board. properly and tighten all hardware.
7. Repeat **Steps 2—6** for the Passenger Running Board installation.
8. Do periodic inspections to the installation to make sure that all hardware is secure and tight.

To protect your investment, wax this product after installing. Regular waxing is recommended to add a protective layer over the finish. Do not use any type of polish or wax that may contain abrasives that could damage the finish.

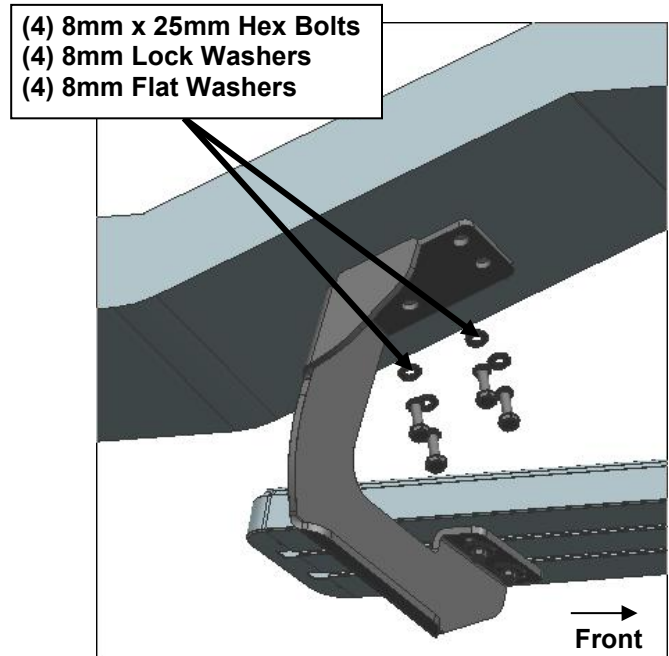
For Polished Finishes: Aluminum polish may be used to polish small scratches and scuffs on the finish. Mild soap may be used also to clean the Running Board.

For Black Finishes: Mild soap may be used to clean the Running Board.

Driver Side Installation Pictured



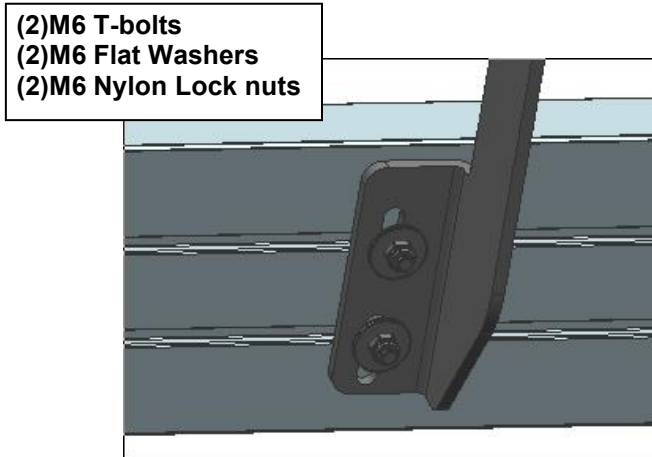
(Fig 1) Driver Side Front Mounting Bracket Pictured (example only)



(Fig 2) Driver Side Rear Mounting Bracket Pictured (example only)



(Fig 3) Slip 6mm T-bolts into the bottom channel



(Fig 4) Bracket Installation