

# Installation Instructions for IB10EAA1

by APS Auto Parts Specialist Inc.

Application: For 2018 WRANGLER JL 4DR

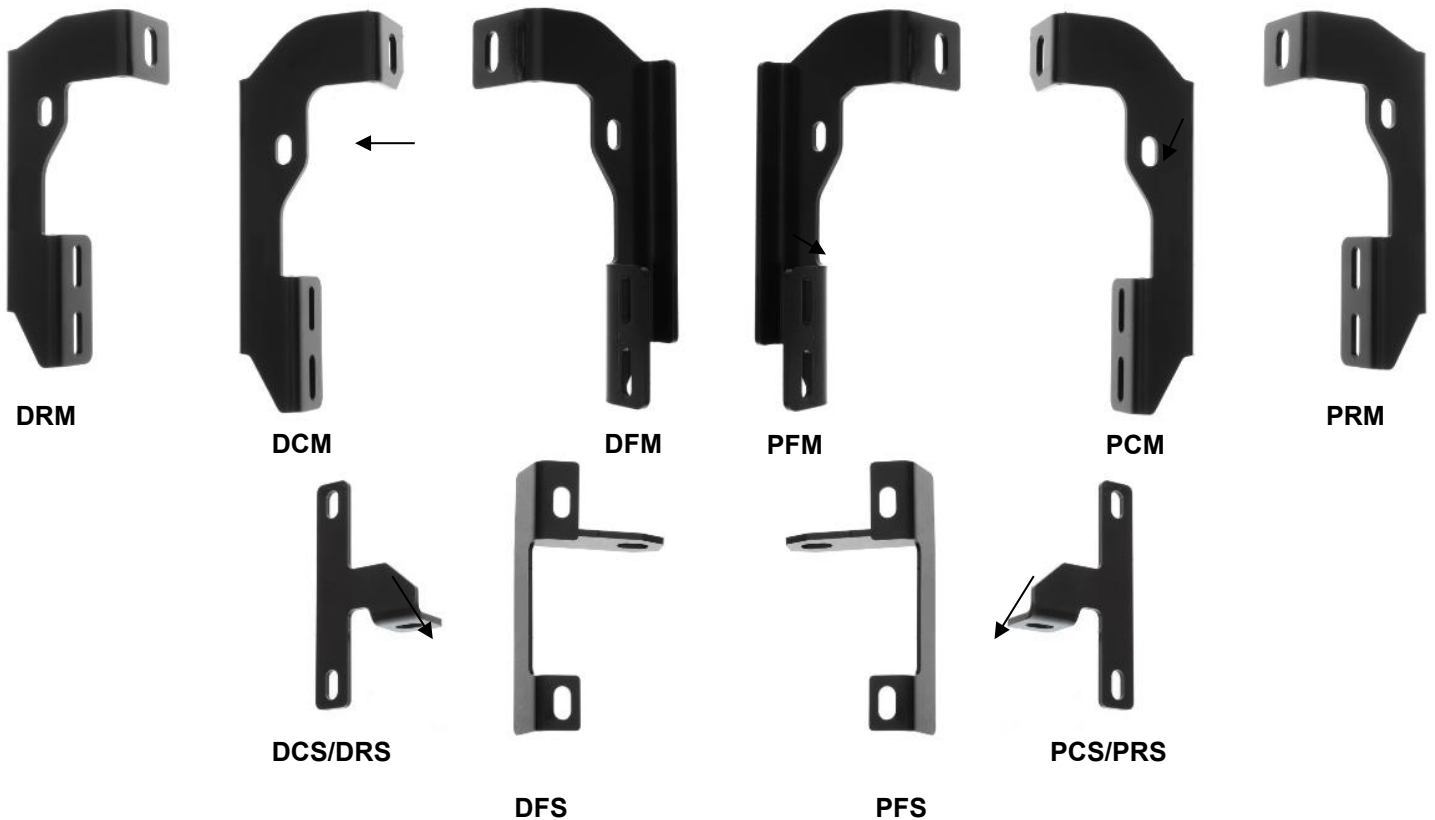
Estimated Time: 1 to 2 hours



Disclaimer: Instructions intended for persons aged 18+ please do not attempt without adult supervision. Instructions are not intended to replace professional installation. Damage from improper installation, misuse or modification to the product voids the manufacturer's warranty.

**PARTS LIST:**

Item	QTY	Description	Item	QTY	Description
#01	2	Running Board(use for left or right)	#12	6	M10-1.5mm x 30mm Hex Bolts
#02	1	Driver Front Mounting Bracket(DFM)	#13	12	M10 Flat Washers
#03	1	Passenger Front Mounting Bracket(PFM)	#14	6	M10-1.5mm Nylon Lock Nuts
#04	1	Driver Center Mounting Bracket(DCM)	#15	6	M8-1.25mm x 35mm Hex Bolts
#05	1	Passenger Center Mounting Bracket(PCM)	#16	6	M8 Flat Washers
#06	1	Driver Rear Mounting Bracket(DRM)	#17	6	M8 Lock Washers
#07	1	Passenger Rear Bracket(PRM)	#18	12	M6-1.0mm x 25mm Hex Bolts
#08	1	Driver Front Support Bracket(DFS)	#19	12	M6-1mm x 20mm T-Bolts
#09	1	Passenger Front Support Bracket(PFS)	#20	36	M6 Flat Washers
#10	2	Driver Center Support Brackets(DCS/DRS)	#21	24	M6 Nylon Lock Nuts
#11	2	Passenger Center Support Brackets(PCS/PRS)			



**PROCEDURE:**

1. REMOVE CONTENTS FROM BOX. VERIFY ALL PARTS ARE PRESENT. READ INSTRUCTIONS CAREFULLY BEFORE STARTING INSTALLATION. FACTORY INSTALLED OR AFTERMARKET "ROCK RAILS," SIDE STEPS OR RUNNING BOARDS MUST BE REMOVED.
2. Start installation toward the front of the passenger side of the vehicle and find the front threaded insert located in between the first pair of holes along the pinch weld, **(Figure 1)**.
3. Select the Passenger/right side Front Mounting Bracket, **(Figure 2)**. **IMPORTANT:** Use the illustration above and **Figure 3** to properly identify the Mounting Bracket. Attach the Bracket to the threaded insert

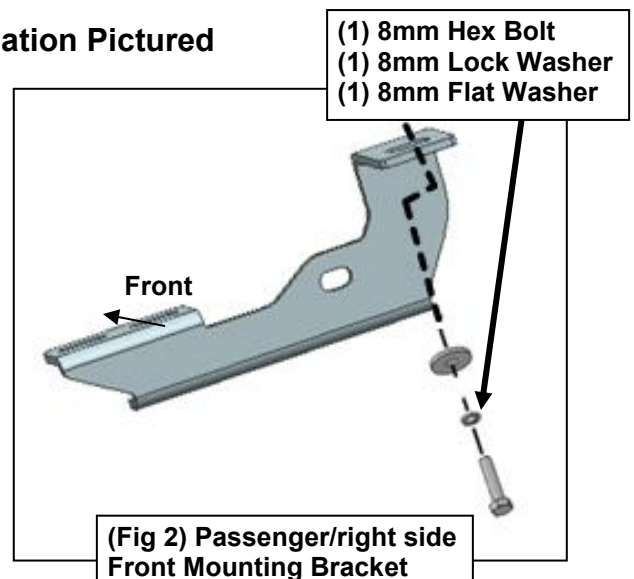
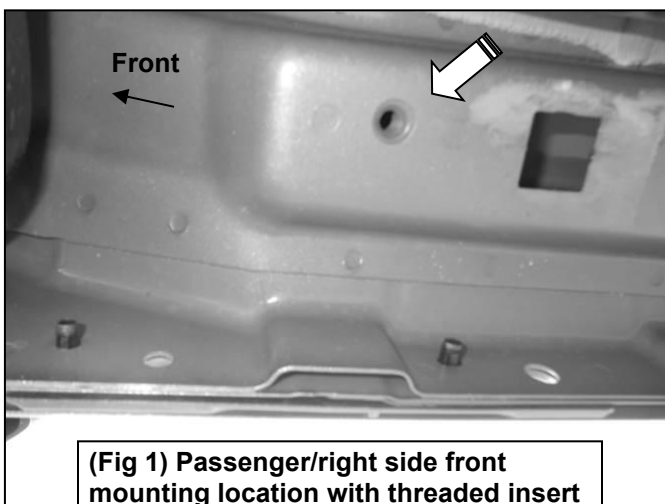
- using (1) 8mm Hex Bolt, (1) 8mm Lock Washer and (1) 8mm Flat Washer, **(Figure 3)**. Do not tighten hardware at this time.
- Next, select the Passenger/right side Front Support Bracket, **(Figure 4)**. **IMPORTANT:** Use the illustration above to help identify the correct Support Bracket. Align the Bracket to the **back** of the pinch weld and to the **rear** side of the Front Mounting Bracket. Attach the Support Bracket to the pinch weld using (2) 6mm Hex Bolts, (4) 6mm Flat Washers and (2) 6mm Nylon Lock Nuts, **(Figures 4—6)**. **NOTE:** Insert bolts from the outside of the pinch weld and through the Bracket. Use (1) 10mm Hex Bolt, (2) 10mm Flat Washers and (1) 10mm Nylon Lock Nut to secure the Support Bracket to the Mounting Bracket, **(Figures 5 & 6)**. Do not tighten hardware at this time.
  - Move along the body panel to the center mounting location and locate the threaded insert and pair of holes on the pinch weld, **(Figure 7)**. Repeat **Steps 3 & 4** to install the Center Brackets, **(Figures 9 & 10)**. **NOTE:** The Center and Rear Mounting Brackets look similar but each one is unique. Notice the bottom corner trim on the Center Mounting Bracket in the illustration above and **Figure 8**.
  - Move to the last, rear, mounting location and locate the threaded insert and pair of holes on the pinch weld, **(Figure 11)**. Repeat **Steps 3 & 4** to install the Rear Brackets, **(Figures 12 & 13)**. **NOTE:** The Center and Rear Mounting Brackets look similar but each one is unique. Notice the rounded corners on the Rear Mounting Bracket in the illustration above and **Figure 8**.
  - Select a Running Board. Slip (6)M6 T-bolts into each bottom channel **(Figure 14a)**. Carefully position the Running Board onto the (3) Mounting Brackets. **IMPORTANT:** Do not slide, (front to back), the Running Board on the Brackets or damage to the finish may result. Attach the Running Board to each Mounting Brackets with (2) M6 T-bolts, (2)M6 flat washers and (2)M6 nylon lock nuts **(Figures 14b)**. Do not tighten at this time.
  - Level and adjust Running Board properly and tighten all hardware. **NOTE: Torque all M6 nylon lock nuts to 7 lb-ft.**
  - Repeat **Steps1 –8** for passenger side Running Board installation.
  - Do periodic inspections to the installation to make sure that all hardware is secure and tight

**To protect your investment**, wax this product after installing. Regular waxing is recommended to add a protective layer over the finish. Do not use any type of polish or wax that may contain abrasives that could damage the finish.

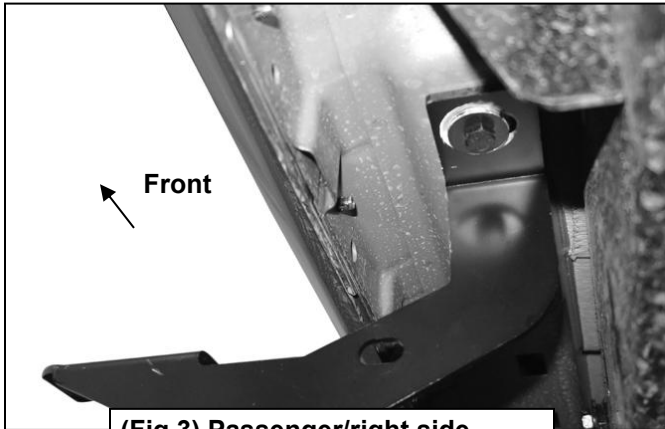
**For Polished Finishes:** Aluminum polish may be used to polish small scratches and scuffs on the finish. Mild soap may be used also to clean the Running Board.

**For Black Finishes:** Mild soap may be used to clean the Running Board.

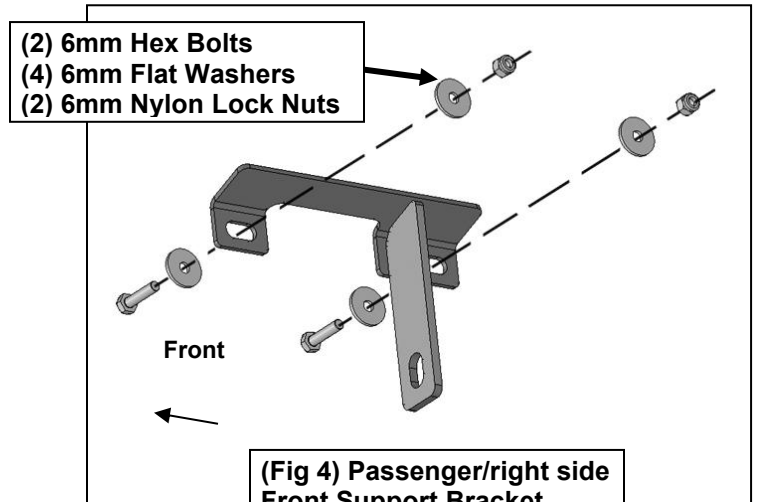
### Passenger Side Installation Pictured



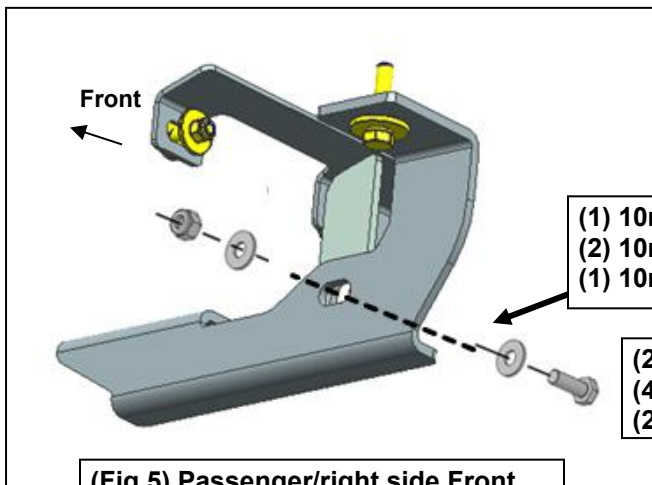
### Passenger Side Installation Pictured



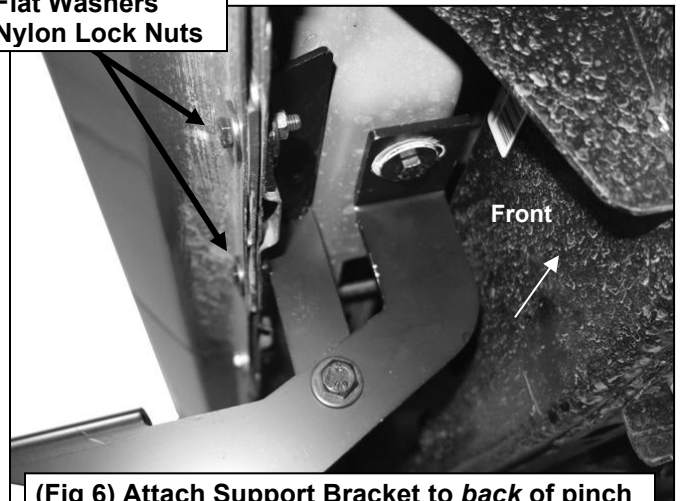
(Fig 3) Passenger/right side Front Mounting Bracket installed



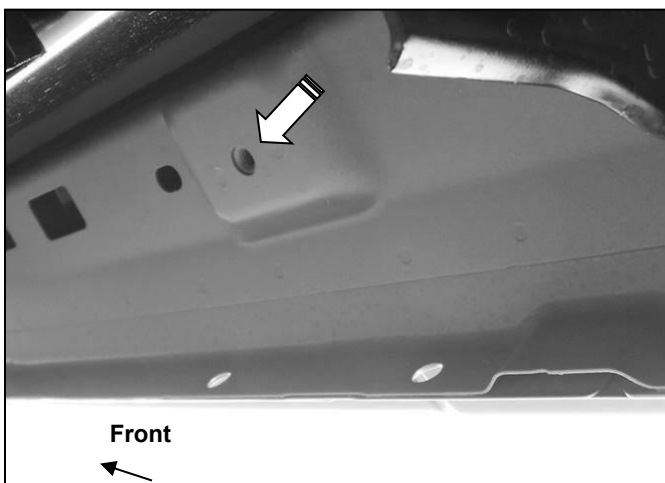
(Fig 4) Passenger/right side Front Support Bracket



(Fig 5) Passenger/right side Front Bracket attached to Support Bracket



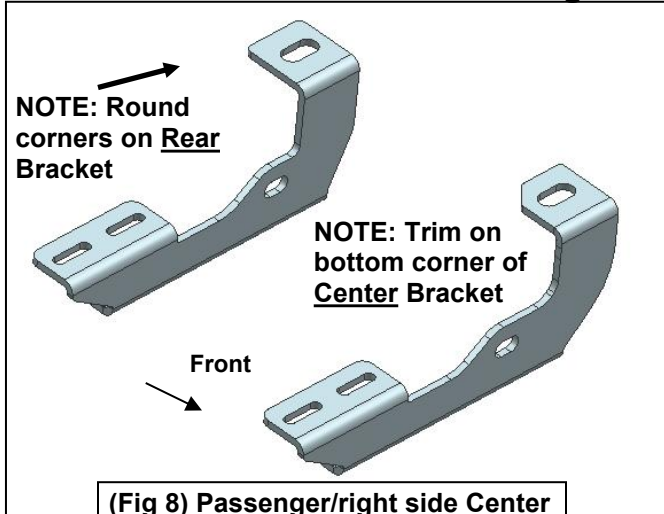
(Fig 6) Attach Support Bracket to back of pinch weld and to rear side of Mounting Bracket



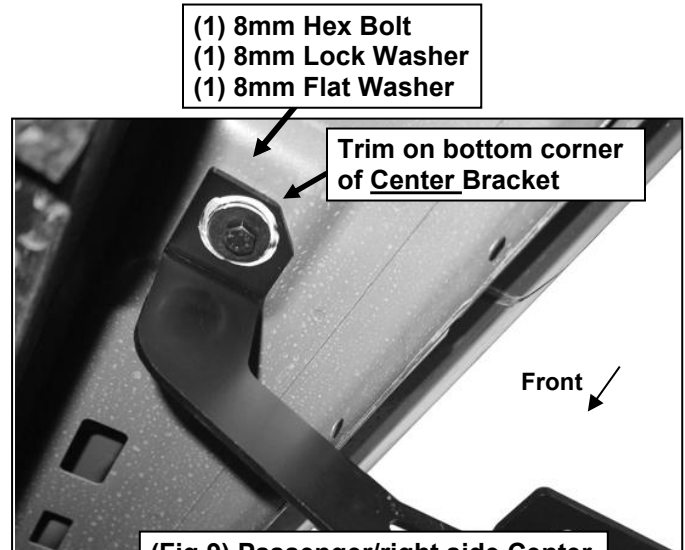
(Fig 7) Passenger side center mounting location



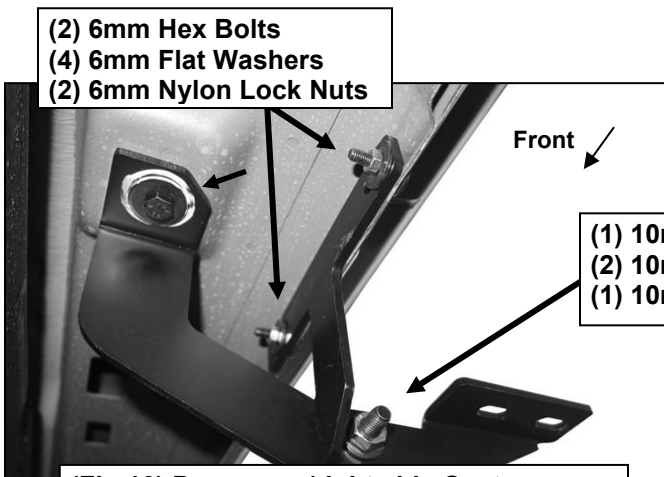
### Passenger Side Installation Pictured



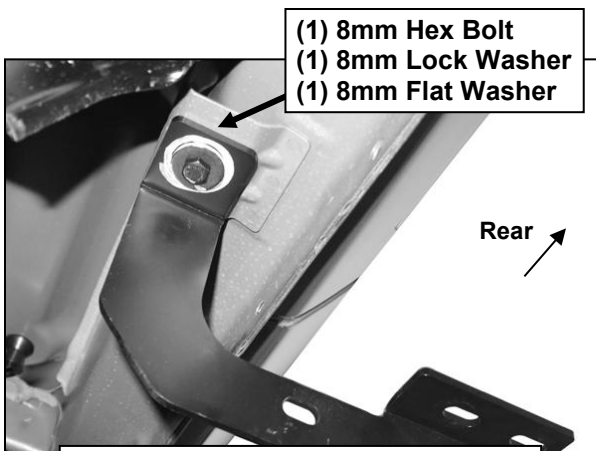
(Fig 8) Passenger/right side Center & Rear Mounting Brackets



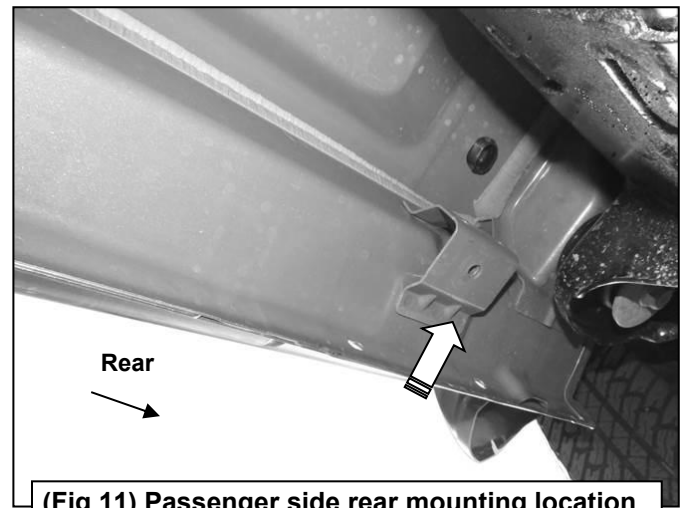
(Fig 9) Passenger/right side Center Mounting Bracket installed



(Fig 10) Passenger/right side Center Bracket attached to Center Support



(Fig 12) Passenger/right side Rear Mounting Bracket installed



(Fig 11) Passenger side rear mounting location

### Passenger Side Installation Pictured

