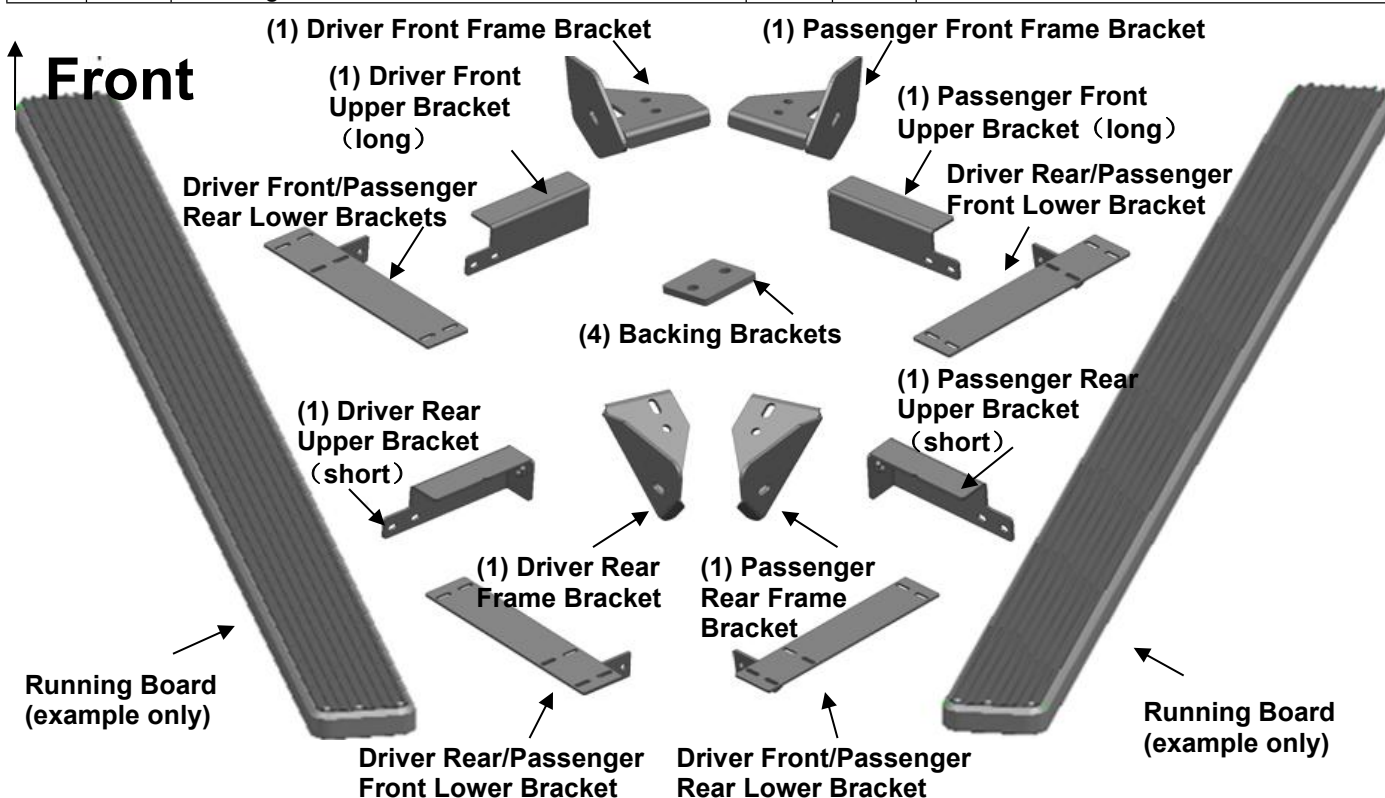


**PARTS LIST:**

Item	QTY	Description	Item	QTY	Description
#1	2	Running Board(use for left or right)	#13	8	12-1.75mm x 30mm Hex Head Bolts
#2	1	Driver Front Frame Bracket	#14	4	12-1.75mm x 35mm Hex Head Bolts
#3	1	Passenger Front Frame Bracket	#15	12	12mm Lock Washers
#4	1	Driver Front Upper Bracket ( <b>long</b> )	#16	12	12mm x 37mm x 3mm Flat Washers
#5	1	Passenger Front Upper Bracket ( <b>long</b> )	#17	8	10-1.50mm x 35mm Hex Head Bolts
#6	1	Driver Rear Frame Bracket	#18	8	10mm Lock Washers
#7	1	Passenger Rear Frame Bracket	#19	16	10mm x 30mm x 2.5mm Flat Washers
#8	1	Driver Rear Upper Bracket ( <b>short</b> )	#20	8	10mm Hex Nuts
#9	1	Passenger Rear Upper Bracket ( <b>short</b> )	#21	24	6-1.0mm x 20mm T-Bolts
#10	2	Driver Front/Passenger Rear Lower Brackets	#22	24	6mm x 22mm OD x 2mm Flat Washers
#11	2	Driver Rear/Passenger Front Lower Brackets	#23	24	6mm Lock Nuts
#12	4	Backing Brackets			



**PROCEDURE:**

**REMOVE CONTENTS FROM BOX. VERIFY ALL PARTS ARE PRESENT. READ INSTALLATION INSTRUCTIONS CAREFULLY BEFORE STARTING INSTALLATION. DRILLING IS REQUIRED.**

1. Start installation on the front, driver side of the vehicle. Select (1) Driver front Frame Mounting Bracket. Use the included (2) 12mm x 30mm Hex Bolt, (2) 12mm Lock Washer and (2) 12mm Flat Washer to attach the Bracket to the front body mount. Do not tighten hardware at this time (**Figure 1**).
2. Select a driver front upper bracket, attach to the driver front frame bracket with (1)12mmx35 Hex bolts,(1)12mm flat washers,(1)12mm lock washers (**Figure 1**). Do not tighten hardware at this time **NOTE: Front upper brackets and rear upper brackets are similar, but not universal(Figure 2B)**.
3. Select the driver front lower bracket and bolt to the upper bracket with the include(2)10x35mm Hex bolts,(4)10mm flat washers,(2)10mm lock washers and (2)10mm Hex Nuts.(**Figure 1**)
4. Move toward the rear of the vehicle. Repeat **Step1-3** to install the driver rear brackets. Do not tighten hardware at this time (**Figure 2**).

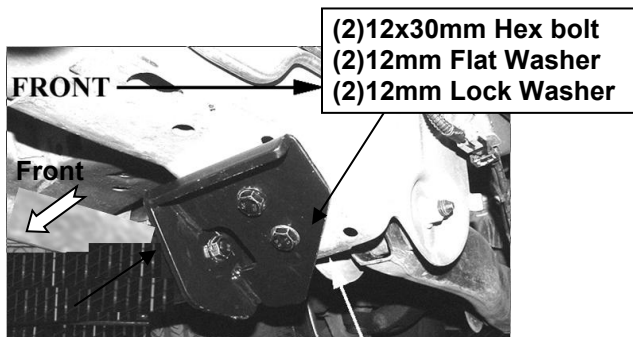
5. Select a Running Board. Slip(12) 6mm T-bolts into each bottom channel(**Figure 3**). Carefully position the Running Board onto the (2) Mounting Brackets. **IMPORTANT:** Do not slide, (front to back), the Running Board on the Brackets or damage to the finish may result. Attach the Running Board to the Mounting Brackets with(6) 6mm T-bolts,(6)6mm flat washers and (6)6mm lock nuts (**Figures 4**). Do not tighten at this time.
6. Level and adjust the running board, and tighten all hardware. Check all mounting locations for clearance between factory steel body mount brackets and Mounting Brackets. Once satisfied with fit, fully tighten all hardware.
7. Repeat **Steps 1—6** for passenger running board installation.
8. Do periodic inspections to the installation to make sure that all hardware is secure and tight.

**To protect your investment**, wax this product after installing. Regular waxing is recommended to add a protective layer over the finish. Do not use any type of polish or wax that may contain abrasives that could damage the finish.

**For Polished Finishes:** Aluminum polish may be used to polish small scratches and scuffs on the finish. Mild soap may be used also to clean the Running Board.

**For Black Finishes:** Mild soap may be used to clean the Running Board.

### Driver side installation illustrated



(1)12x35mm Hex bolt  
(1)12mm Flat Washer  
(1)12mm Lock Washer

Place back-up bracket here and install using supplied hardware. DO NOT fully tighten at this time

(Fig 1a) Front Frame Bracket installation pictured

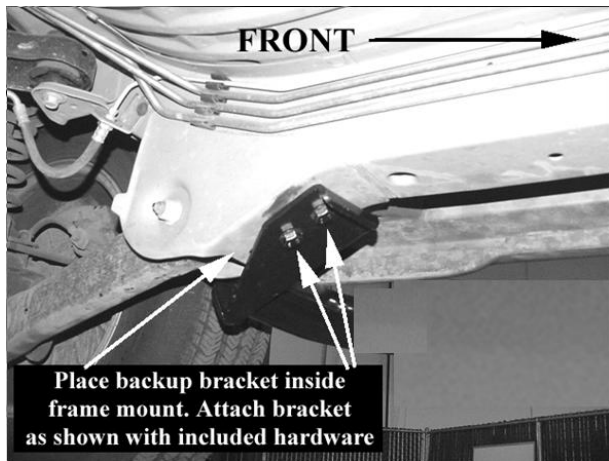
(2)12x30mm Hex bolt  
(2)12mm Flat Washer  
(2)12mm Lock Washer  
(1) Backing Bracket

(1)12x35mm Hex bolt  
(1)12mm Flat Washer  
(1)12mm Lock Washer

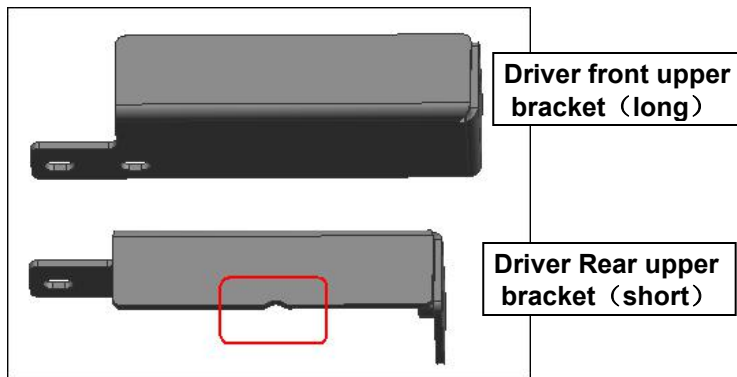
(2)10x35mm Hex bolt  
(4)10mm Flat Washer  
(2)10mm Lock Washer  
(2)10mm Hex Nuts



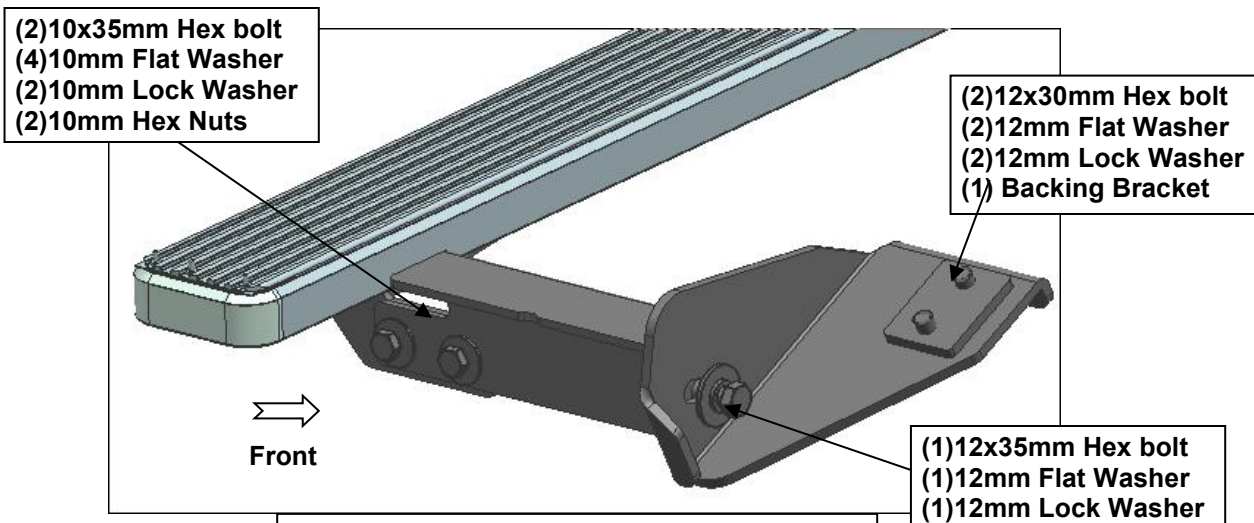
(Fig 1b) Front Bracket installation pictured



(Fig 2a)Rear Frame Bracket installation pictured



(Fig 2B)

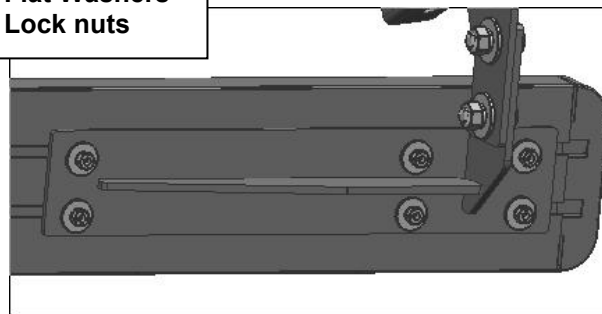


(Fig 2C)Rear Bracket installation pictured



(Fig 3) Slip 6mm T-bolts into the bottom channel

- (6)6mm T-bolts
- (6)6mm Flat Washers
- (6)6mm Lock nuts



(Fig 4) Bracket installation