

(6",5",4")RUNNING BOARD  
For 2002-2007 Jeep Liberty /\*Without Mudflaps, Factory "Rock Rails" Must Be Removed If Equipped And Cannot Be Reinstalled

# Installation Instructions for IB10EJH1

by APS Auto Parts Specialist Inc.

Application: For 2002-2007 Jeep Liberty /\*Without Mudflaps, Factory "Rock Rails" Must Be Removed If Equipped And Cannot Be Reinstalled

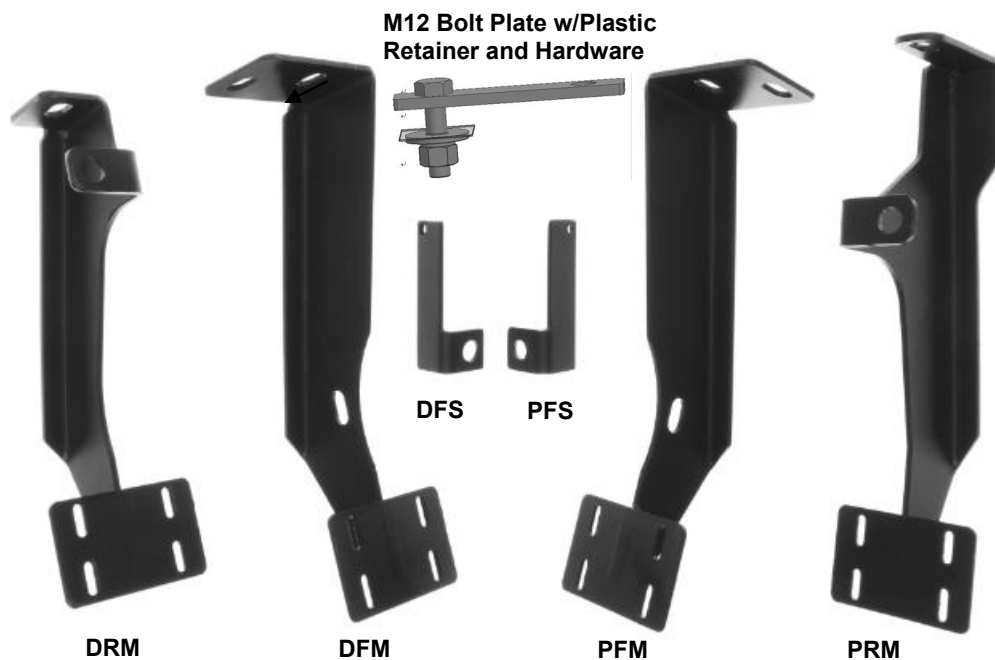
Estimated Time: 1 to 2 hours



Disclaimer: Instructions intended for persons aged 18+ please do not attempt without adult supervision. Instructions are not intended to replace professional installation. Damage from improper installation, misuse or modification to the product voids the manufacturer's warranty.

**PARTS LIST:**

Item	Qty	Description	Item	Qty	Description
#1	2	Running Board (use for left or right)	#11	8	12mm x 37mm OD x 3mm Flat Washers
#2	1	Driver Front Mounting Bracket(DFM)	#12	8	M12 Hex Nuts
#3	1	Passenger Front Mounting Bracket(PFM)	#13	2	M10 x 30mm Hex Bolts
#4	1	Driver Rear Mounting Bracket(DRM)	#14	2	M10 Lock Washers
#5	1	Passenger Rear Mounting Bracket(PRM)	#15	2	10mm x 30mm OD x 2.5mm Flat Washers
#6	1	Driver Front Support Bracket(DFS)	#16	2	M10 Hex Nuts
#7	1	Passenger Front Support Bracket(PFS)	#17	16	6mm T-Bolts
#8	6	12mm Plastic Retainers	#18	16	6mm x 22mm x 2mm Flat Washers
#9	6	M12 x 1.75-45mm Bolt Plates	#19	16	6mm Nylon Lock Nuts
#10	6	M12 Lock Washers			

**PROCEDURE:**

- REMOVE CONTENTS FROM BOX. VERIFY ALL PARTS ARE PRESENT. READ INSTRUCTIONS CAREFULLY BEFORE STARTING INSTALLATION. CAUTION: WAIT FOR EXHAUST TO COMPLETELY COOL BEFORE STARTING INSTALLATION.**
- Select the passenger side front Mounting Bracket and Support Bracket. Locate the three factory holes in the outside of the frame rail towards the front of the vehicle, (one large round, one oval, and one small round hole). Insert (1) M12 x 45 Bolt Plate into and through the large round hole and out the small round hole, **(Figure 1)**. Thread (1) 12mm Plastic Retainer onto the threaded end of the Bolt Plate until it is tight against the frame rail, **(Figures 1 & 2)**. The Plastic Retainer is designed to prevent the Bolt Plate from falling back into the frame rail and to aid in mounting the Bracket. Repeat this Step to install the 2nd Bolt Plate into the oval hole.
- Place the passenger side Front Mounting Bracket over the (2) Bolt Plates. Secure the front Mounting Bracket to the Bolt Plates using the included (2) M12 Flat Washers, (2) M12 Lock Washers and (2) M12 Hex Nuts, **(Figure 3)**. Snug but do not tighten at this time.
- Carefully pull the plastic body panel back and remove the factory bolt in the pinch weld located right above the front Mounting Bracket. Insert the Support Bracket between the plastic panel and the pinch weld. Bolt the flat end of the front Support Bracket to the outside of the pinch weld using the factory bolt, **(Figures 4 & 5)**. Leave hardware loose at this time.

For 2002-2007 Jeep Liberty /\*Without Mudflaps, Factory "Rock Rails" Must Be Removed If Equipped And Cannot Be Reinstalled

5. Bolt the bent end of passenger side front Support Bracket to the front of the front Mounting Bracket using the included (1) M10 x 30mm Hex Bolt, (1) M10 Lock Washer, (2) M10 Flat Washer and (1) M10 Hex Nut, **(Figure 6)**. Do not tighten at this time.
6. Move toward the rear of the vehicle. Verify that exhaust is completely cool before continuing.
7. Insert (1) M12 Bolt Plate through the factory oval hole in the bottom of the frame rail and out through the hole in the inner wall of the frame channel, **(Figure 7)**. Thread (1) 12mm Plastic Retainer onto the threaded end of the Bolt Plate until it is tight against the frame rail as described in **Step 2**. Select the passenger side rear Mounting Bracket. Hang the Bracket from the Bolt Plate with the included (1) M12 Lock Washer, (1) M12 Flat Washer and (1) M12 Hex Nut. Rotate the Bracket up and over the factory 12mm stud located in the floor panel towards the center of the vehicle. Attach the Bracket to the stud using the included (1) M12 Flat Washer and (1) M12 Hex Nut, **(Figure 7)**. Do not tighten hardware.
8. Carefully unwrap and select the Running Board. Insert (8) 6mm T-Bolts into the slots in the end of the channels, (4 Bolts per channel), on the bottom of the Running Board, **(Figure 8)**. Hold the Running Board up in approximate position and slide the T-Bolts down to line up with the Mounting Brackets. Tilt the Board up at a slight angle and push back against the vehicle until the T-Bolts fit into the slots on the Brackets. Secure the Board to the Brackets with (4) 6mm Flat Washers, (4) 6mm Nylon Lock Nuts, **(Figure 9)**. Do not tighten hardware at this time.
9. Level and adjust the Running Board and tighten all hardware.
10. Repeat Steps 2 - 9 for passenger side Running Board installation. **NOTE:** Driver side rear Mounting Bracket bolts to the outer wall of the frame channel, **(Figure 10)**.
11. Do periodic inspections to the installation to make sure that all hardware is secure and tight.

**To protect your investment**, wax this product after installing. Regular waxing is recommended to add a protective layer over the finish. Do not use any type of polish or wax that may contain abrasives that could damage the finish.

**For stainless steel:** Aluminum polish may be used to polish small scratches and scuffs on the finish. Mild soap may be used also to clean the Running Board.

**For gloss black finishes:** Mild soap may be used to clean the Running Board.

### Passenger Side Installation Pictured

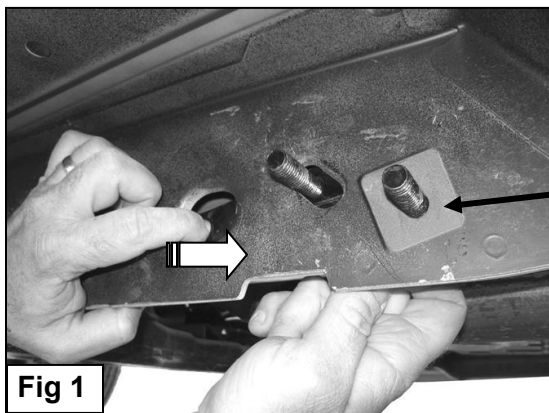


Fig 1

M12 Bolt Plates  
12mm Plastic Retainers  
Use for all Bolt Plate  
installations

M12 Bolt Plate  
12mm Plastic Retainer  
M12 Lock Washer  
M12 Flat Washer  
M12 Hex Nut

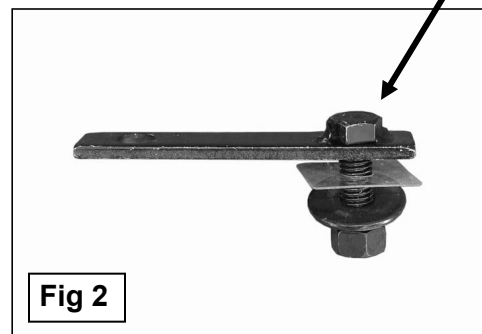


Fig 2

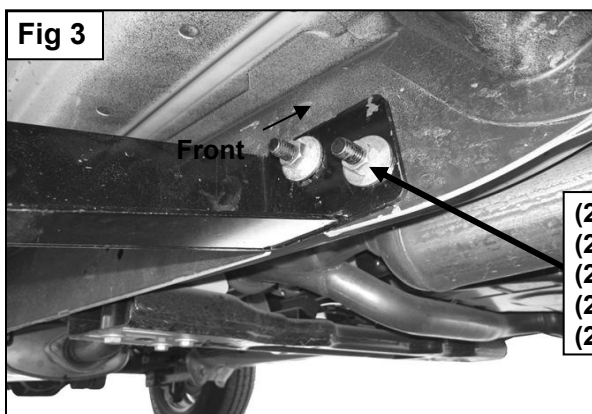


Fig 3

(2) M12 Bolt Plates  
(2) 12mm Plastic Retainers  
(2) M12 Lock Washers  
(2) M12 Flat Washers  
(2) M12 Hex Nuts

For 2002-2007 Jeep Liberty /\*Without Mudflaps, Factory "Rock Rails" Must Be Removed If Equipped And Cannot Be Reinstalled

### Passenger Side Installation Pictured

