

(6",5",4") RUNNING BOARD  
For 1984-2000 Jeep Cherokee 4Dr ONLY

# Installation Instructions for IB10EBA7

by APS Auto Parts Specialist Inc.

Application: For 1984-2000 Jeep Cherokee 4Dr ONLY

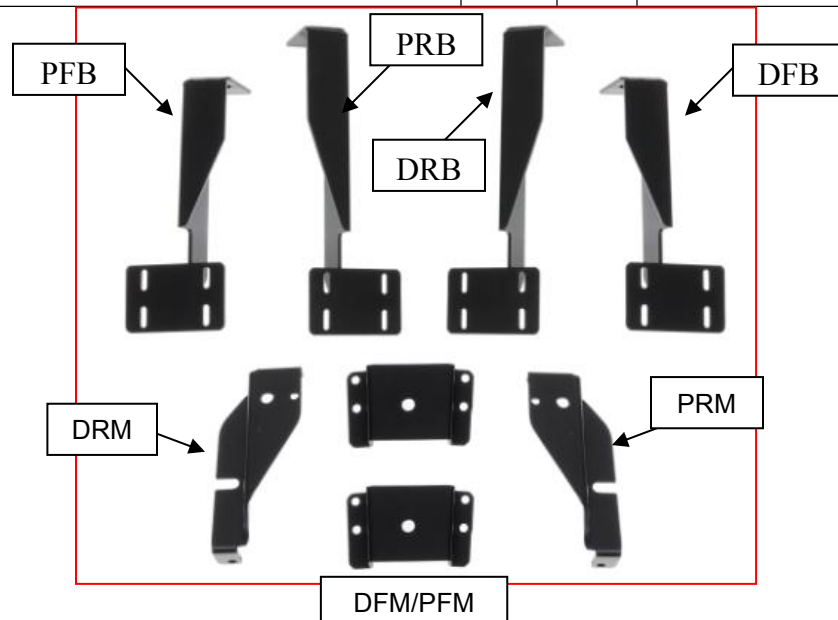
Estimated Time: 1 to 2 hours



Disclaimer: Instructions intended for persons aged 18+ please do not attempt without adult supervision. Instructions are not intended to replace professional installation. Damage from improper installation, misuse or modification to the product voids the manufacturer's warranty.

**PARTS LIST:**

Item	Qty	Description	Item	Qty	Description
#01	2	Running Board(use for left or right)	#11	4	M12 Lock Washers
#02	1	Driver Front Mounting Brackets(DFB)	#12	4	M12X1.75 Hex Nuts
#03	1	Passenger Front Mounting Brackets(PFB)	#13	10	M10X1.5-25 Hex Bolts
#04	1	Driver Rear Mounting Brackets(DRB)	#14	10	M10 Flat Washers
#05	1	Passenger Rear Mounting Brackets(PRB)	#15	10	M10 Lock Washers
#06	2	Front Connecting Plate(DFM/PFM)	#16	1	Hand Screw Tap
#07	1	Driver Rear Connecting Plate(DRM)	#17	16	M6 Nylon Lock Nuts
#08	1	Passenger Rear Connecting Plate(PRM)	#18	16	M6X1.0 - 20mm T-Bolts
#09	4	M12X1.75-50 Hex Bolts (Full thread)	#19	16	M6 Flat Washers
#10	8	M12 Flat Washers			



**PROCEDURE:**

1. Remove all parts from the box and check for any damage. Verify all parts are there.
2. Read and understand all of the instructions before installing.
3. Install both front and rear mounting brackets using (2) M12X1.75-50 Hex Bolts,(4) M12 Flat Washers,(2) M12 Lock Washers, and (2) M12X1.75 Hex Nuts leaving them loose. **See Fig1&2.**
4. Select a Running Board. Slip (4) M6 T-Bolts into each bottom channel (**Figure 3**).Carefully position the Running Board onto the Mounting Brackets. Attach the Running Board to the Mounting Brackets with (4)M6 flat washers and (4)M6 nylon lock nuts, (**Figure 4**). Do not tighten hardware at this time. The spacing between the front and rear brackets is about 1430mm.
5. Place the side step assembly on to the vehicle frame. Slid the mounting bracket on the shackle bolt (**NOTE: DO NOT REMOVE THIS BOLT**) on the frame, until the step bar on the proper position, and tighten the shackle bolt and other M12 bolts until the rear mounting bracket is held in place. **See Fig5.**
6. Hold up the front end of the Step Bar assembly. Make sure the Step Bar is properly aligned with the vehicle body and level, and then mark the mounting holes on the vehicle frame.
7. Drill holes on the vehicle frame according to the marks using the 8.5mm drill bit.  
**NOTE:** On some models it may be necessary to locate the front mounting bracket at an angle to keep away from the OEM holes on the frame. **See Fig5.**
8. Tap (4) 10mm threads on to the drilled holes with the supplied 10mm Hand Screw Tap.
9. Secure the front mounting bracket to the threads holes (which were taped on step 7) on the frame, using (4) M10X1.5-25 Hex Bolts, (4) M10 Lock Washers and (4) M10 Flat Washers.
10. Make sure the step bar is properly aligned and leveled, and then tighten all fasteners.
11. Repeat Step 3-10 for the other side installation.

12. Installation completed!

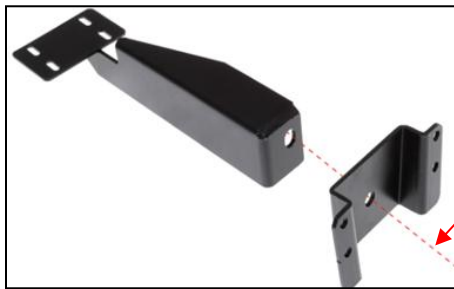
13. Do periodic inspections to the installation to make sure that all hardware is secure and tight.

To protect your investment, wax this product after installing. Regular waxing is recommended to add a protective layer over the finish. Do not use any type of polish or wax that may contain abrasives that could damage the finish.

**For Polished Finishes:** Aluminum polish may be used to polish small scratches and scuffs on the finish. Mild soap may be used also to clean the Running Board.

**For black finishes:** Mild soap may be used to clean the Running Board.

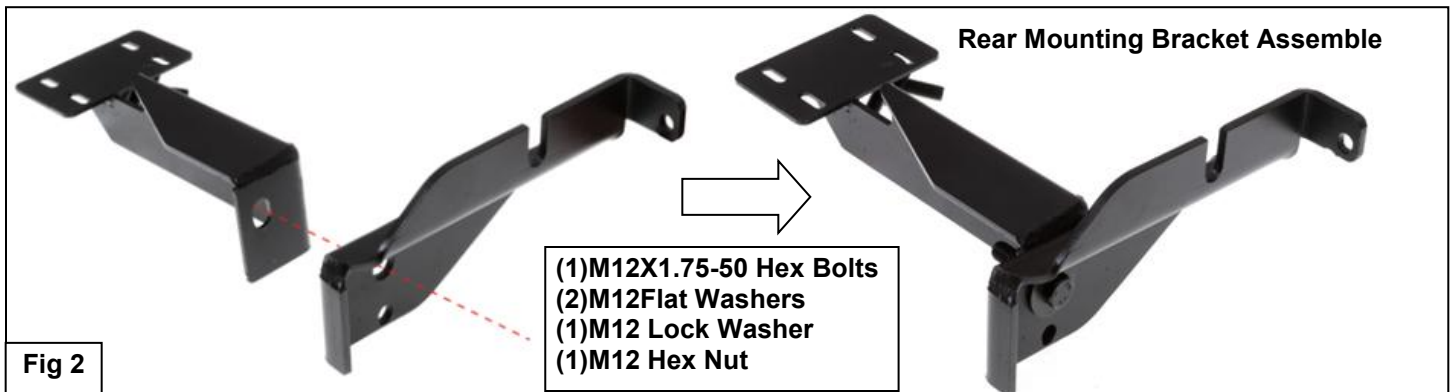
### Driver Side Installation Pictured



- (1)M12X1.75-50 Hex Bolts
- (2)M12Flat Washers
- (1)M12 Lock Washer
- (1)M12 Hex Nut



Fig 1 Front Mounting Bracket Assemble



Rear Mounting Bracket Assemble

- (1)M12X1.75-50 Hex Bolts
- (2)M12Flat Washers
- (1)M12 Lock Washer
- (1)M12 Hex Nut

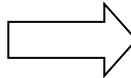
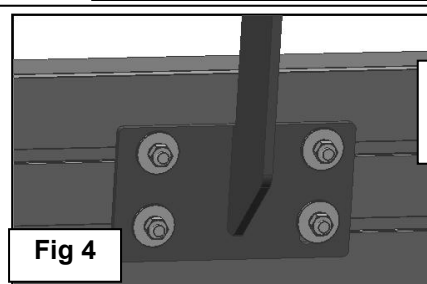


Fig 2

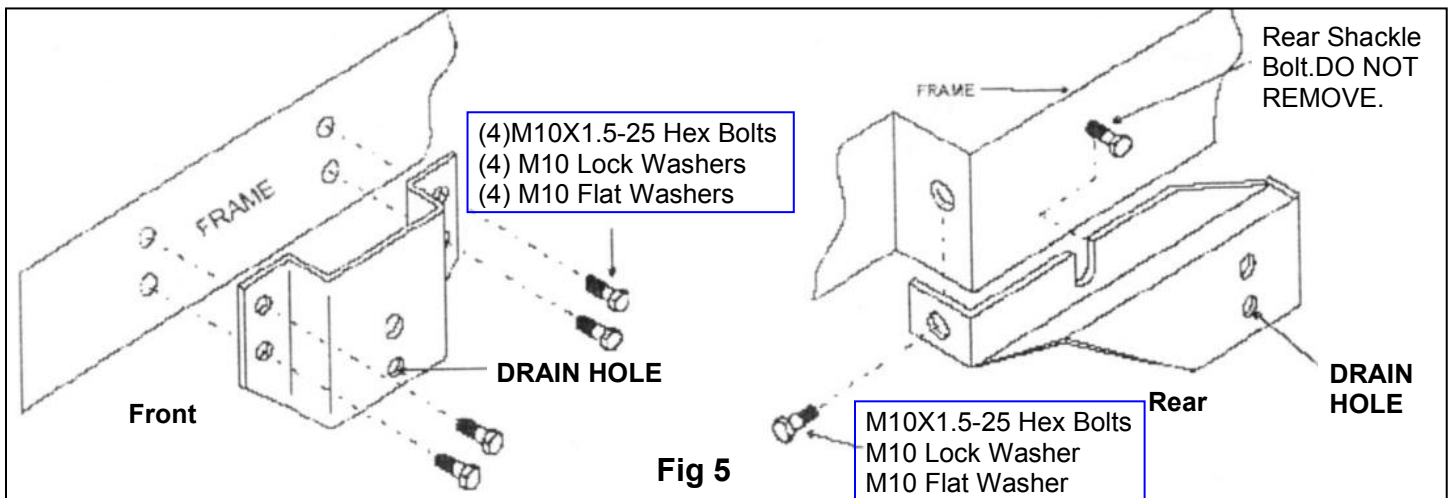


(Fig 3) Slip 6mm T-bolts into the bottom channel



- (4)6mm T-bolts
- (4)6mm Flat Washers
- (4)6mm Nylon Lock

Fig 4



- (4)M10X1.5-25 Hex Bolts
- (4) M10 Lock Washers
- (4) M10 Flat Washers

Rear Shackle Bolt. DO NOT REMOVE.

- M10X1.5-25 Hex Bolts
- M10 Lock Washer
- M10 Flat Washer

Fig 5