

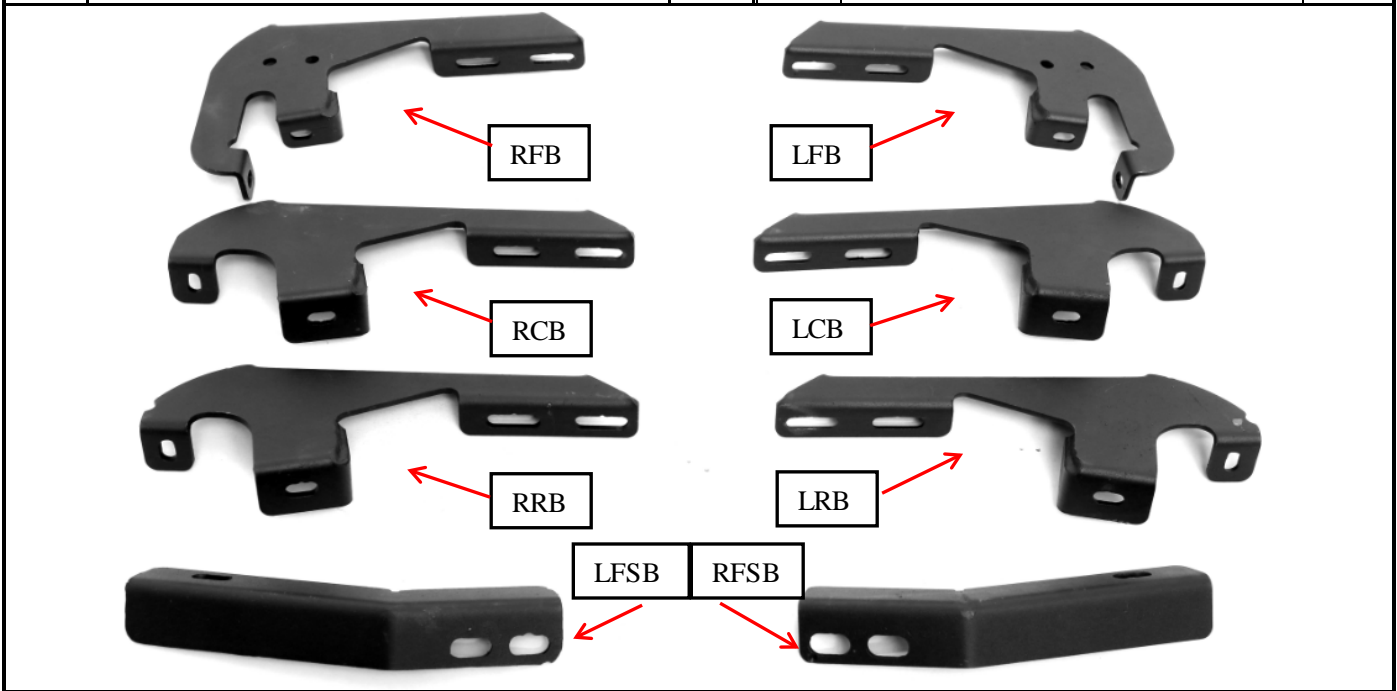


iRunning Board Installation Instruction

Part#: IB-HR970

Application: 2009-2015 HONDA PILOT
2009-2013 Acura MDX

Item	Part Name	QTY	Item	Part Name	QTY
1,2	Running boards (Driver+ Passenger)	2	13	8mm Insert Installation Tool	1
3	Driver Front Mounting Bracket (LFB)	1	14	10-1.50mm x 35mm Hex Bolts	4
4	Passenger Front Mounting Bracket(RFB)	1	15	10.5mm x 30mm OD x 2.5mm Flat Washers	10
5	Driver Front Support Bracket (LFSB)	1	16	10mm Lock Washer	6
6	Passenger Front Support Bracket (RFSB)	1	17	10mm Hex Nut	6
7	Driver Center Mounting Bracket (LCB)	1	18	8-1.25mm x 25mm Hex Bolts	12
8	Passenger Center Mounting Bracket (RCB)	1	19	8mm Lock Washers	12
9	Driver Rear Mounting Bracket (LRB)	1	20	8.4mm x 24mm OD x 2mm Flat Washers	12
10	Passenger Rear Mounting Bracket (RRB)	1	21	M6 Square Head Bolt	12
11	M10x40mm Bolt Plate	2	22	M6 Nylon Lock Nuts	12
12	8-1.25mm Threaded Insert	2	23	M6 Flat Washers	12



Step	Installation Instruction
1	Verify all parts are present. READ INSTRUCTIONS CAREFULLY BEFORE STARTING INSTALLATION.
2	Starting on the driver side, locate the two factory 8mm threaded holes, one located in the bottom of the floor panel and the second in the side of the inner body panel (FIG 1). IMPORTANT: All factory threaded holes may be covered with rubber plugs or undercoating. Scrape off any excess undercoating from mounting surfaces.

The instruction here is for your reference only. We strongly recommend the professional installer for best result. We are not responsible for any damage caused by the installation. Thank you for choosing our product!

iRunning Board Installation Instruction

Part#: IB-HR970

Application: 2009-2015 HONDA PILOT
2009-2013 Acura MDX

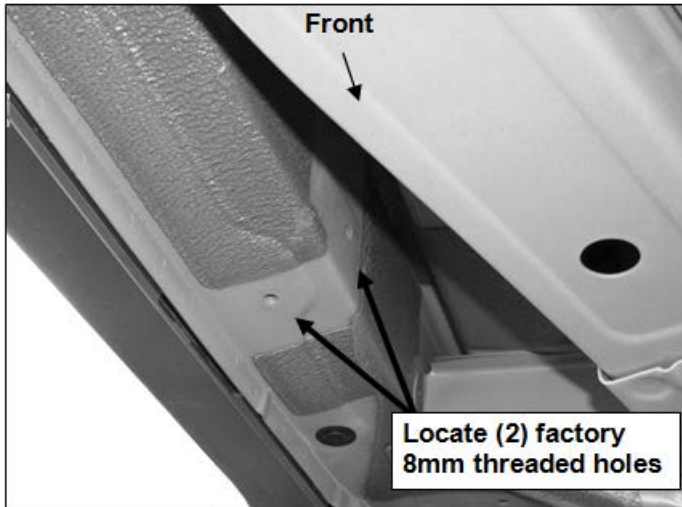
3	Select the driver side Front Mounting Bracket. Attach the Bracket to the two threaded holes using the provided (2) 8mm x 25mm Hex Bolts, (2) 8mm Lock Washers and (2) 8mm Flat Washers. Snug but do not tighten hardware at this time, (FIG 2) .
4	Select (1) 10mm Bolt Plate, (FIG 3) . Insert the Bolt Plate into the factory hole in the bottom of the frame channel, (FIG 4) . Rotate the Bolt Plate clock-wise 90- degrees or until it stops turning. NOTE: To help determine the correct inner mounting hole on the frame to use, hold the Support Bracket up to the back of the Front Bracket with the inner end lined up with the hole in the bottom of the frame channel. (FIG 5)
5	Bolt the driver side Support Bracket to the back of the front Mounting Bracket with (2) 10mm x 35mm Hex Bolts, (4) 10 mm Flat Washers, (2) 10mm Lock Washers and (2) 10mm Hex Nuts, (FIG 5) . Next , hang the inner end of the Support Bracket from the previously installed Bolt Plate using (1) 10mm Flat Washer, (1) 10mm Lock Washer and (1) Hex Nut. Do not fully tighten hardware at this time.
6	Move to the center and locate the (2) 8mm threaded holes on the bottom to the floor panel and bottom of the frame channel, (FIG 6) . Select the driver side Center Mounting Brackets, (FIG 7) . IMPORTANT: Center and Rear Brackets are similar but unique. To help identify, the Center Brackets feature a notch cut out of the inner end of the Bracket. Attach the Center Bracket to the two threaded holes using the provided (2) 8mm X 25mm Hex Bolts, (2) 8mm Lock Washers and (2) 8mm Flat Washers (FIG 8) . Snug but do not tighten hardware at this time.
7	Continue to the rear mounting location. Locate the 8mm threaded hole in the bottom of the frame channel (FIG 9) . Locate the OE hole in the bottom of floor panel. Remove rubber plugs as necessary. NOTE: To determine the correct mounting holes to use, hold the driver side rear Mounting Bracket up in position against the factory threaded hole in the end of the frame channel, (FIG 9) . Remaining hole in mounting tab on the bracket will line up with correct factory hole in floor panel.
8	Select the 8mm Threaded Insert Tool, (1) 8mm Threaded Insert, (1) 8mm Flat Washer and (1) 8mm x 25mm Hex Bolt, (FIG 10) . Insert the assembly into the factory hole. Firmly hold the tool handle and assembly up tight against the floor panel and tighten the 8mm Hex Bolt until the insert is fully expanded in the hole, (FIG 11) . NOTE: Do not over tighten or a pull out may occur. Once Insert is fully compressed, remove the bolt and tool from the Insert.
9	Attach the driver side Rear Bracket to the (2) threaded holes with (2) 8mm x 25mm Hex Bolts, (2) 8mm Lock Washers and (2) 8mm Flat Washers, (FIG 13) . Do not tighten hardware at this time.
10	Select the driver/left side Running Board. Locate the openings cut at the end of the slots on the bottom of the Running Board, (FIG 14) . Insert (3) M6 Square Hex Bolt into each channel through the openings. Slide the T-Bolts into the approximate position in line with the (3) Brackets on the vehicle.
11	Carefully position the Driver Running Board. Locate the openings cut at the end of the slots on the bottom of the Running Board, (FIG 14) . Insert (3) M6 Square Head Bolt into each channel.
12	Level and adjust the Running Board and tighten all hardware.
13	Repeat Steps 2 - 12 for Passenger side, Installation Completed.
To protect your investment: wax this product after installing. Regular waxing is recommended to add a protective layer over the finish. Do not use any type of polish or wax that may contain abrasives that could damage the finish. For Polished finishes: Aluminum polish may be used to polish small scratches and scuffs on the finish. Mild soap may be used also to clean the Sidebar. For Black finishes: Mild soap may be used to clean the running board.	

The instruction here is for your reference only. We strongly recommend the professional installer for best result. We are not responsible for any damage caused by the installation. Thank you for choosing our product!

iRunning Board Installation Instruction

Part#: IB-HR970

Application: 2009-2015 HONDA PILOT
2009-2013 Acura MDX



(Fig 1) Driver side front mounting location pictured

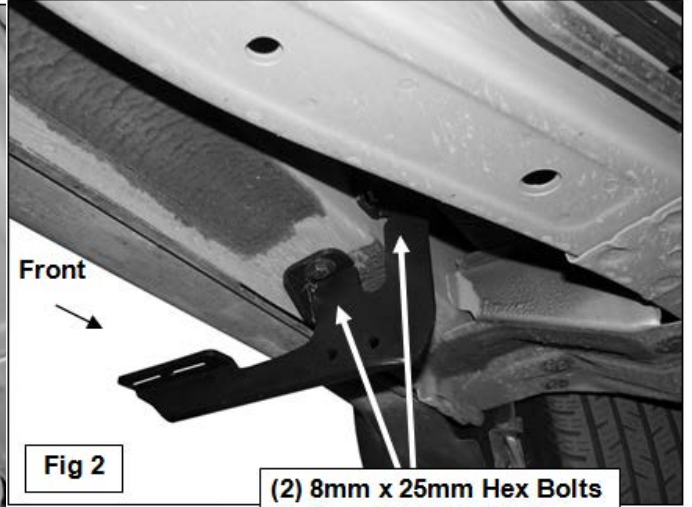
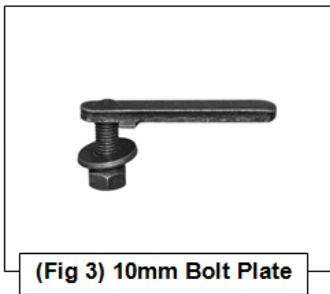


Fig 2

(2) 8mm x 25mm Hex Bolts
(2) 8mm Lock Washers
(2) 8mm Flat Washers



(Fig 3) 10mm Bolt Plate

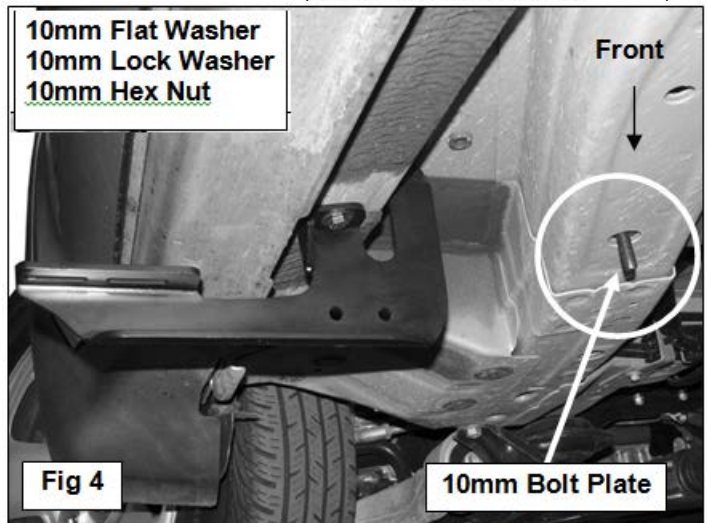


Fig 4

10mm Bolt Plate

***Pictures are for reference only, actual bars may be a little different.**

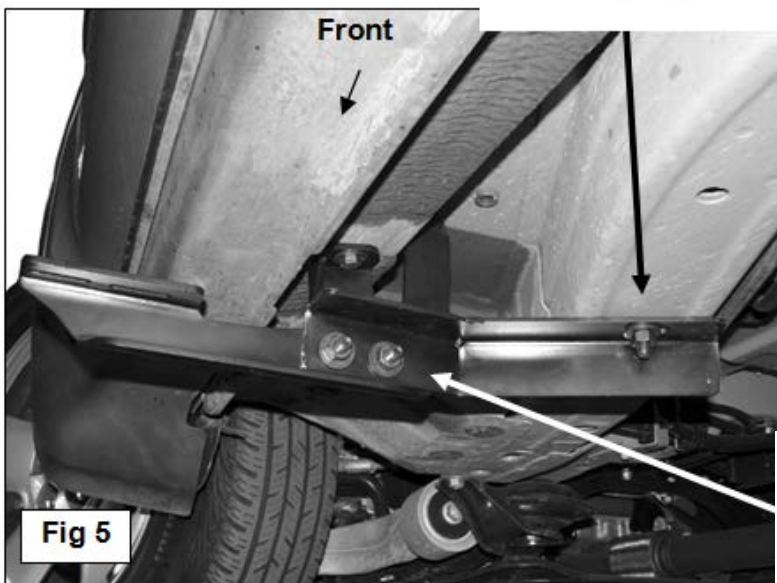


Fig 5

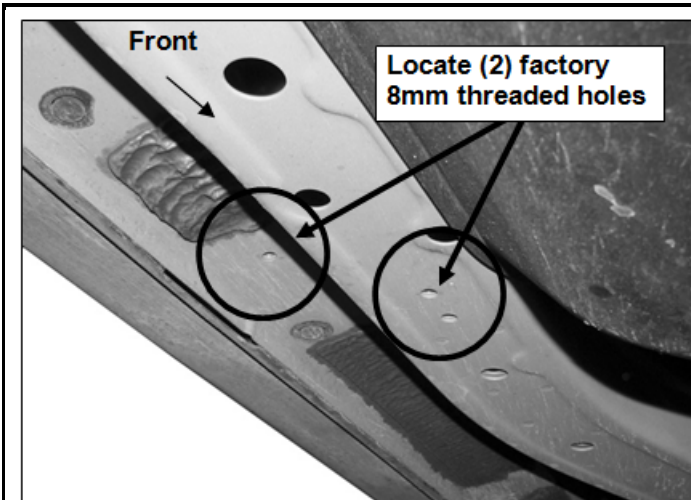
(2) 10mm x 35mm Hex Bolts
(4) 10mm Flat Washers
(2) 10mm Lock Washers
(2) 10mm Hex Nuts

The instruction here is for your reference only. We strongly recommend the professional installer for best result. We are not responsible for any damage caused by the installation. Thank you for choosing our product!

iRunning Board Installation Instruction

Part#: IB-HR970

Application: 2009-2015 HONDA PILOT
2009-2013 Acura MDX



(Fig 6) Driver side center mounting location pictured

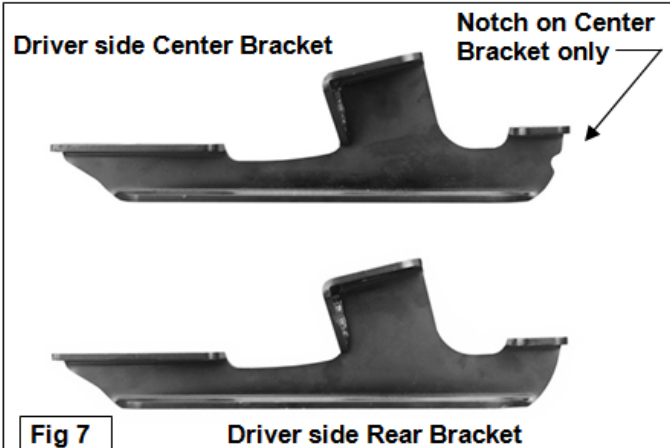
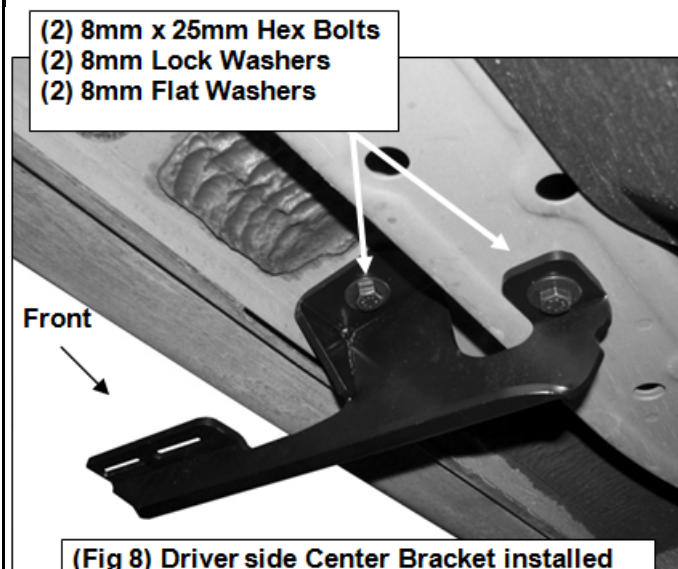
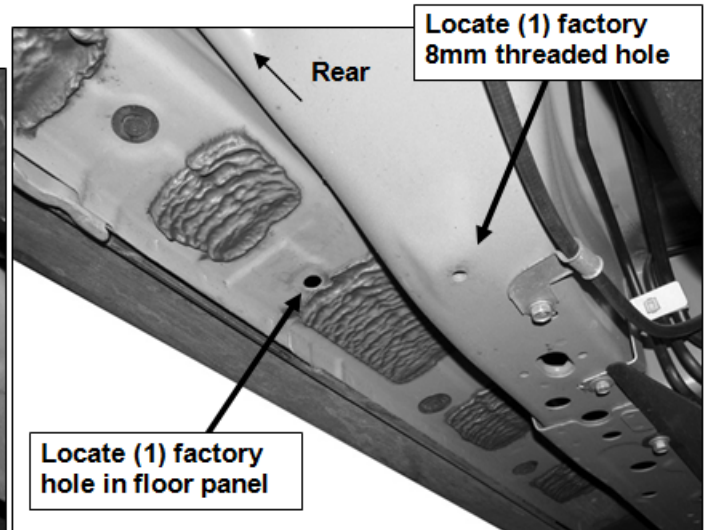


Fig 7

Driver side Rear Bracket



(Fig 8) Driver side Center Bracket installed



(Fig 9) Driver side rear mounting location pictured

***Pictures are for reference only, actual bars may be a little different.**

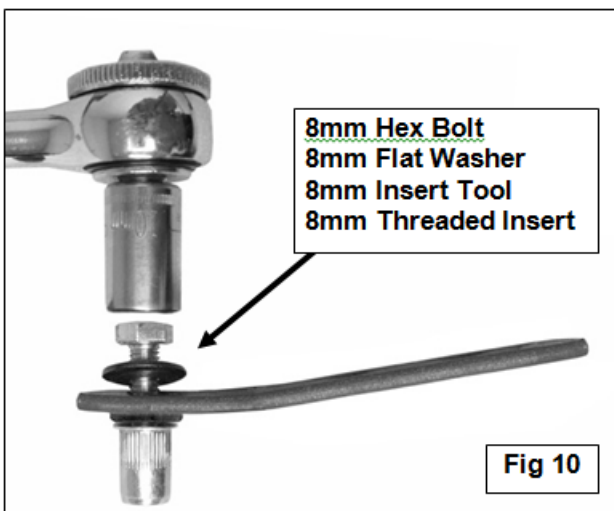


Fig 10



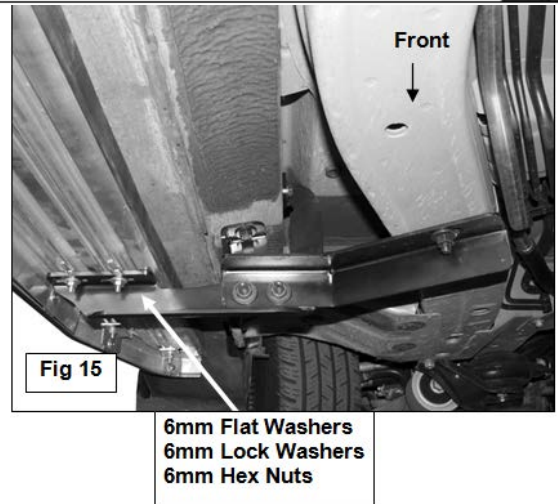
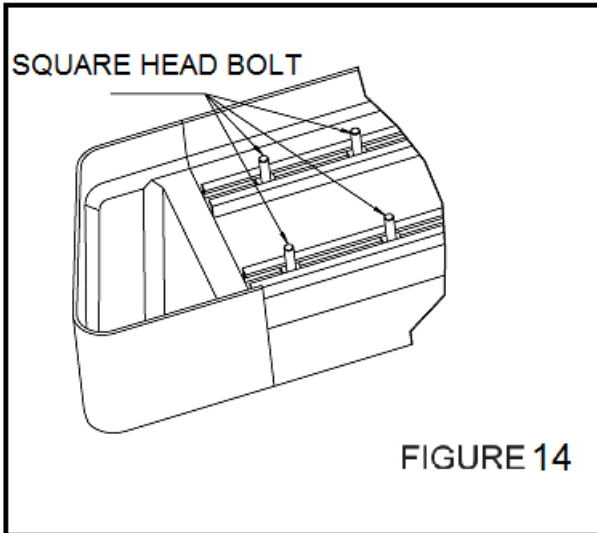
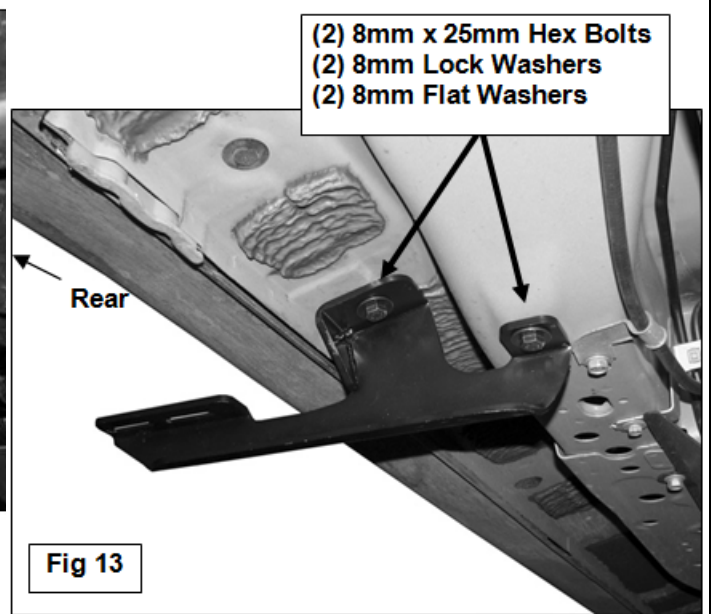
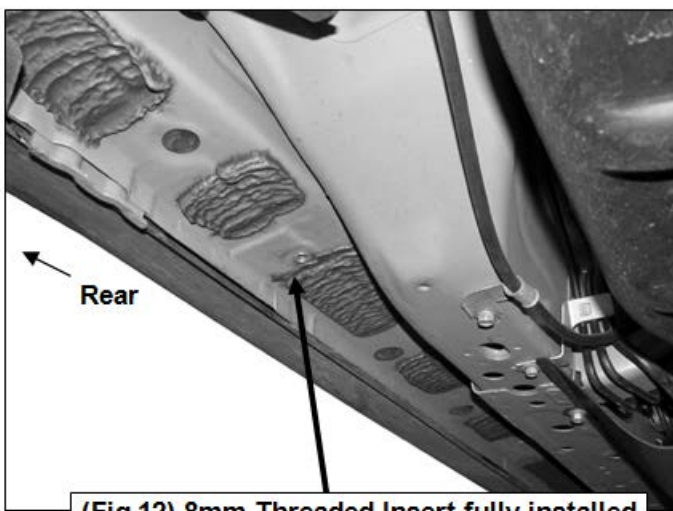
(Fig 11) Tighten Hex Bolt to collapse and lock Threaded Insert into factory hole

The instruction here is for your reference only. We strongly recommend the professional installer for best result. We are not responsible for any damage caused by the installation. Thank you for choosing our product!

iRunning Board Installation Instruction

Part#: IB-HR970

Application: 2009-2015 HONDA PILOT
2009-2013 Acura MDX



***Pictures are for reference only,
actual bars may be a little different.**



The instruction here is for your reference only. We strongly recommend the professional installer for best result. We are not responsible for any damage caused by the installation. Thank you for choosing our product!