



# Installation Instructions for IB08ECF3

by APS Auto Parts Specialist Inc.

**Application:** For 2017-2018 Honda Odyssey

Estimated Time: 1 to 2 hours



Disclaimer: Instructions intended for persons aged 18+ please do not attempt without adult supervision. Instructions are not intended to replace professional installation. Damage from improper installation, misuse or modification to the product voids the manufacturer's warranty.

**PARTS LIST:**

Item	Qty	Description	Item	Qty	Description
#01	2	Running Boards(use for left or right)	#12	4	M10 Lock Washers
#02	1	Driver/left Front Bracket(DFM)	#13	4	M10 Hex Nuts
#03	1	Passenger/right Front Bracket(PFM)	#14	2	M8 Nut/M8X35 Bolt Plates
#04	1	Driver/left Center Bracket(DCM)	#15	2	8mm Plastic Retainers
#05	1	Passenger/right Center Bracket(PCM)	#16	8	M8X1.25 - 30 Hex Bolts
#06	1	Driver/left Rear Bracket(DRM)	#17	10	M8 Flat Washers
#07	1	Passenger/right Rear Bracket(PRM)	#18	10	M8 Lock Washers
#08	2	M10 x 35 Large Bolt Plates(rear bracket)	#19	2	M8X1.25 Hex Nuts
#09	2	M10x40 Small Bolt Plates(center bracket)	#20	12	M6X1.0 - 20mm T-Bolts
#10	4	10mm Plastic Retainers	#21	12	M6 Flat Washer
#11	4	M10 Large Flat Washers	#22	12	M6 Nylon Lock Nuts



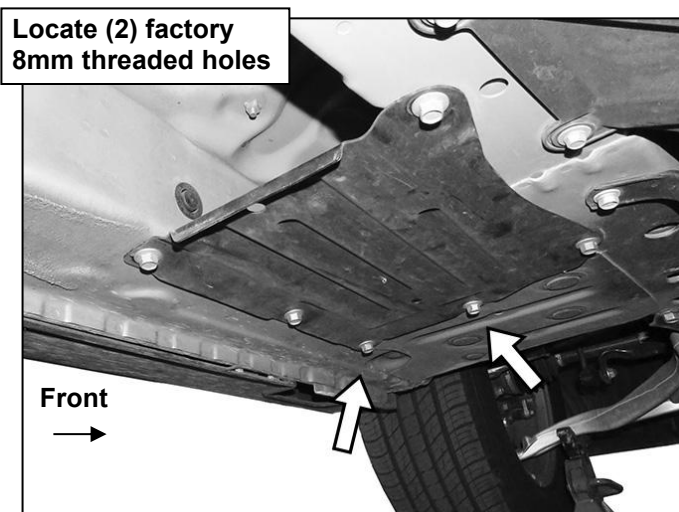
**PROCEDURE:**

- 1. REMOVE CONTENTS FROM BOX. VERIFY ALL PARTS ARE PRESENT. READ INSTRUCTIONS CAREFULLY BEFORE STARTING INSTALLATION.**
- Starting on the driver/left side front of the vehicle, locate the two factory 8mm threaded holes located in the bottom of the floor panel, **(Figure 1)**. **NOTE:** Trays must be removed on models equipped with undertray and will not be reinstalled. Threaded holes may be covered with insulation. Clean mounting locations as required for proper Bracket installation.
- Select the driver/left Front Mounting Bracket, **(Figure 2)**. Attach the Bracket to the two threaded holes with (2) M8 x 30mm Hex Bolts, (2) M8 Lock Washers and (2) M8 Flat Washers, **(Figures 2 & 3)**. Do not tighten hardware at this time.
- Move to the center of the vehicle. Locate the threaded hole and rubber plugs in the bottom of the floor panel, **(Figure 4)**. Remove the tray if equipped. Remove the outer rubber plug. Select (1) 10mm Small Bolt Plate and (1) Plastic Retainer, **(Figures 5 & 6)**. Thread the Plastic Retainer part way onto the Bolt Plate. Insert the Bolt Plate into the round hole and tighten the Plastic Retainer down until it is tight against the floor panel. **NOTE:** Plastic Retainer is designed to help hold the Bolt Plate in place during Bracket installation. Use is not mandatory for installation.

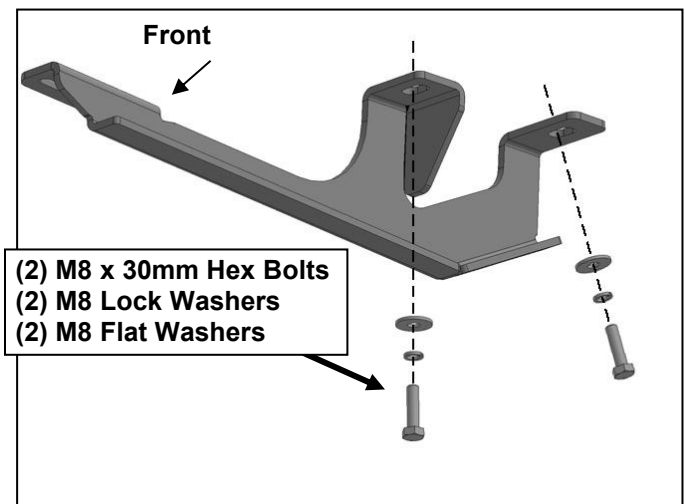
5. Select the driver/left Mounting Bracket. Attach the Bracket to the threaded hole with (1) M8 x 30mm Hex Bolt, (1) M8 Lock Washer and (1) M8 Flat Washer, **(Figure 6)**. Attach the Bracket to the Bolt Plate with (1) M10 Flat Washer, (1) M10 Lock Washer and (1) M10 Hex Nut, **(Figures 6 & 7)**. Do not fully tighten hardware at this time.
6. Next, move to the driver/left rear of the vehicle. Locate the oval hole in the bottom and (2) round holes in the inner side of the floor panel, **(Figure 8)**. Remove the rubber plugs if equipped.
7. Select (1) 8mm Bolt/Nut Plate and (1) 8mm Plastic Retainer, **(Figure 9)**. Thread the Retainer part way onto the Bolt. Insert the nut end of the Bolt/Nut Plate into one round hole and line it up with the 2nd round hole. Tighten the Plastic Retainer down until it is tight against the floor panel, **(Figure 10)**. Select (1) 10mm Large Bolt Plate and (1) Plastic Retainer, **(Figure 9)**. Thread the Plastic Retainer part way onto the Bolt Plate. Insert the Bolt Plate into the oval hole and tighten the Plastic Retainer down until it is tight against the floor panel.
8. Select the driver/left Rear Mounting Bracket, **(Figure 11)** Attach the Bracket to the bottom Bolt Plate with (1) M10 Flat Washer, (1) M10 Lock Washer and (1) M10 Hex Nut, **(Figures 11 & 12)**. Attach the Bracket to the 8mm Bolt/Nut Plate with (1) M8 x 30mm Hex Bolt, (2) M8 Lock Washers, (2) M8 Flat Washers and (1) M8 Hex Nut.
9. With assistance, select a Running Board. Slip (6) M6 T-Bolts into each bottom channel **(Figure 13)**. Carefully position the Running Board onto the Mounting Brackets. Attach the Running Board to the Mounting Brackets with (2) M6 T-bolts, (2) M6 flat washers and (2) M6 nylon lock nuts, **(Figure 14)**. Do not tighten hardware at this time
10. Level and adjust the Running Board and tighten all hardware. **NOTE: Torque all M6 nylon lock nuts to 7 lb-ft.**
11. Repeat **Steps 2—10** for the passenger/right Running Board installation.
12. Do periodic inspections to the installation to make sure that all hardware is secure and tight.

**To protect your investment**, wax this product after installing. Regular waxing is recommended to add a protective layer over the finish. Do not use any type of polish or wax that may contain abrasives that could damage the finish. **For stainless steel:** Aluminum polish may be used to polish small scratches and scuffs on the finish. Mild soap may be used also to clean the Running Board.

### Driver Side Installation Pictured



**(Fig 1) Remove tray if equipped to locate Driver side front mounting location**

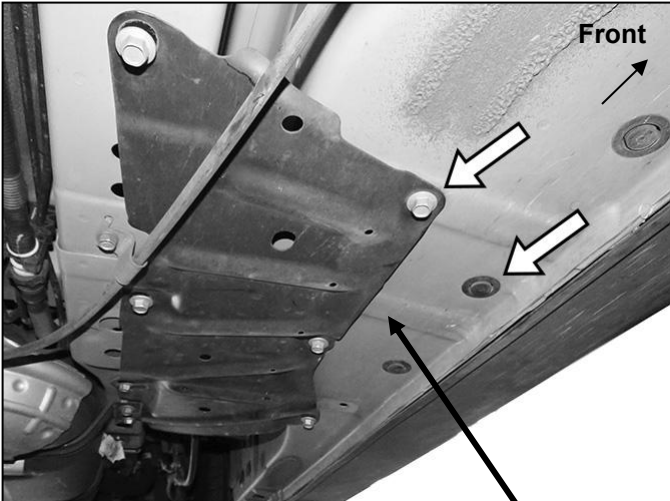


**(Fig 2) Driver/left Front Bracket**

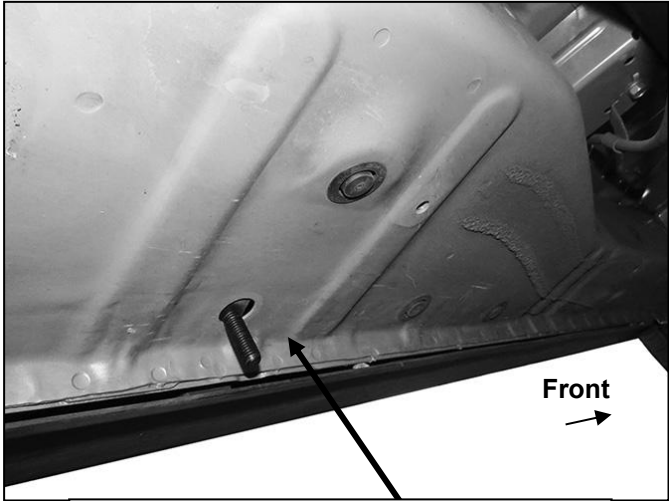
**Driver Side Installation Pictured**



**(Fig 3) Driver/left front Bracket installed**

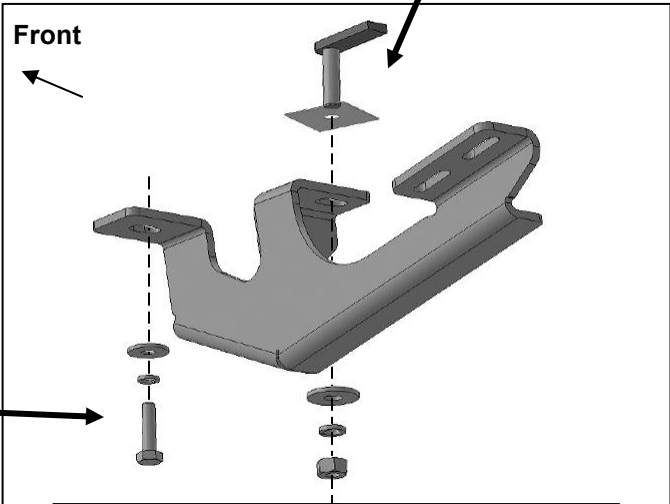


**(Fig 4) Remove tray if equipped to locate driver/left side center mounting location (arrows)**



**(Fig 5) Remove rubber plug. Insert 10mm Small Bolt Plate into round hole**

- M10 x 40mm Small Bolt Plate
- 10mm Plastic Retainer (Optional)
- M10 Flat Washer
- M10 Lock Washer
- M10 Hex Nut



- M8 x 30mm Hex Bolt
- M8 Lock Washer
- M8 Flat Washer

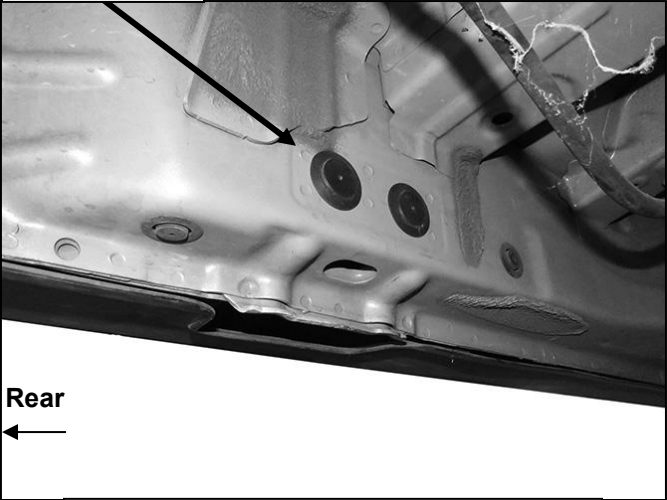
**(Fig 6) Attach Center Bracket to Bolt Plate and threaded hole in floor panel (Fig 5)**

**Driver Side Installation Pictured**



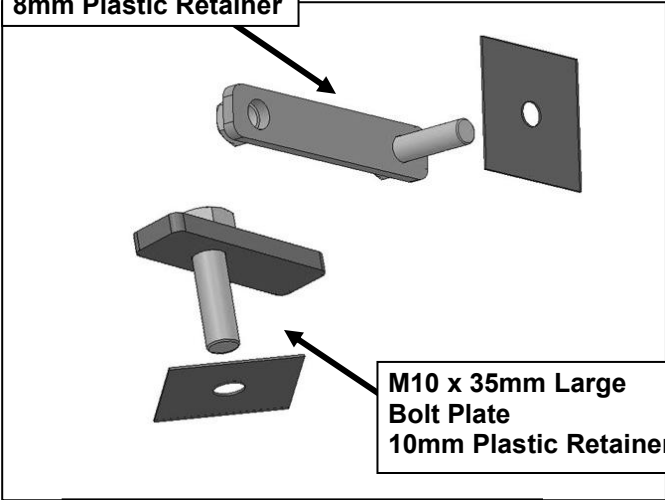
(Fig 7) Driver/left side Center Bracket installed

Remove (2)  
rubber plugs



(Fig 8) Driver/left rear mounting location

8mm Nut/Bolt Plate  
8mm Plastic Retainer

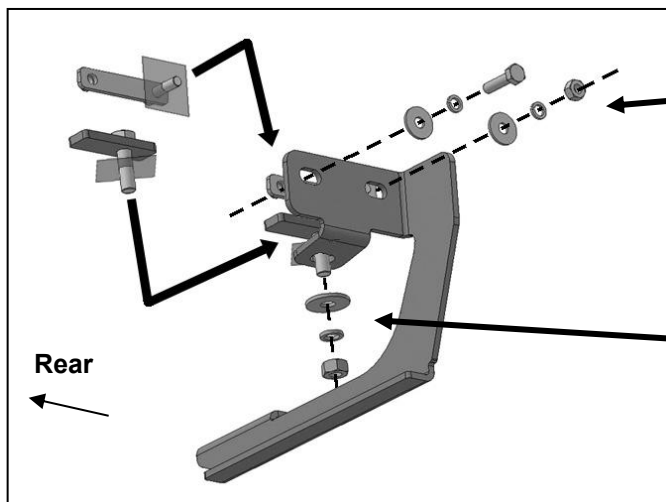


(Fig 9) Center Bracket-driver side



(Fig 10) Driver side rear mounting location. Insert 8mm Nut/Bolt Plate into round hole. Hold Bolt Plate and thread 8mm Plastic Retainer down tight to hold Nut/Bolt Plate in place

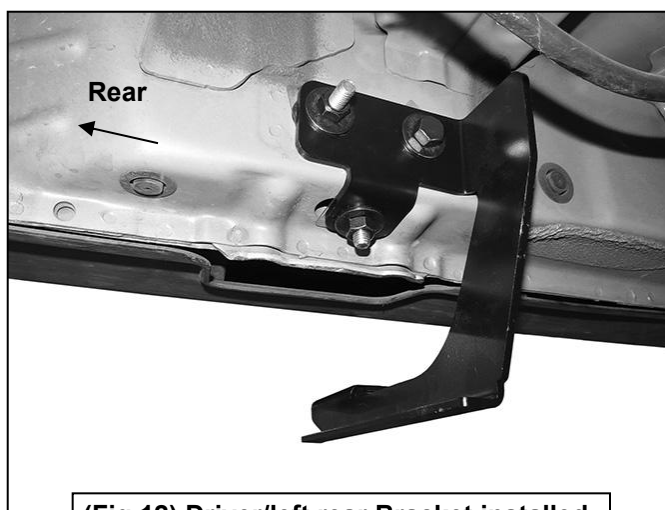
### Driver Side Installation Pictured



- 8mm Nut/Bolt Plate
- 8mm Plastic Retainer
- M8 x 30mm Hex Bolt
- (2) M8 Lock Washers
- (2) M8 Flat Washers
- M8 Hex Nut

- M10 x 35mm Large Bolt Plate
- 10mm Plastic Retainer (Optional)
- M10 Flat Washer
- M10 Lock Washer
- M10 Hex Nut

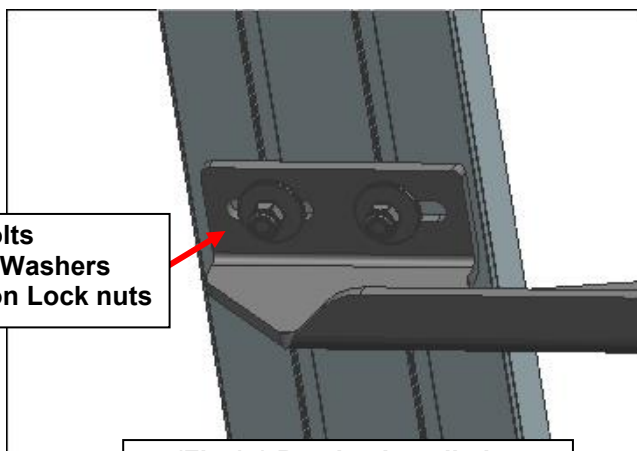
**Fig 11) Attach Bracket to bottom 10mm Bolt Plate first, then swing Bracket up and onto 8mm Nut/Bolt Plate**



**(Fig 12) Driver/left rear Bracket installed**



**(Fig 13) Slip M6 T-bolts into the bottom channel**



- (2)M6 T-bolts
- (2)M6 Flat Washers
- (2)M6 Nylon Lock nuts

**(Fig 14) Bracket Installation**