

Installation Instructions for IB08EAB1

by APS Auto Parts Specialist Inc.

Application: FOR 2002-2006 Honda CR-V

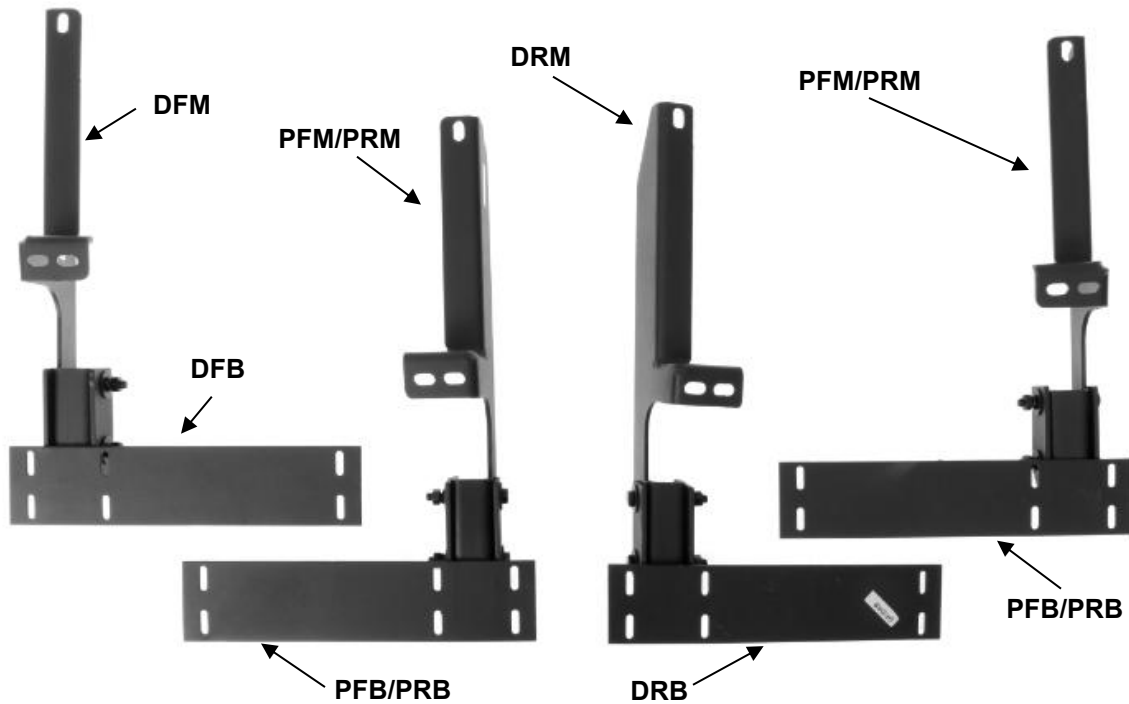
Estimated Time: 1 to 2 hours



Disclaimer: Instructions intended for persons aged 18+ please do not attempt without adult supervision. Instructions are not intended to replace professional installation. Damage from improper installation, misuse or modification to the product voids the manufacturer's warranty.

PARTS LIST:

Item	QTY	Description	Item	QTY	Description
#1	2	Running Board(use for left or right)	#9	8	10mm Lock Washers
#2	1	Driver Front Mounting Bracket (DFM)	#10	16	10mm Flat Washers
#3	1	Driver Rear Mounting Bracket (DRM)	#11	12	8mm Flat Washers
#4	2	Passenger Front or Rear Mounting Bracket (PFM/PRM)	#12	12	8mm x 20mm Hex Bolts
#5	2	Driver Lower Mounting Brackets (DFB/DRB)	#13	12	8mm Lock Washers
#6	2	Passenger Lower Mounting Brackets (PFB/PRB)	#14	24	6mm T-Bolts
#7	8	10mm x 80mm Hex Bolts	#15	24	6mm Flat Washers
#8	8	10mm Hex Nuts	#16	24	6mm Lock Nuts



PROCEDURE:

- REMOVE CONTENTS FROM BOX. VERIFY ALL PARTS ARE PRESENT. READ INSTALLATION INSTRUCTIONS CAREFULLY BEFORE STARTING INSTALLATION. DRILLING IS REQUIRED.**
- Start installation on the front, driver side of the vehicle. Select (1) Driver Front Mounting Bracket. Use the included (3) 8mm x 20mm Hex Bolt, (3) 8mm Lock Washer and (3) 8mm Flat Washer to attach the Bracket to the vehicle. Do not tighten hardware at this time (**Figure 1a**). **NOTE: Driver Front Frame Mounting Bracket and Driver Rear Frame Mounting Bracket are similar, but not universal (Figure 1b).**
- Select a Driver Lower Mounting Brackets, attach to the driver front bracket with (2) 10mm x 80 Hex bolts, (4) 10mm flat washers, (2) 10mm lock washers and (2) 10mm Hex Nuts (**Figure 1a**). Do not tighten hardware at this time
- Move toward the rear of the vehicle. Repeat **Step 2-3** to install the driver rear brackets. Do not tighten hardware at this time (**Figure 2**).
- Select a Running Board. Slip (12) 6mm T-bolts into each bottom channel (**Figure 3**). Carefully position the Running Board onto the (2) Mounting Brackets. **IMPORTANT:** Do not slide, (front to back), the Running Board on the Brackets or damage to the finish may result. Attach the Running Board to the Mounting Brackets with (6) 6mm T-bolts, (6) 6mm flat washers and (6) 6mm lock nuts (**Figures 4**). Do not tighten at this time.

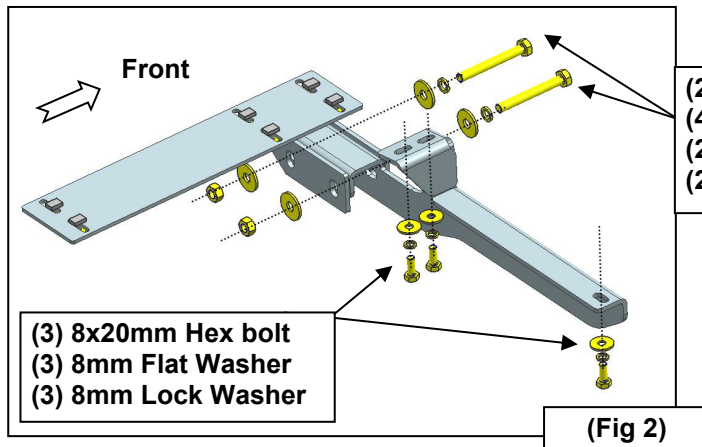
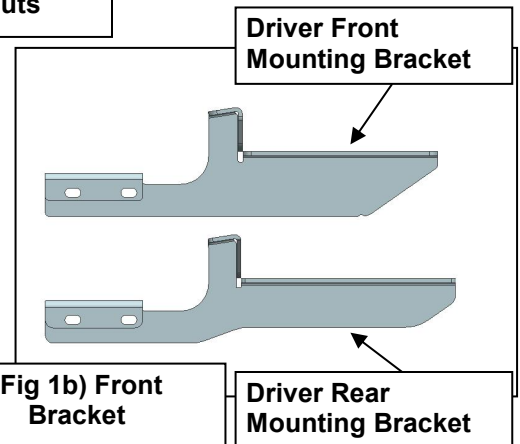
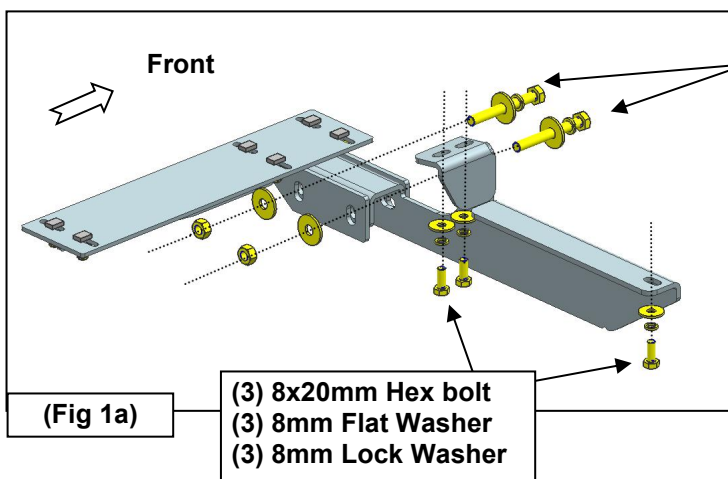
- Level and adjust the running board, and tighten all hardware. Check all mounting locations for clearance between factory steel body mount brackets and Mounting Brackets. Once satisfied with fit, fully tighten all hardware.
- Repeat **Steps 2—6** for passenger running board installation.
- Do periodic inspections to the installation to make sure that all hardware is secure and tight..

To protect your investment, wax this product after installing. Regular waxing is recommended to add a protective layer over the finish. Do not use any type of polish or wax that may contain abrasives that could damage the finish.

For Polished Finishes: Aluminum polish may be used to polish small scratches and scuffs on the finish. Mild soap may be used also to clean the Running Board.

For Black Finishes: Mild soap may be used to clean the Running Board.

Driver side installation illustrated



(6) 6mm T-bolts
(6) 6mm Flat Washers
(6) 6mm Lock nuts

