

Installation Instructions for IB08DCE2

by APS Auto Parts Specialist Inc.

Application: For 2016-2018 Honda Pilot
Estimated Time: 1 to 2 hours



Disclaimer: Instructions intended for persons aged 18+ please do not attempt without adult supervision. Instructions are not intended to replace professional installation. Damage from improper installation, misuse or modification to the product voids the manufacturer's warranty.

PARTS LIST:

Item	QTY	Description	Item	QTY	Description
#01	2	Running Board(use for left or right)	#08	12	M8X1.25mm- 25 Hex Bolt
#02	1	Driver Front Mounting Bracket(DFM)	#09	12	8mm x 24mm OD x 2mm Flat Washer
#03	1	Passenger Front Mounting Bracket(PFM)	#10	12	8mm Lock Washer
#04	1	Driver Center Mounting Bracket(DCM)	#11	12	M6X1 Nylon Lock Nuts
#05	1	Passenger Center Mounting Bracket(PFM)	#12	12	M6x1-20mm T-Bolts
#06	1	Driver Rear Mounting Bracket(DRM)	#13	12	M6 Flat Washer
#07	1	Passenger Rear Mounting Bracket(PRM)			



PROCEDURE:

- 1. REMOVE CONTENTS FROM BOX. VERIFY ALL PARTS ARE PRESENT. READ FACTORY BODY BOLT REMOVAL INSTRUCTIONS AND INSTALLATION INSTRUCTIONS CAREFULLY BEFORE STARTING INSTALLATION.**
- Starting on the passenger side front of the vehicle, locate the two factory 8mm threaded holes located in the bottom of the floor panel, **(Figure 1)**. **NOTE:** Brackets install in the factory running board mounting locations. Threaded holes may be covered with insulation. Clean mounting locations as required for proper Bracket installation.
- Select (1) Front Mounting Bracket, **(Figure 2)**. **NOTE:** Brackets will fit left or right side. Attach the Bracket to the two threaded holes with (2) 8mm x 25mm Hex Bolts, (2) 8mm Lock Washers and (2) 8mm Flat Washers, **(Figure 3)**. Snug but do not tighten hardware at this time.
- Move to the center of the vehicle. Locate the two threaded holes in the bottom of the floor panel and body support panel, **(Figure 4)**. Repeat **Steps 2 & 3** to attach (1) Center Bracket, **(Figures 5 & 6)**.
- Next, move to the passenger/right rear of the vehicle. Locate the holes in the bottom and inner side of the floor panel, **(Figure 7)**. Repeat **Steps 2 & 3** to install (1) Rear Bracket, **(Figures 8 & 9)**.
- Select a Running Board. Slip (6)6mm T-bolts into each bottom channel **(Figure 10)**. Carefully position the Running Board onto the (3) Mounting Brackets. **IMPORTANT:** Do not slide, (front to back), the Running Board on the Brackets or damage to the finish may result. Attach the Running

Board to each Mounting Brackets with (2) M6 T-bolts, (2)M6 flat washers and (2)M6 nylon lock nuts (Figures 11). Do not tighten at this time.

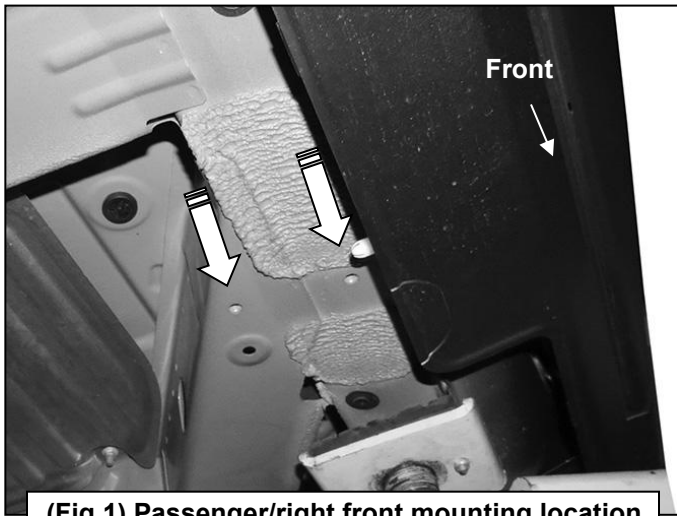
7. Level and adjust Running Board properly and tighten all hardware. **NOTE: Torque all M6 nylon lock nuts to 7 lb-ft.**
8. Repeat Steps 2—7 for passenger/right Running Board installation.
9. Do periodic inspections to the installation to make sure that all hardware is secure and tight

To protect your investment, wax this product after installing. Regular waxing is recommended to add a protective layer over the finish. Do not use any type of polish or wax that may contain abrasives that could damage the finish.

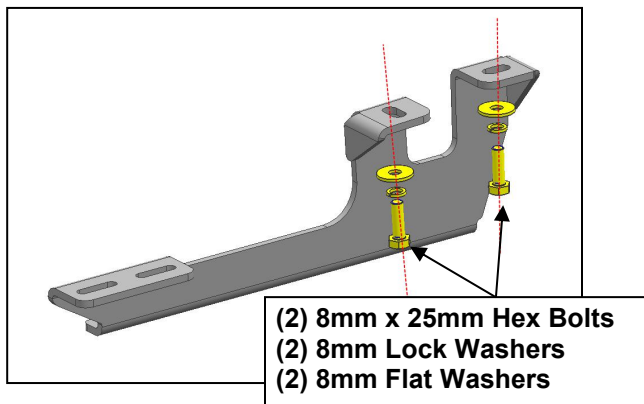
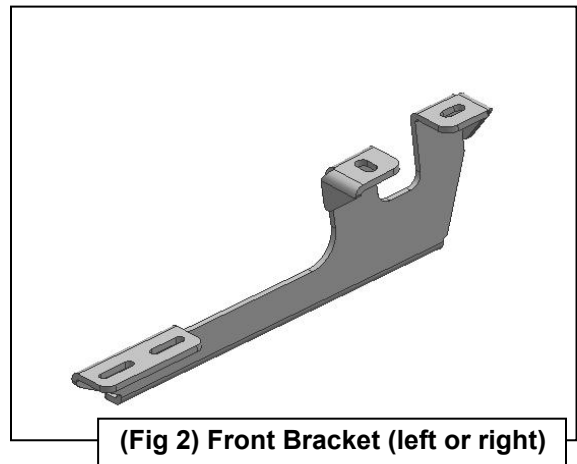
For Polished Finishes: Aluminum polish may be used to polish small scratches and scuffs on the finish. Mild soap may be used also to clean the Running Board.

For Black Finishes: Mild soap may be used to clean the Running Board.

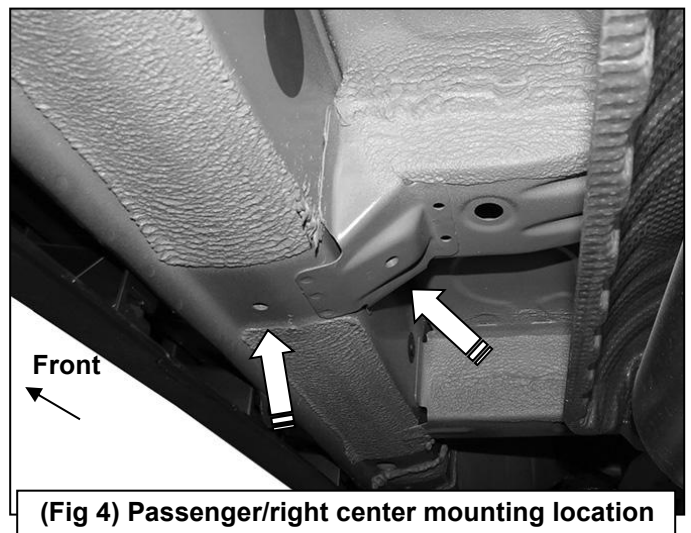
Passenger Side Installation Pictured



(Fig 1) Passenger/right front mounting location

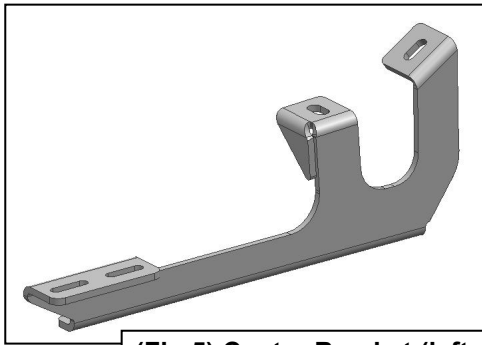


(Fig 3) Front bracket-passenger side

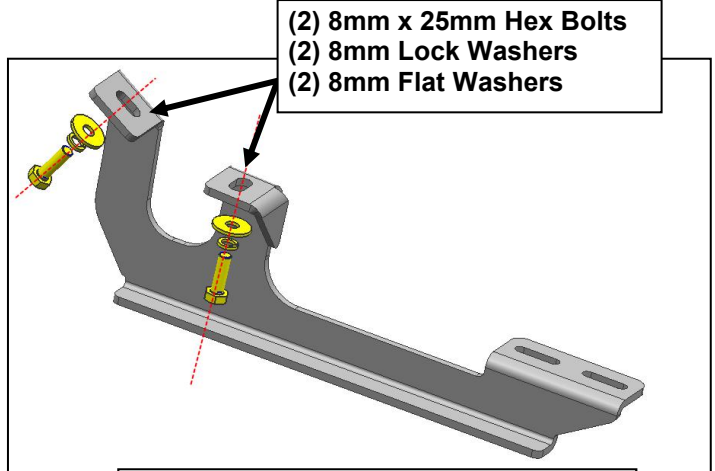


(Fig 4) Passenger/right center mounting location

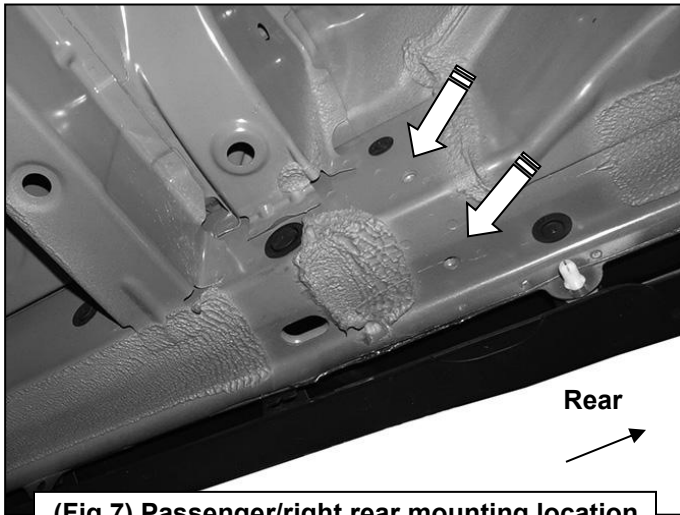
Passenger Side Installation Pictured



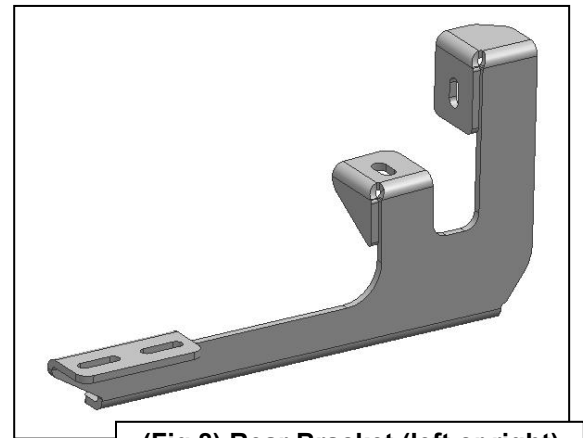
(Fig 5) Center Bracket (left or right)



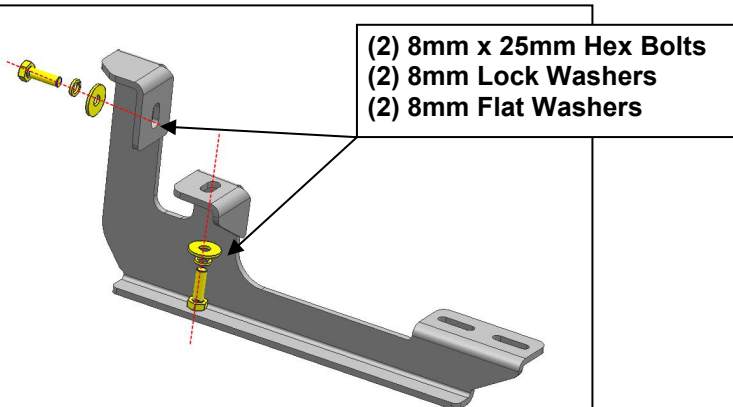
(Fig 6) Center bracket-passenger side



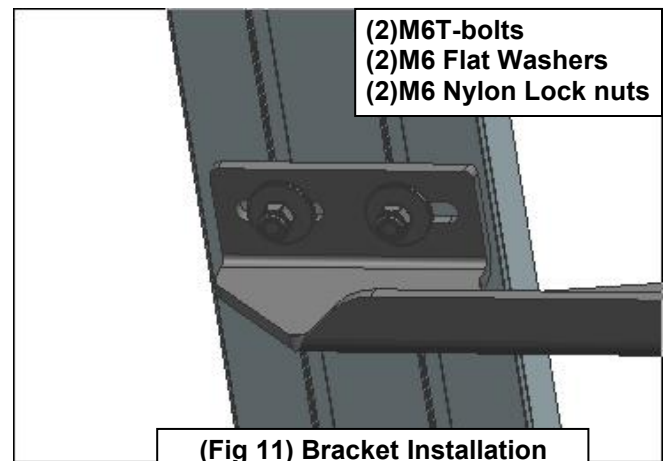
(Fig 7) Passenger/right rear mounting location



(Fig 8) Rear Bracket (left or right)



(Fig 9) Rear bracket-passenger side



(Fig 11) Bracket Installation



Slip M6 T-bolts into the bottom channel

Fig 10