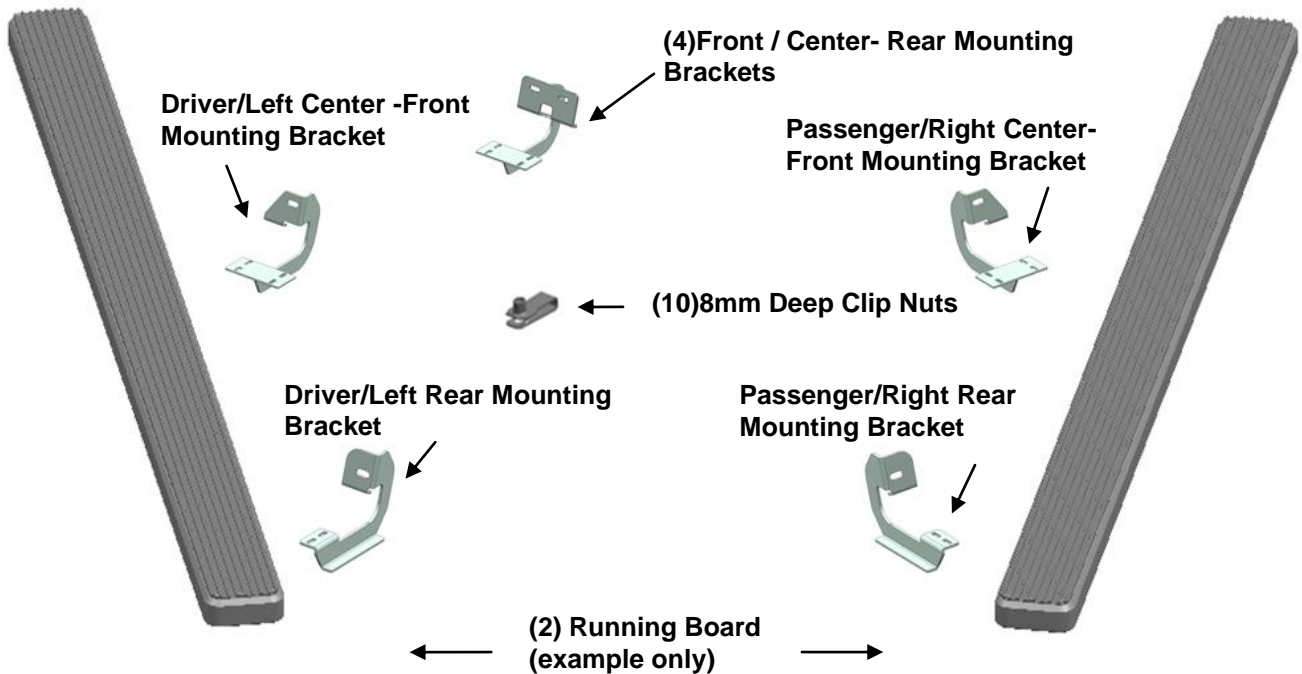


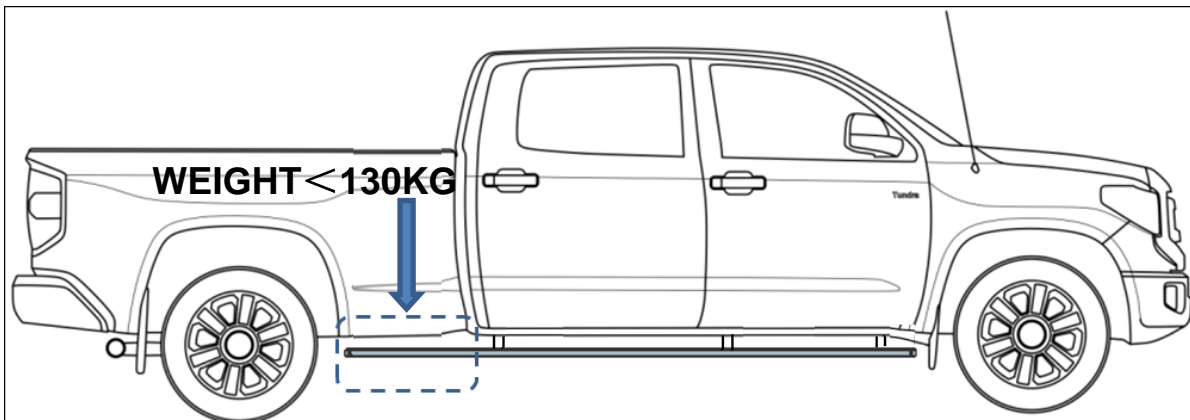
PARTS LIST:

Item	QTY	Description	Item	QTY	Description
#1	2	Running Board(use for left or right)	#11	10	8-1.25mm x 30mm Hex Bolts
#2	4	Front / Center- Rear Mounting Brackets	#12	12	8-1.25mm x 25mm Hex Bolts
#3	1	Driver/Left Center- Front Mounting Bracket	#13	22	8mm Lock Washers
#4	1	Passenger/Right Center- Front Mounting Bracket	#14	24	8mm x 24mm OD x 2mm Flat Washers
#5	1	Driver/Left Rear Mounting Bracket	#15	10	8mm x 28mm OD x 3mm Flat Washers
#6	1	Passenger/Right Rear Mounting Bracket	#16	12	8mm Hex Nuts
#7	2	10-1.5mm x 30mm Hex Bolts	#17	28	6-1.0mm x 20mm T-Bolts
#8	4	10mm x 30mm x 2.5mm Flat Washers	#18	28	6mm x 22mm OD x 2mm Flat Washers
#9	2	10mm Nylon Lock Nuts	#19	28	6mm Lock Nuts
#10	10	8mm Clip Nuts			

Front ↑



IMPORTANT ALERT: FOR WHEEL TO WHEEL APPLICATION, WEIGHT TO THE REAR END AREA OF THE RUNNING BOARD BEHIND THE LAST BRACKET NEED TO LESS THEN 130KG.OVERWEIGHT IN THIS AREA MAYBE DAMAGE YOUR RUNNING BOARD.



PROCEDURE:

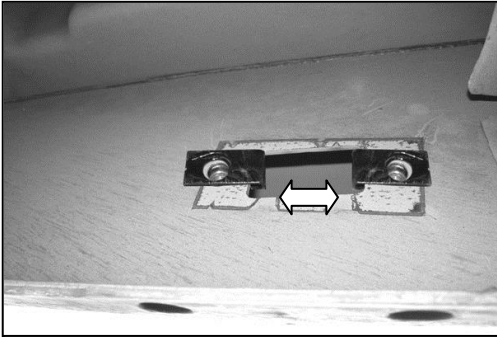
1. **REMOVE CONTENTS FROM BOX. VERIFY ALL PARTS ARE PRESENT. READ INSTRUCTIONS CAREFULLY BEFORE STARTING INSTALLATION. DRILLING MAY BE REQUIRED.**
2. Starting on the driver side of the vehicle, locate the (2) holes in the pinch weld to find the factory mounting holes in the inner side panel, **(Figure 1)**. **NOTE:** The inner holes may be covered with sealing tape or insulation.
3. Slide the 8mm Clip Nuts into the rectangular opening with the nut towards the inside. Line up the threaded nut on the clip with the round holes on each side of the opening, **(Figure 1)**.
4. Select the front Bracket, Attach the Bracket to the (2) Clip Nuts with the included (2) 8mm x 30mm Hex Bolts, (2) 8mm Lock Washers and (2) 8mm x 28mm Large Flat Washers, **(Figures 2 & 3)**. Depending on model and year, the brake cable may be run on the inside or outside of the Bracket. Do not tighten hardware at this time. **NOTE:** The cradle on the front Bracket should face to the rear of the vehicle.
5. Align the bottom holes in the front Bracket with the (2) holes in the pinch weld. Bolt the Bracket to the pinch weld using the included (2) 8mm x 25mm Hex Bolts, (4) 8mm STD Flat Washers, (2) 8mm Lock Washers and (2) 8mm Hex Nuts, **(Figures 2 & 3)**. **NOTE:** Insert the bolts up from the bottom of the pinch weld and through the Bracket.
6. Next, move toward the center of the vehicle. Locate the (2) holes in the pinch weld similar to the front location, Insert (1) 8mm Clip Nut into the rectangular opening and up to the single small round hole in the body panel, **(Figure 4)**.
7. Select the driver side Center- Front Mounting Bracket. **(Figure 5)**. Attach the Bracket to the Clip Nut with (1) 8mm x 30mm Hex Bolt, (1) 8mm Lock Washer and (1) 8mm x 28mm Large Flat Washer, **(Figures 6 & 7)**. Line up the hole in the Bracket with the hole in the pinch weld. Bolt the Bracket to the pinch weld with (1) 8mm x 25mm Hex Bolt, (2) 8mm STD Flat Washers, (1) 8mm Lock Washer and (1) 8mm Hex Nut. Do not tighten hardware at this time. **NOTE:** The cradle on the center mounting Bracket will face the front of the vehicle.
8. Repeat **Steps 2 – 5** for the driver side Center- Rear Mounting Bracket installation. **NOTE:** The cradle on the Rear-Center Bracket should face the front of the vehicle, **(Figure 1)**. The mounting holes will be the last pair in the pinch weld towards the rear of the cab. Do not tighten hardware at this time.
9. Next, move to the very end of the cab and locate the round hole in the bottom corner of the body panel, **(Figure 8)**. Select the driver side Rear Bracket, **(Figure 9B)**. Bolt the Rear Bracket to the mounting hole with (1) 10mm x 30mm Hex Bolt, (2) 10mm Flat Washers and (1) 10mm Nylon Lock Nut, **(Figures 9A)**. Do not tighten hardware at this time.
 - a. **Optional Drilling:** The Rear Bracket has an additional hole on the bottom of the plate where the Bracket rests on the pinch weld. Use the Bracket as a guide and drill a 3/8" hole through the Bracket and pinch weld, **(Figure 10)**. Bolt the Bracket to the pinch weld with (1) 8mm x 25mm Hex Bolt, (1) 8mm Lock Washer, (2) 8mm STD Flat Washers and (1) 8mm Hex Nut. Do not tighten hardware at this time.
10. Select a Running Board. Slip(14)6mm T-bolts into each bottom channel**(Figure 11)**. Carefully position the Running Board onto the (4) Mounting Brackets. **IMPORTANT:** Do not slide, (front to back), the Running Board on the Brackets or damage to the finish may result. Attach the Running Board to the Front& Center Mounting Brackets with(4) 6mm T-bolts,(4)6mm flat washers and (4)6mm lock nuts, to Rear bracket with (2) 6mm T-bolts,(2)6mm flat washers and (2)6mm lock nuts **(Figure 12&13)**. Do not tighten hardware at this time.
11. Level and adjust the Running Board and fully tighten all hardware.
12. Repeat **Steps 2—11** for passenger Running Board installation.
13. Do periodic inspections to the installation to make sure that all hardware is secure and tight.

To protect your investment, wax this product after installing. Regular waxing is recommended to add a protective layer over the finish. Do not use any type of polish or wax that may contain abrasives that could damage the finish.

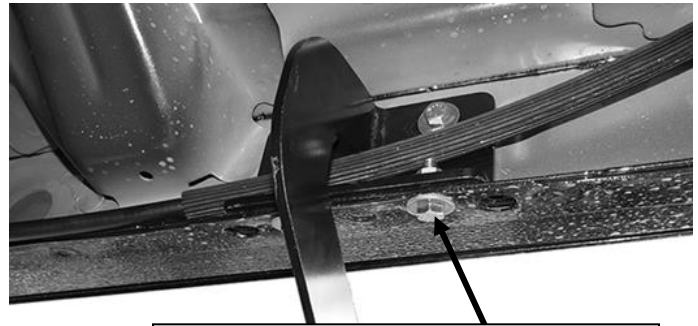
For Polished Finishes: Aluminum polish may be used to polish small scratches and scuffs on the finish. Mild soap may be used also to clean the Running Board.

For Black Finishes: Mild soap may be used to clean the Running Board.

Driver Side Installation Pictured



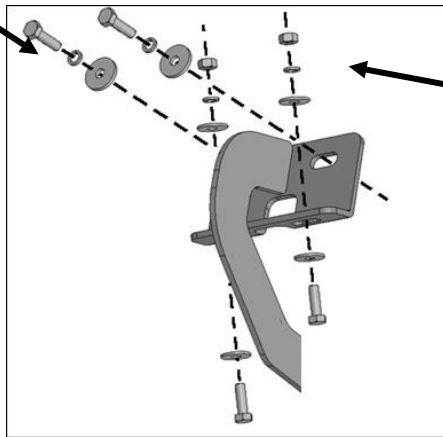
(Fig 1) Slide 8mm Clip Nuts over holes



- (2) 8mm x 30mm Hex Bolts
- (2) 8mm Lock Washers
- (2) 8mm x 28mm Large Flat Washers

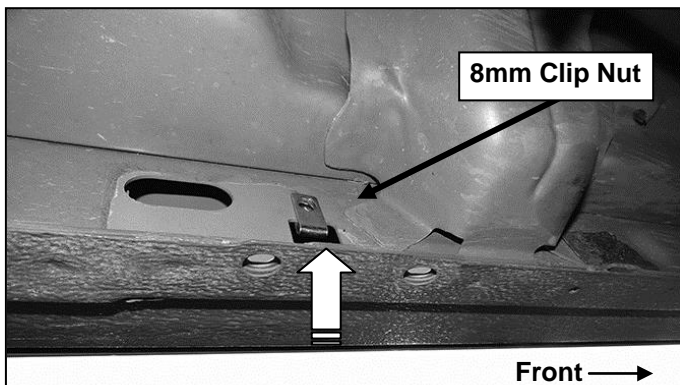
(Fig 2) Driver/left front mounting Bracket

- (2) 8mm x 30mm Hex Bolts
- (2) 8mm Lock Washers
- (2) 8mm x 28mm Large Flat Washers

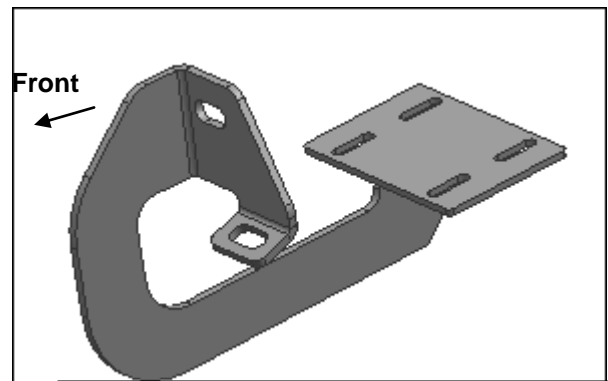


- (2) 8mm x 25mm Hex Bolts
- (4) 8mm STD Flat Washers
- (2) 8mm Lock Washers
- (2) 8mm Hex Nuts

(Fig 3) Driver/left front mounting Bracket



(Fig 4) Driver/left center- front mounting location

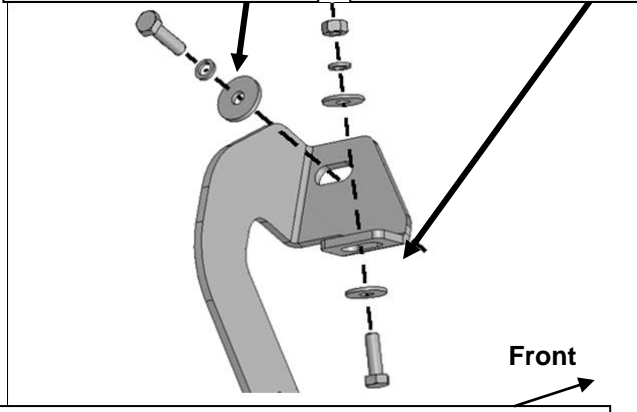


(Fig 5) Driver/left center- front Bracket

8mm x 30mm Hex Bolt
 8mm Lock Washer
 8mm x 28mm Large Flat Washer

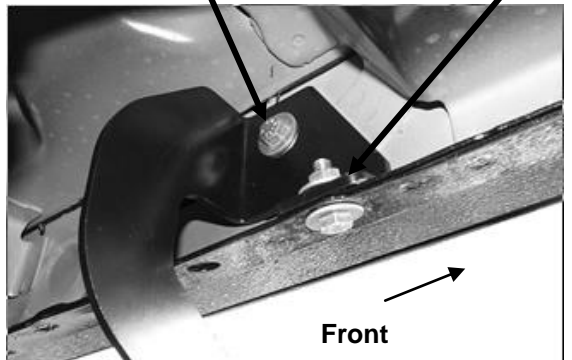
8mm x 25mm Hex Bolt
 (2) 8mm STD Flat Washers
 8mm Lock Washer
 8mm Hex Nut

8mm x 30mm Hex Bolt
 8mm Lock Washer
 8mm x 28mm Large Flat Washer

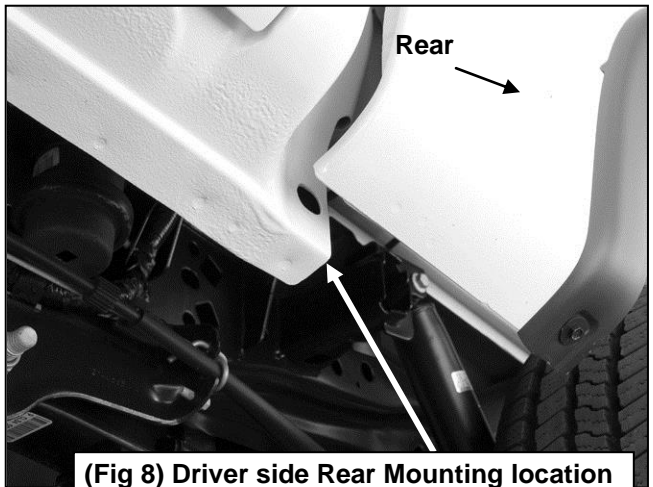


(Fig6) Driver/left center- front Bracket installed

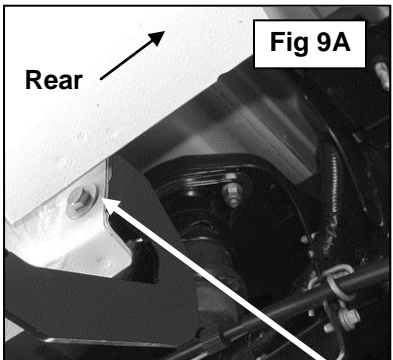
8mm x 25mm Hex Bolt
 (2) 8mm STD Flat Washers
 8mm Lock Washer
 8mm Hex Nut



(Fig 7) Driver/left center- front Bracket installed



(Fig 8) Driver side Rear Mounting location



10mm x 30mm Hex Bolt
 (2) 10mm Flat Washers
 10mm Nylon Lock Nut

Fig 9A

Driver side Rear Mounting Bracket

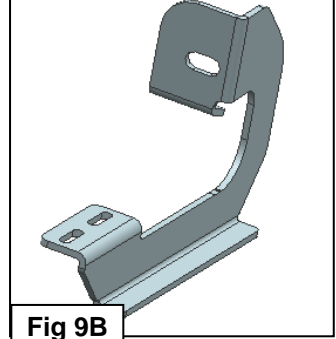


Fig 9B

OPTIONAL: Carefully drill 3/8" hole from backside through Bracket and rocker panel

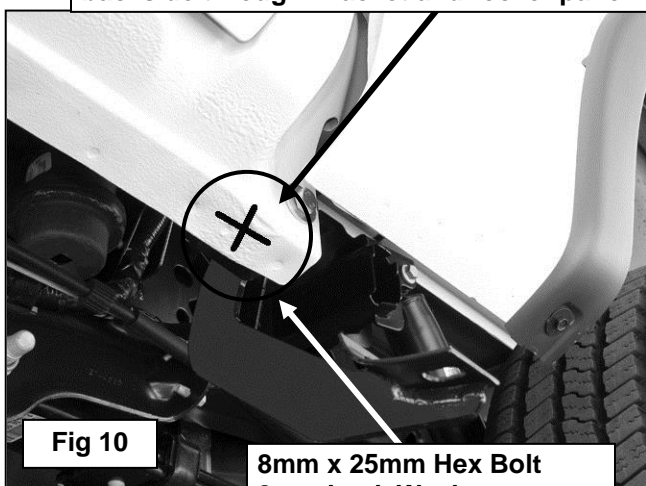


Fig 10

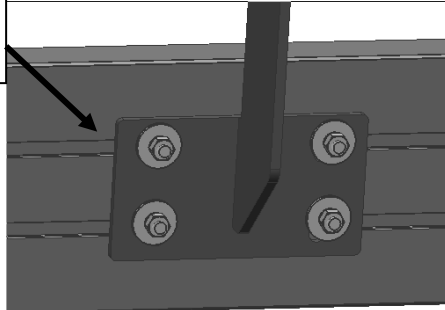
8mm x 25mm Hex Bolt
 8mm Lock Washer
 8mm STD Flat Washers
 8mm Hex Nut



(Fig 11) Slip 6mm T-bolts into the bottom channel

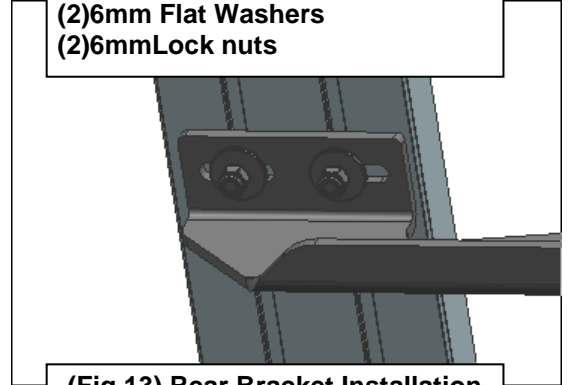
Driver Side Installation Pictured

(4)6mmT-bolts
(4)6mm Flat Washers
(4)6mmLock nuts



(Fig 12) Drive side Front/Center Bracket Installation

(2)6mmT-bolts
(2)6mm Flat Washers
(2)6mmLock nuts



(Fig 13) Rear Bracket Installation