



iRunning Board Installation Instruction

Part#: IB06RJA0

Application: For 1999-2016 Ford F-250/F-350/F-450/F-550 Super Duty Regular Cab

PARTS LIST:

Item	Part Name	QTY	Item	Part Name	QTY
1	STEP BOARD(Driver+Passenger)	4	6	M8 Clip Nut	2
2	Main Bracket	4	7	ST6x22 Self Tapping Screw	2
3	M8X1.25-25mm Hex Bolt	6	8	M6 Square Hex Bolt	8
4	M8 Flat Washers	12	9	M6 Flat Washers	8
5	M8X1.25mm Nylon Lock Nuts	6	10	M6 Nylon Lock Nuts	8



Step	Description
1	Remove contents from box and check for damage. Verify all parts are present. Read and understand instructions before beginning.
2	Attach front mounting brackets as shown. Hand tighten (See Figure 1 & 2) .
3	Install nut clips as shown (See Figure 3) .
4	Attach mounting brackets as shown. Hand tighten. (See Figure 4 & 5) .
5	Insert square head bolts as shown (4 per slot, 8 per Step board/Running board) (See Figure 6) .
6	Attach Step board to brackets as shown. (SEE FIGURE 7) .Make sure step board and brackets are properly aligned and tighten fasteners.
7	Repeat Installation for passenger side.
8	INSTALLATION IS COMPLETE, SEE FIGURE 8.

To protect your investment, wax this product after installing. Regular waxing is recommended to add a protective layer over the finish. Do not use any type of polish or wax that may contain abrasives that could damage the finish.

For Polished Finishes: Aluminum polish may be used to polish small scratches and scuffs on the finish. Mild soap may be used also to clean the Running Board.

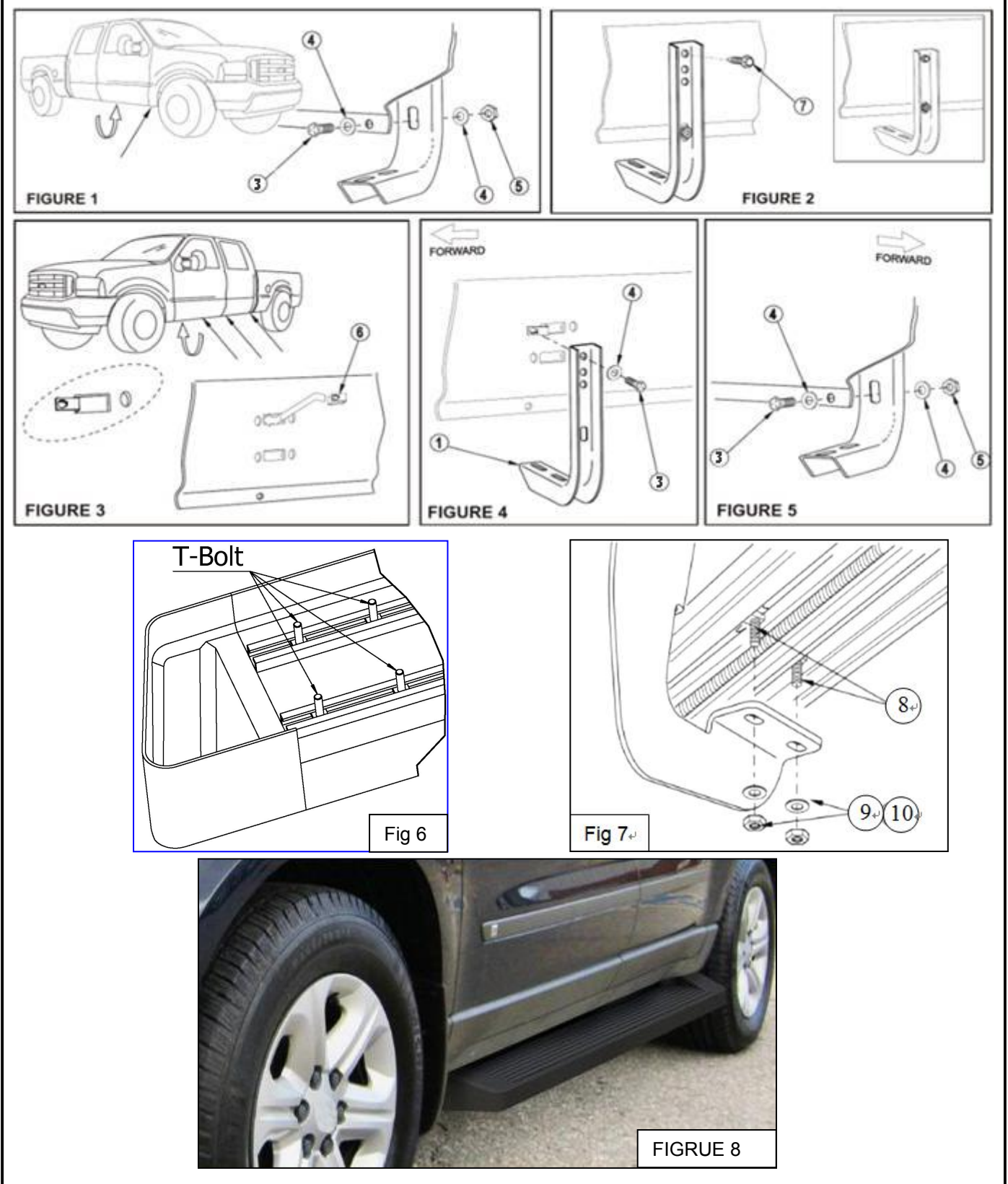
For black finishes: Mild soap may be used to clean the Running Board.

The instruction here is for your reference only. We strongly recommend the professional installer for best result. We are not responsible for any damage caused by the installation. Thank you for choosing our product!

iRunning Board Installation Instruction

Part#: IB06RJA0

Application: For 1999-2016 Ford F-250/F-350/F-450/F-550 Super Duty Regular Cab



The instruction here is for your reference only. We strongly recommend the professional installer for best result. We are not responsible for any damage caused by the installation. Thank you for choosing our product!