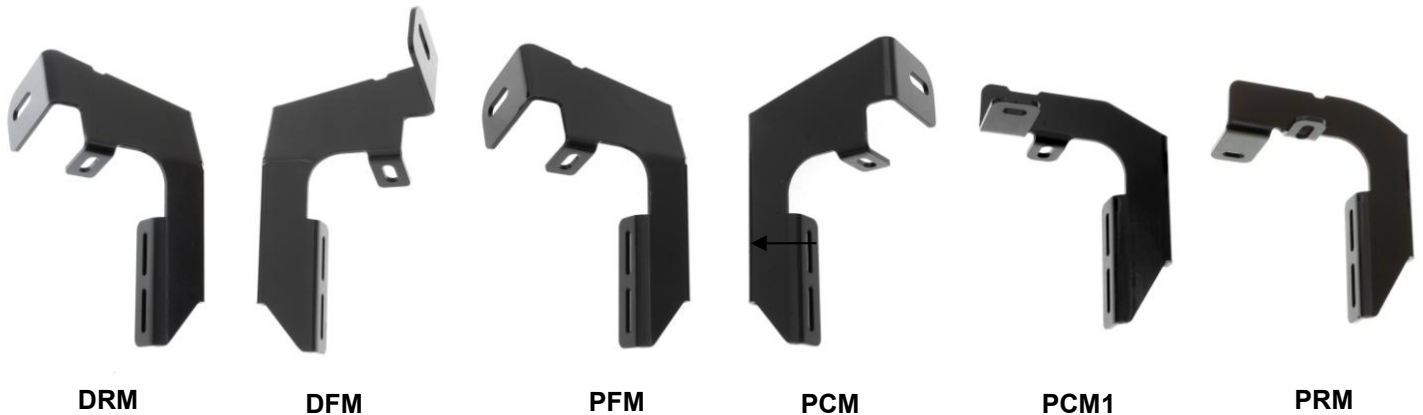


iRunning Board Installation Instruction

Application: For 1999-2014 FORD ECONOLINE VAN (FULL SIZE)

PARTS LIST:

1	Driver/Left Side Running Board	2	M10 Lock Washers
1	Passenger/Right Side Running Board	2	M10 Hex Nuts
1	Driver/Left Side Front Bracket(DFM)	1	8mm Insert Tool
1	Driver/Left Side Rear Bracket(DRM)	3	M8X1.25 Inserts
1	Passenger/Right Side Front Bracket(PFM)	10	M8X1.25 Clip-Nuts
1	Passenger Side Center #2 Bracket(PCM)	1	M8X1.25 - 40mm Hex Bolt
1	Passenger Side Center #3 Bracket(PCM1)	10	M8X1.25 -25mm Hex Bolts
2	Passenger Side #4 & #5 Rear Brackets(PRM)	11	M8 Flat Washers
2	M12X1.75- 40mm Bolt Plates	10	M8 Lock Washers
2	M10X1.5- 35mm Bolt Plates	1	M8 Hex Nut
2	M12 Flat Washers	14	M6 T-Bolts
2	M12 Lock Washers	14	M6 Flat Washers
2	M12 Hex Nuts	14	M6 Nylon Lock Nuts
2	M10 Flat Washers		



PROCEDURE:

REMOVE CONTENTS FROM BOX. VERIFY ALL PARTS ARE PRESENT. READ INSTRUCTIONS CAREFULLY BEFORE STARTING INSTALLATION. DRILLING IS REQUIRED ON 99-03 MODELS. MINOR DRILLING MAY BE REQUIRED ON ALL MODELS IF BODY PANELS DO NOT LINE UP PROPERLY.

1. Start the installation under the driver side of the vehicle. Locate and remove the rubber plug near the front tire opening, **(Figure 1)**. Select (1) 10mm Bolt Plate, **(Figure 2)**. Insert the Bolt Plate into and across the opening, **(Figures 3 and 13)**.
2. Select the driver side front Mounting Bracket, **(Figure 4)**. Attach the Bracket to the Bolt Plate with (1) 10mm Flat Washer, (1) 10mm Lock Washer and (1) 10mm Hex Nut, **(Figure 5)**. Leave hardware loose.
3. Line up the mounting tab on the Bracket with the factory hole in the pinch weld. Slide (1) 8mm Clip Nut over the hole in the pinch weld with the nut toward the outside of the vehicle, **(Figure 3)**.

IMPORTANT: On some model/years, 5/16" holes will need to be drilled through the pinch weld to attach the tab on the Mounting Bracket to the pinch weld.

- a. Line up the tab on the Bracket with a flat area on the back of the pinch weld.
- b. Fully tighten the 10mm Hex Nut on the Bolt Plate. Use the tab on the Bracket for a guide and drill a 5/16" hole through the tab and the pinch weld.

IMPORTANT! Any cutting or drilling tool may break or shatter. Government regulations require safety glasses & equipment at all times when cutting or drilling.

- c. Slide (1) 8mm Clip Nut over the hole in the pinch weld with the nut toward the outside.
4. Attach the mounting tab on the Bracket to the 8mm Clip Nut with (1) 8mm x 25mm Hex Bolt, (1) 8mm Lock Washer and (1) 8mm Flat Washer, **(Figure 5)**. Snug but do not fully tighten the hardware.

iRunning Board Installation Instruction

Application: For 1999-2014 FORD ECONOLINE VAN (FULL SIZE)

5. Move along the bottom of the body to the rear bracket location, (**Figure 7**). Locate and remove the large oval rubber plug. Insert (1) 12mm Bolt Plate into the opening, (**Figures 6 & 7**).
6. Attach the driver side rear Bracket to the Bolt Plate with (1) 12mm Flat Washer, (1) 12mm Lock Washer and (1) 12mm Hex Nut, (**Figures 8 & 9**). Repeat the appropriate **Steps 3 & 4** to attach the mounting tab on the Bracket to the back of the pinch weld.
7. Select the short driver/left Running Board. Place the Running Board on top of the Brackets. Locate the channels in the bottom of the Running Board. Select (4) 6mm T-Bolts, (**Figure 10**). Insert the T-Bolts into the channels in the bottom of the Running Board closest to the Brackets, (**Figure 11**). Lift the Running Board up and guide the studs down through the Brackets. Attach the Running Board to the Brackets with (4) 6mm Flat Washers, (4) 6mm Nylon Lock Nuts, (**Figure 12**). **NOTE:** The Running Board is designed to fit close to the vehicle. It may be necessary to loosen the Bracket hardware and tilt the Brackets downward to insert the Running Board between the Brackets and the body. Do not tighten hardware at this time.
8. Level and adjust the Running Board forward or backward as desired and fully tighten all hardware. **NOTE:** Typical installation is with front of Board 2—3" back from front tire opening.
9. Move to the passenger side of the vehicle. Locate the rubber plug near the front tire opening, (**Figure 13**). Repeat **Steps 1—4** to install the passenger side Front Bracket, (**Figures 14 & 15**).
10. Continue along the body to the #2 Mounting Bracket location, (**Figure 16**). Repeat **Steps 5 & 6** to install the passenger side #2 Bracket, (**Figures 17 & 18**).
11. Move along the body to the #3 Bracket location below the side door, (**Figures 19 & 27**). Determine the correct procedure for your year/model for the remaining (3) passenger side Brackets:

Models with factory holes in pinch weld and inner body panel:

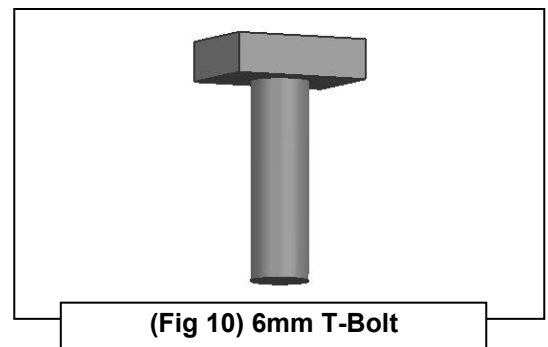
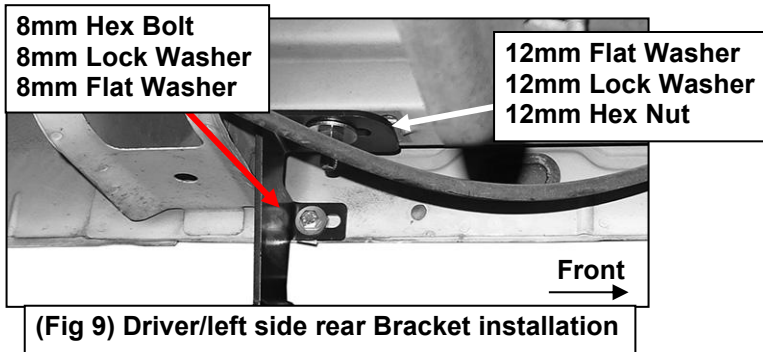
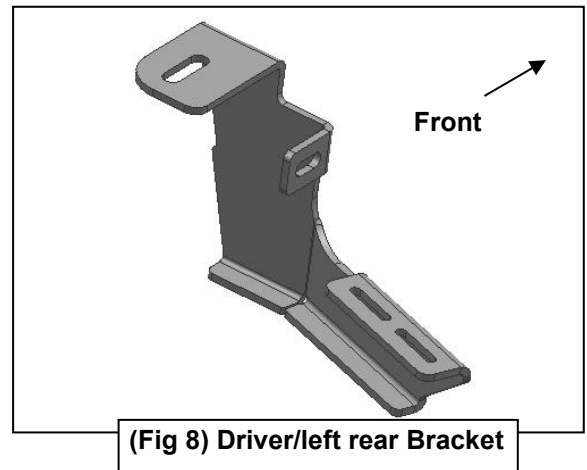
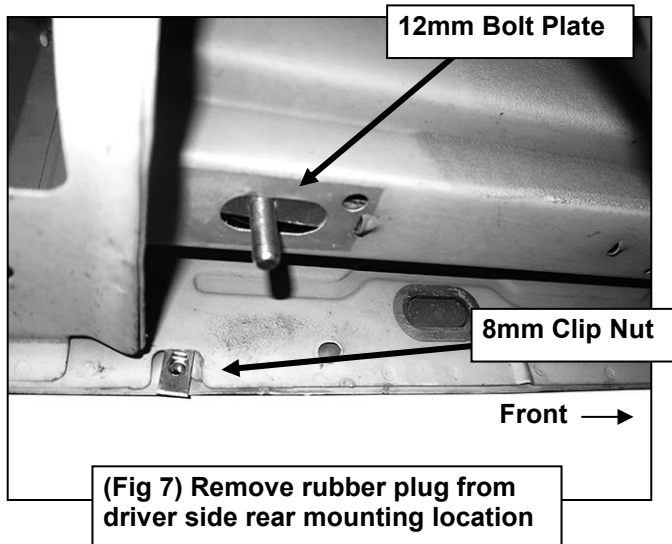
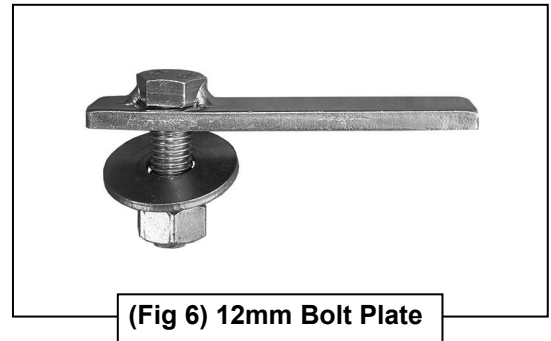
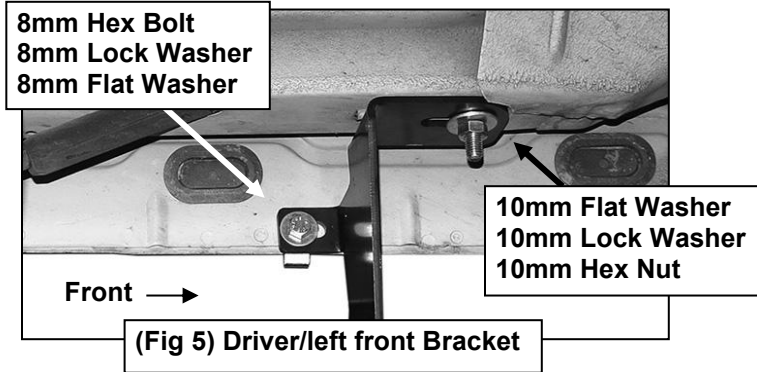
- a. Locate the factory hole in the pinch weld. Also locate the square hole and small round hole in the inner body panel near and above the hole in the pinch weld, (**Figure 19**). **NOTE:** Hold the appropriate Mounting Bracket up in each location to help determine the correct holes to use.
- b. Slide (1) 8mm Clip Nut into the square hole and in line with the smaller round hole. Next, slide (1) 8mm Clip Nut over the hole through the pinch weld as described in **Step 3**, (**Figure 19**).
- c. Select the passenger side #3 Mounting Bracket, (**Figure 20**). Attach the Bracket to the (2) Clip Nuts with (2) 8mm x 25mm Hex Bolts, (2) 8mm Lock Washers and (2) 8mm Flat Washers, (**Figure 21**). Do not fully tighten hardware at this time.
- d. Repeat **Steps a—c** to install the #4, (**Figure 22—24**), and #5 rear, (**Figure 25**), Brackets, (#4 and #5 locations use the same Bracket).
- e. Skip to **Step 12**.

Models without factory holes in the pinch weld and/or inner body panel:

- a. Repeat **Step 7** to attach the Running Board to the front and #2 Mounting Brackets, (**Figure 26**).
- b. Use a stand or a jack to hold the Running Board up and level with the front (2) Brackets.
- c. Select the #3 passenger side Bracket, (**Figure 20**). With the Running Board level to the vehicle, hold the Bracket up in position against the back of the pinch weld and body panel. Mark the location of the slots in the Bracket onto the sheet metal, (**Figure 27**). **NOTE:** Use a clamp or locking pliers to temporarily attach the Bracket to the pinch weld.
- d. Drill a 7/16" hole in the center of the mark for the top mounting tab. **IMPORTANT:** Make sure the Running Board is level to the vehicle before drilling any mounting holes.
- e. Select the 8mm Threaded Insert Tool, (1) 8mm x 40mm Hex Bolt, (1) 8mm Flat Washer and (1) 8mm Threaded Insert. Assemble the Insert as pictured in **Figure 30**.
- f. Firmly hold the handle and push the Insert into the hole. Use a small hammer to gently tap the insert into the hole if necessary. Once inserted, hold the handle with one hand and turn the 8mm Hex Bolt, (tighten), with a wrench to expand the insert in the body panel. Continue to tighten the hex bolt until the insert is fully compressed and close to flush with the surface. Remove bolt and tool from the insert, (**Figure 31**). **WARNING:** Do not overtighten the hex bolt or the insert may become damaged.
- g. Repeat **Step 3** to drill the 5/16" hole through the pinch weld as needed.

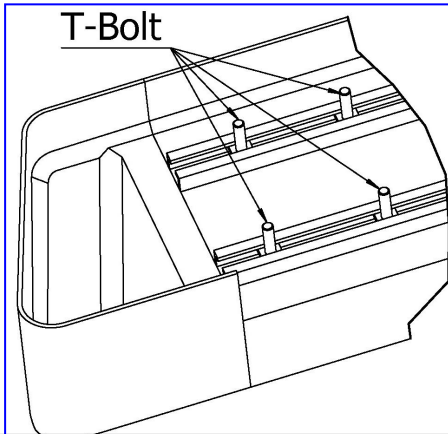
iRunning Board Installation Instruction

Application: For 1999-2014 FORD ECONOLINE VAN (FULL SIZE)

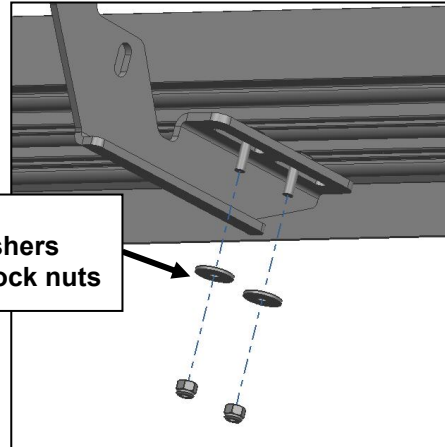


iRunning Board Installation Instruction

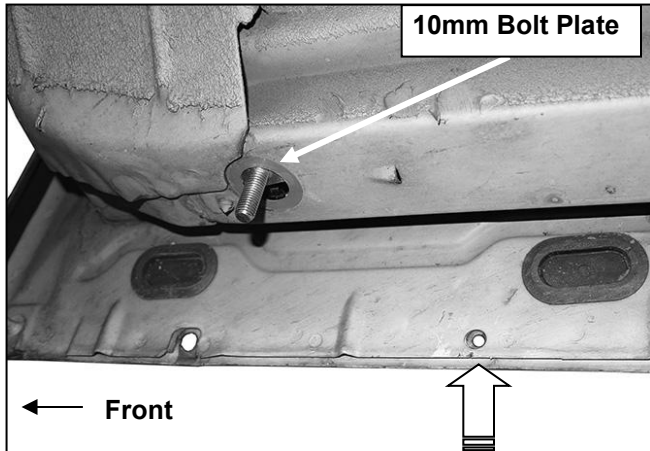
Application: For 1999-2014 FORD ECONOLINE VAN (FULL SIZE)
Driver/Left side installation pictured



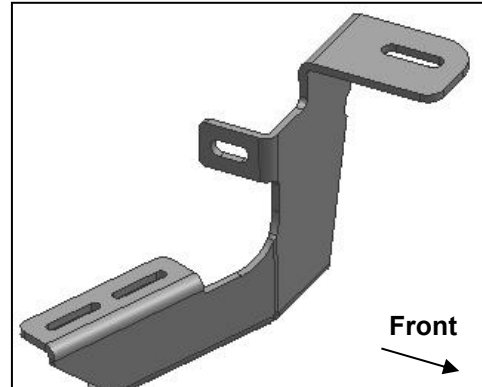
(Fig 11) Slide 6mm T-Bolts into the Running Board



(Fig 12) Attach Running Board to Brackets
(For example only)

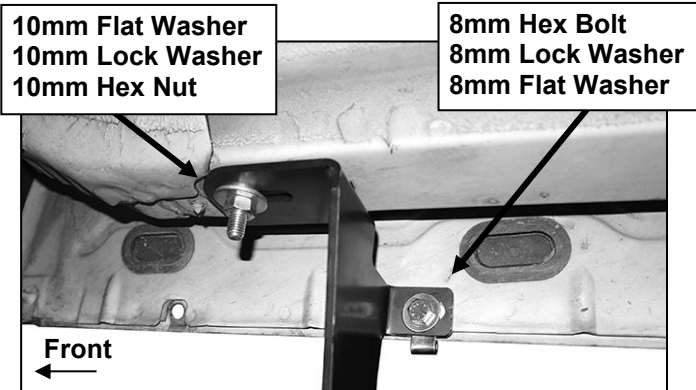


(Fig 13) Passenger/right front location pictured.
Slide 8mm Clip Nut over factory hole in pinch weld

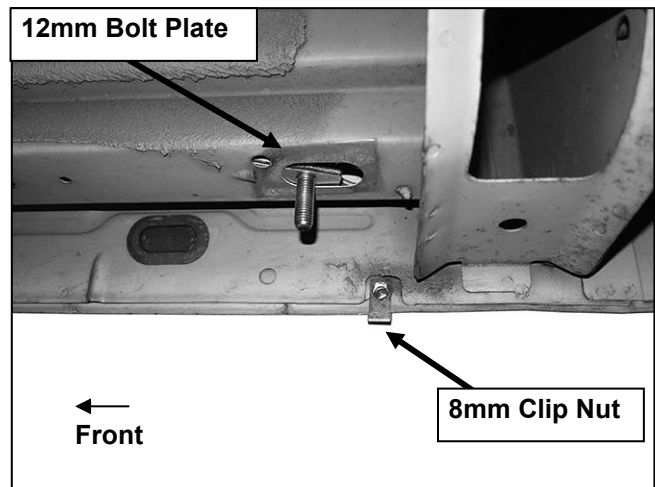


(Fig 14) Passenger/right front Bracket

Passenger/right side installation pictured



(Fig 15) Passenger/right front Bracket

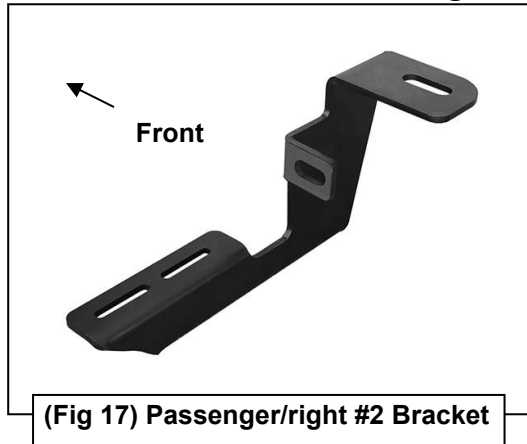


(Fig 16) passenger side #2 mounting location

iRunning Board Installation Instruction

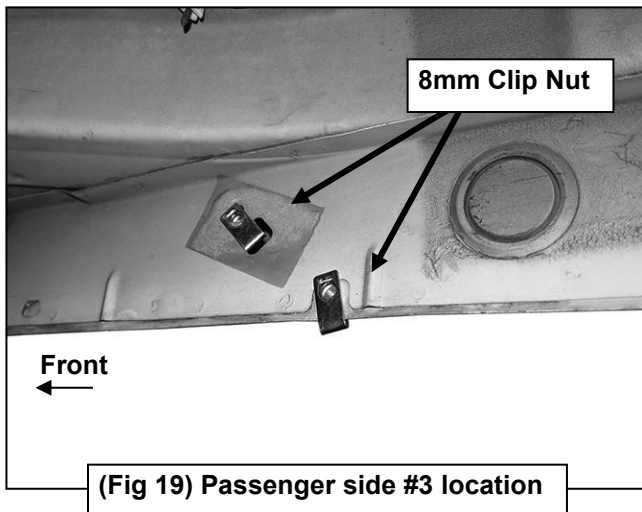
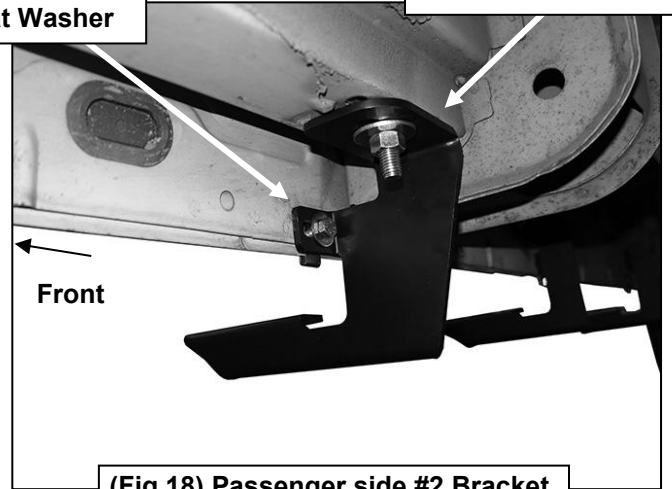
Application: For 1999-2014 FORD ECONOLINE VAN (FULL SIZE)

Passenger/right side installation pictured

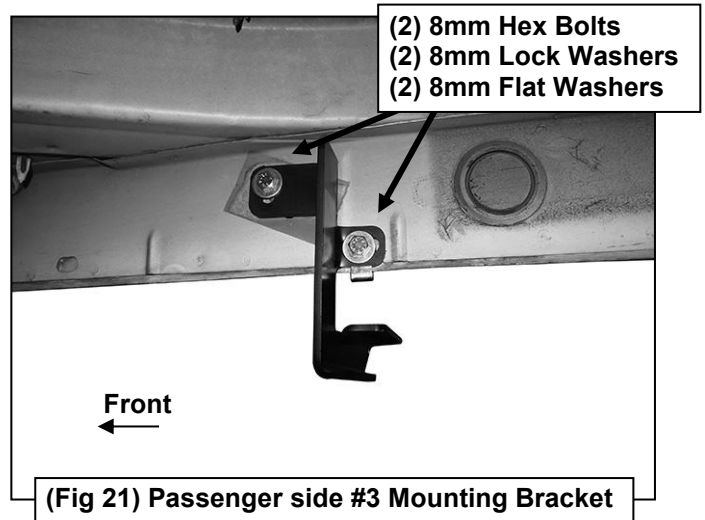
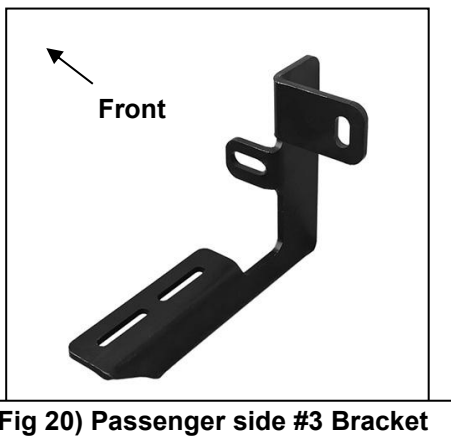


8mm Hex Bolt
8mm Lock Washer
8mm Flat Washer

12mm Flat Washer
12mm Lock Washer
12mm Hex Nut



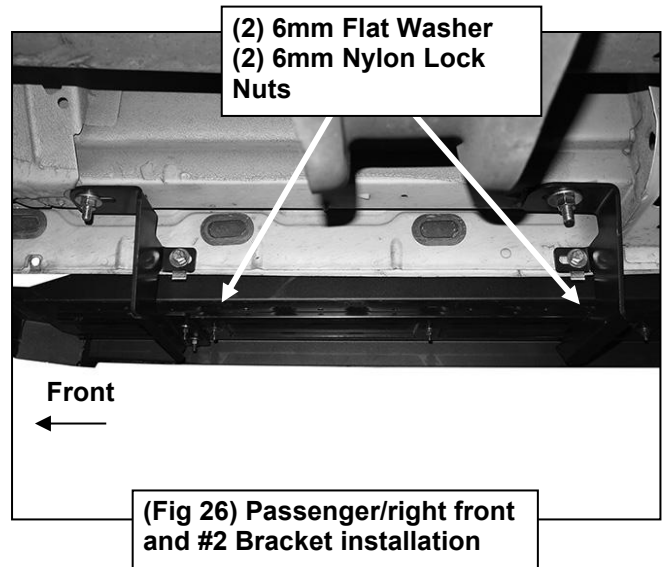
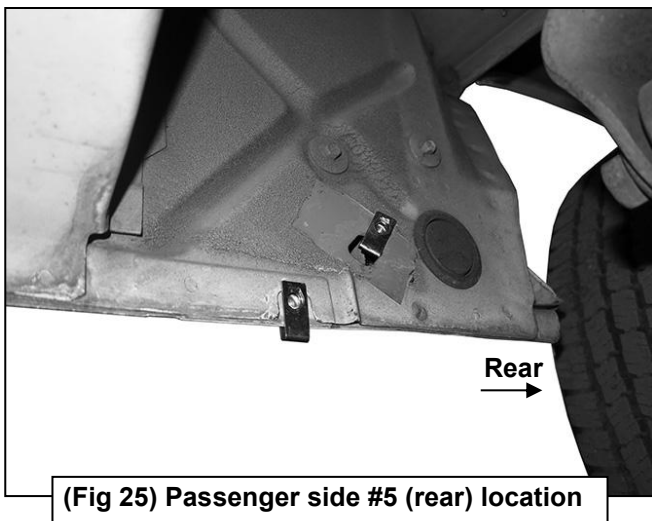
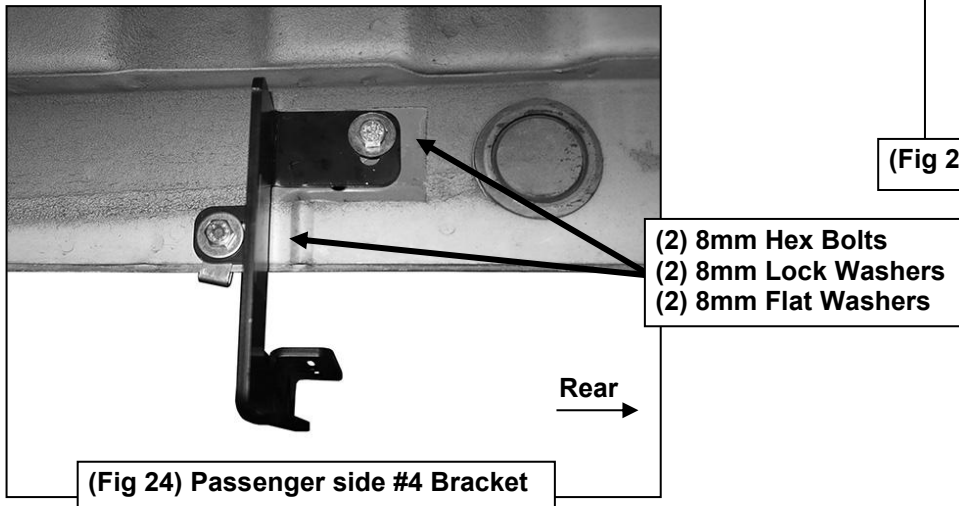
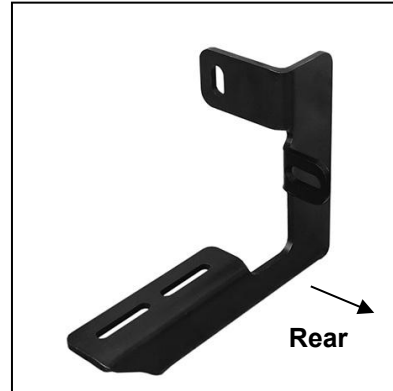
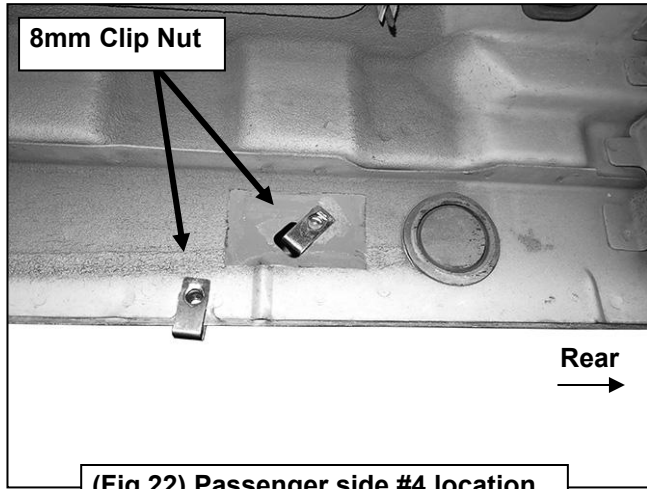
IMPORTANT: On some model/years, 5/16" holes will need to be drilled through the pinch weld (see above) to attach the tab on the Mounting Bracket to the pinch weld. Attach the Brackets to the Bolt Plates first, temporarily install the Running Board, and make sure Board is level then mark holes before drilling holes through pinch weld. Repeat for all Bracket installations



Passenger/right side installation pictured

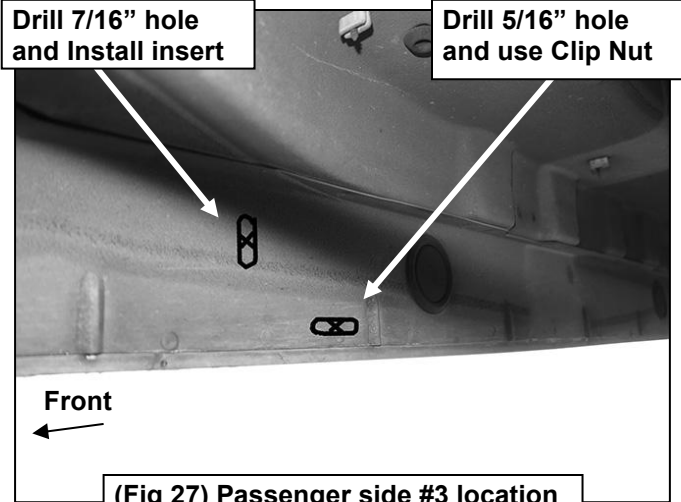
iRunning Board Installation Instruction

Application: For 1999-2014 FORD ECONOLINE VAN (FULL SIZE)

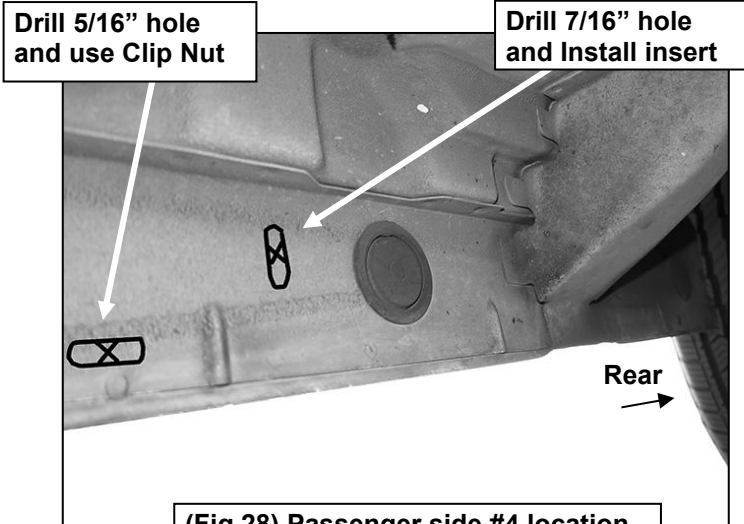


iRunning Board Installation Instruction

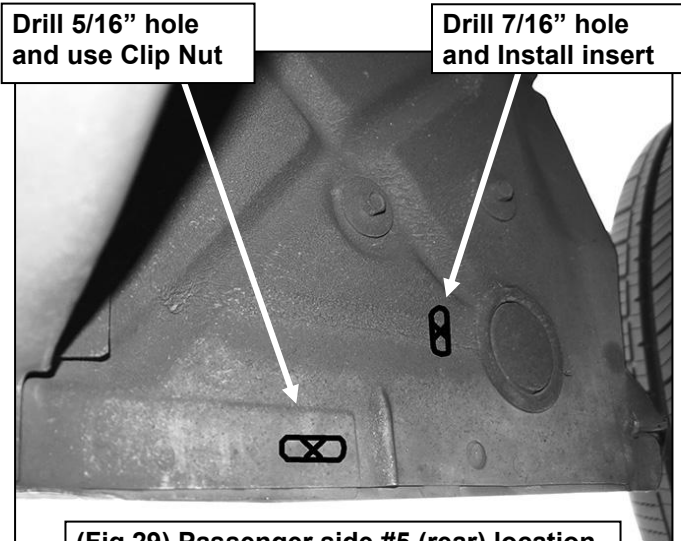
Application: For 1999-2014 FORD ECONOLINE VAN (FULL SIZE)
Passenger/right side installation pictured



(Fig 27) Passenger side #3 location

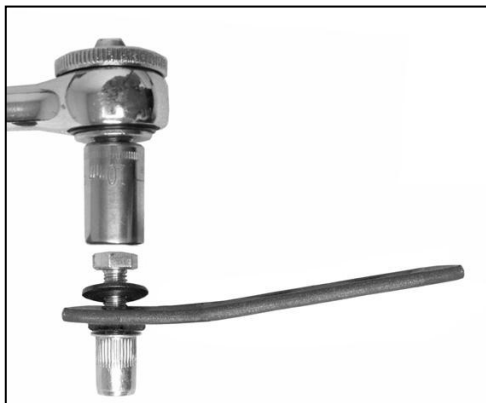


(Fig 28) Passenger side #4 location

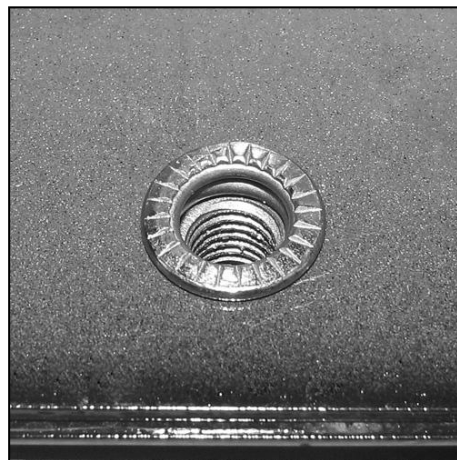


(Fig 29) Passenger side #5 (rear) location

IMPORTANT: On some model/years, 8mm Threaded Inserts will need to be installed in locations indicated by arrows, (Fig 27-29). Level Running Board. Hold Bracket up in position against side of body panel. Mark location of slots onto sheet metal. Drill (3) 7/16" holes as required for passenger side #3, #4 and #5 (rear) Brackets only. Assemble Insert Tool and install Inserts as described in Steps 11a-i, (Fig 30-31).



(Fig 30) Assemble Insert Tool as pictured. Turn wrench clockwise to pull/expand insert in hole



(Fig 31) Example fully installed Insert

iRunning Board Installation Instruction

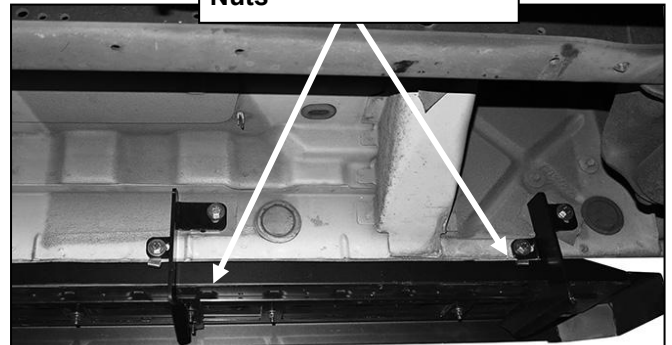
Application: For 1999-2014 FORD ECONOLINE VAN (FULL SIZE)



(2) 6mm Flat Washer
(2) 6mm Nylon Lock Nuts

Rear
→

(Fig 32) Passenger/right #3 Bracket installation
(For example only)



(2) 6mm Flat Washer
(2) 6mm Nylon Lock Nuts

Rear
→

(Fig 33) Passenger/right #4 and #5, (rear), Bracket installation pictured.
NOTE #4 and #5 Brackets are identical.
(For example only)