

iRunning Board Installation Instruction

Application: 2004-2014 Ford F-150 Super Cab (Excl. Heritage Edition)

Item	Part Name	QTY	Item	Part Name	QTY
1	STEP BOARD, PASSENGER	1	9	M8 LOCK WASHER	6
2	STEP BOARD,DRIVER	1	10	M6 NYLON LOCK NUT	12
3	FRONT/CENTER BRACKET (FB)	4	11	EXTRUDED U-NUT	6
4	REAR BRACKET, PASSENGER (PRB)	1	12	M10X1.5-25 HEX HEAD BOLT	8
5	REAR BRACKET,DRIVER (DRB)	1	13	M10 Flat Washer	16
6	M8 X25mm HEX HEAD BOLT	6	14	M10 LOCK WASHER	8
7	M6 SQUARE HEAD BOLT	12	15	M10 HEX NUT	8
8	M8 FLAT WASHER	6	16	M6 FLAT WASHER	12

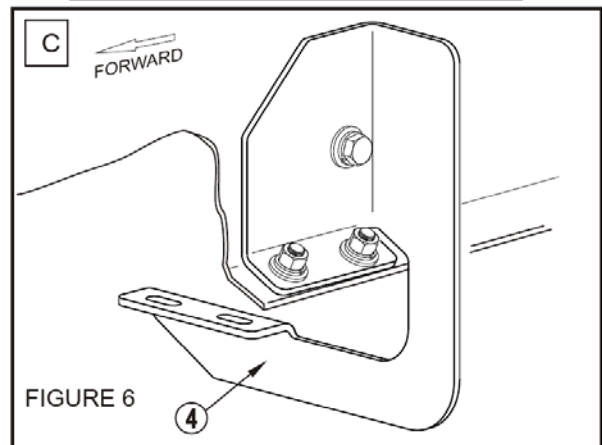
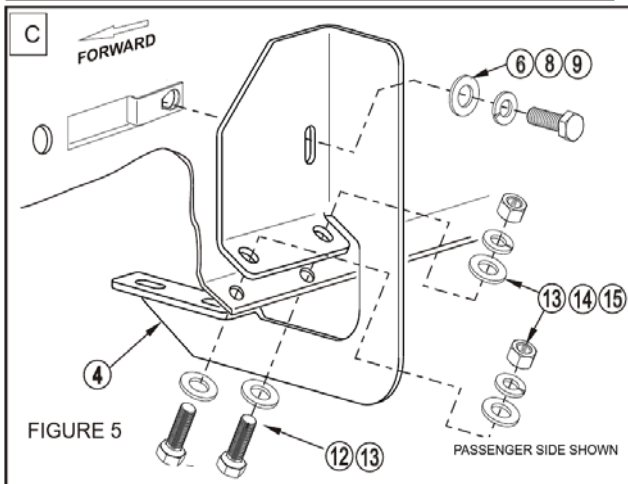
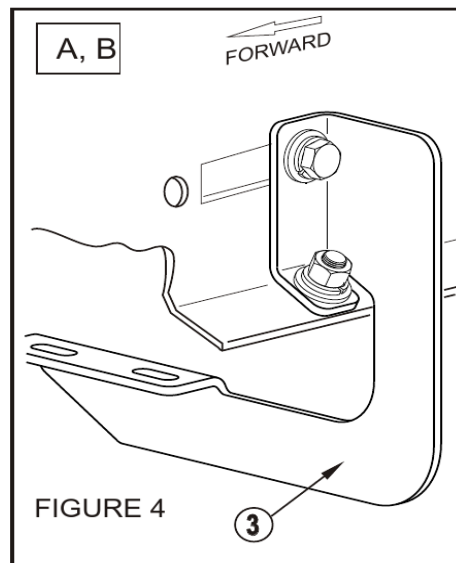
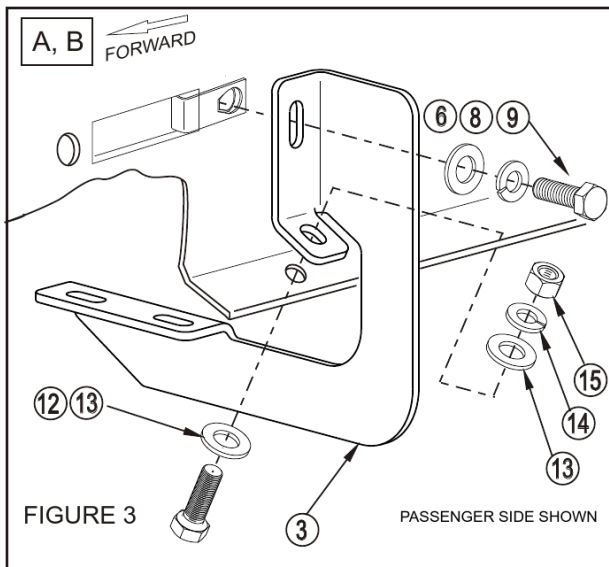
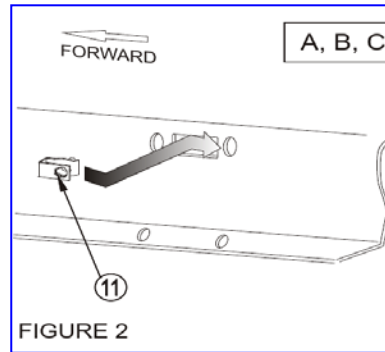
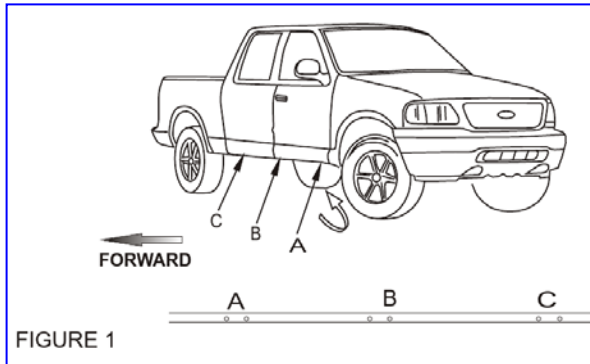


Step	Description
1	Remove contents from box and check for damage. Verify all parts are present. Read instructions completely before beginning.
2	Locate mounting locations as shown. SEE FIG 1.
3	Install u-nuts as shown. SEE FIG 2.
4	Attach mounting brackets as shown. Fingers tighten. SEE FIG 3-6
5	Insert square head bolts as shown (3 in each slot, 6 per board). SEE FIG 7.
7	Attach board to brackets. Make sure board and brackets are properly aligned and tighten fasteners. as shown on FIG 8.
8	Installation Completed.

The instruction here is for your reference only. We strongly recommend the professional installer for best result. We are not responsible for any damage caused by the installation. Thank you for choosing our product!

iRunning Board Installation Instruction

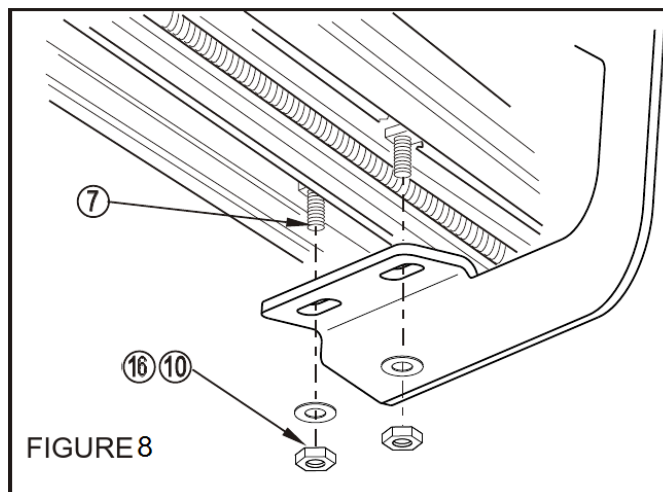
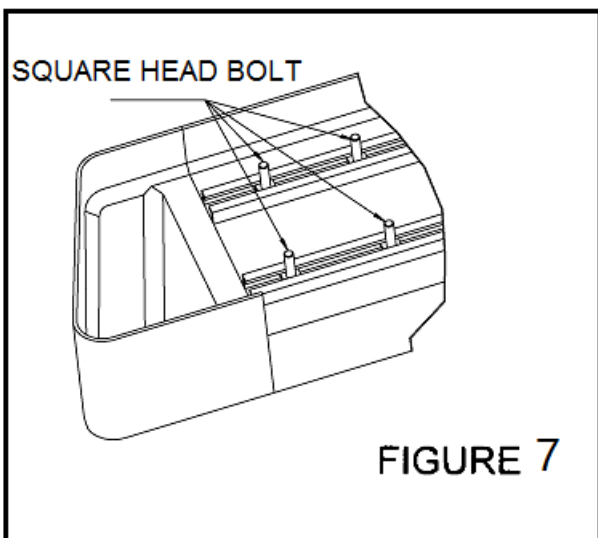
Application: 2004-2014 Ford F-150 Super Cab (Excl. Heritage Edition)



The instruction here is for your reference only. We strongly recommend the professional installer for best result. We are not responsible for any damage caused by the installation. Thank you for choosing our product!

iRunning Board Installation Instruction

Application: 2004-2014 Ford F-150 Super Cab (Excl. Heritage Edition)



The instruction here is for your reference only. We strongly recommend the professional installer for best result. We are not responsible for any damage caused by the installation. Thank you for choosing our product!