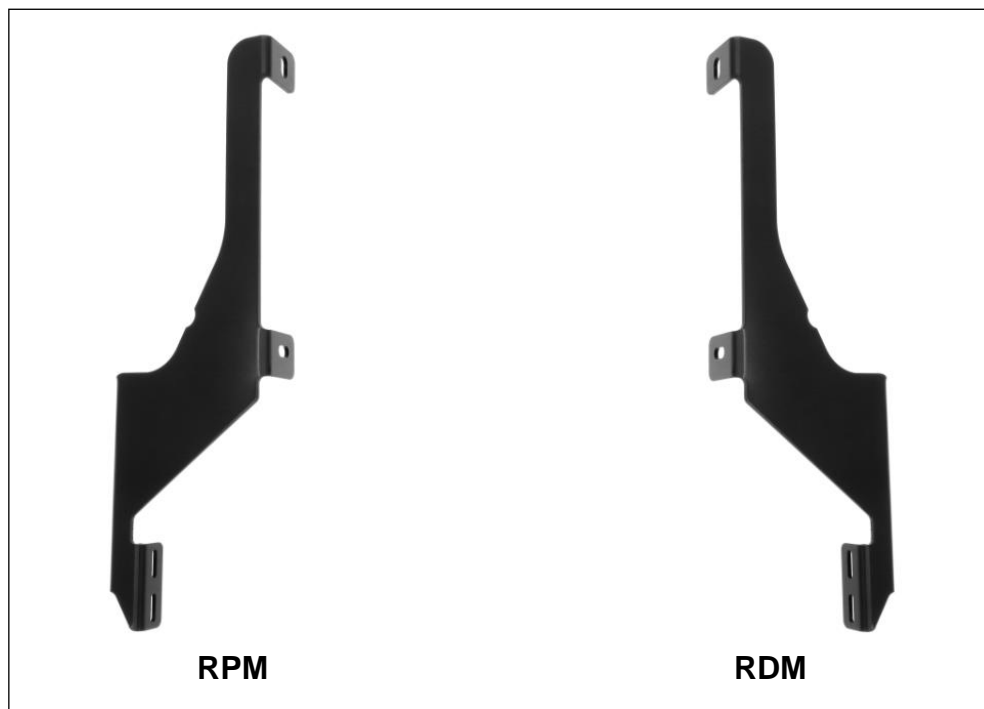




IB(6",5",4")REAR STEP
2015-2018 FORD TRANSIT VAN (FULL SIZE)

PARTS LIST:

Item	QTY	Description	Item	QTY	Description
#01	1	Rear Step	#09	2	M12 Lock Washers
#02	1	Driver/left Frame Mounting Bracket(RDM)	#10	2	M12 Hex Nuts
#03	1	Passenger/right Frame Mounting Bracket(RPM)	#11	2	M10 Flat Washers
#04	2	M12 x 35mm Bolt Plates	#12	2	M10 Lock Washers
#05	2	M10 x 40mm Bolt Plates	#13	2	M10 Hex Nuts
#06	2	12mm Plastic Retainer	#14	4	M6X1.0 Nylon Lock Nuts
#07	2	10mm Plastic Retainer	#15	4	M6X1.0 - 20mm T-Bolts
#08	2	M12 Flat Washers	#16	4	M6 Flat Washers



PROCEDURE:

REMOVE CONTENTS FROM BOX. VERIFY ALL PARTS ARE PRESENT. READ INSTRUCTIONS CAREFULLY BEFORE STARTING INSTALLATION. ASSISTANCE IS RECOMMENDED. LET EXHAUST COOL COMPLETELY BEFORE INSTALLATION.

1. Start the installation under the driver side, rear of the vehicle, **(Figure 1)**. Select (1) M12 Bolt Plate and (1) 12mm Plastic Retainer, **(Figure 2)**. Insert the Bolt Plate into the forward open end of the rear frame channel and out the first hole in the bottom of the channel, **(Figures 3 & 7)**. Thread the Retainer onto the Bolt Plate to help hold it in place.
2. Next, locate the oval hole in the rearward end of the frame channel closest to the rear bumper, **(Figure 4)**. Select (1) M10 Bolt Plate and (1) 10mm Plastic Retainer, **(Figure 5)**. Insert the Bolt Plate into the oval hole toward the front then thread the Retainer onto it to hold it in place, **(Figures 6 & 7)**.
3. Select (1) Frame Bracket. **NOTE:** On models without tow hitch, the Brackets can be used on either side. On models with tow hitch, select the Bracket that will install toward the outside of the vehicle as pictured above, **(Figure 8)**. Attach the Bracket to the forward M12 Bolt Plate with (1) M12 Flat Washer, (1) M12 Lock Washer and (1) M12 Hex Nut. Attach the Bracket to the 10mm Bolt Plate with (1) M10 Flat Washer, (1) M10 Lock washer and (1) M10 Hex Nut. **VERY IMPORTANT:** With the Bolt Plate hardware loose, pull the Bracket toward the rear, then fully tighten hardware.
4. Repeat **Steps 1—3** to install the passenger side Bracket.

5. Select the Rear Step. Slip (2)M6 T-bolts into each bottom channel (**Figure 9**). Carefully position the Rear Step onto the (1) Mounting Brackets. **IMPORTANT:** Do not slide, (front to back), the Rear Step on the Brackets or damage to the finish may result. Attach the Rear Step to Mounting Brackets with (2) M6 T-bolts, (2)M6 flat washers and (2)M6 nylon lock nuts (**Figure 10**). Do not tighten at this time.
6. Align and adjust the Rear Step as necessary and fully tighten all hardware. **NOTE: Torque all M6 nylon lock nuts to 7 lb-ft.**
7. Do periodic inspections of the installation to make sure that all hardware is secure and tight.

To protect your investment, wax this product after installing. Regular waxing is recommended to add a protective layer over the finish. Do not use any type of polish or wax that may contain abrasives that could damage the finish.

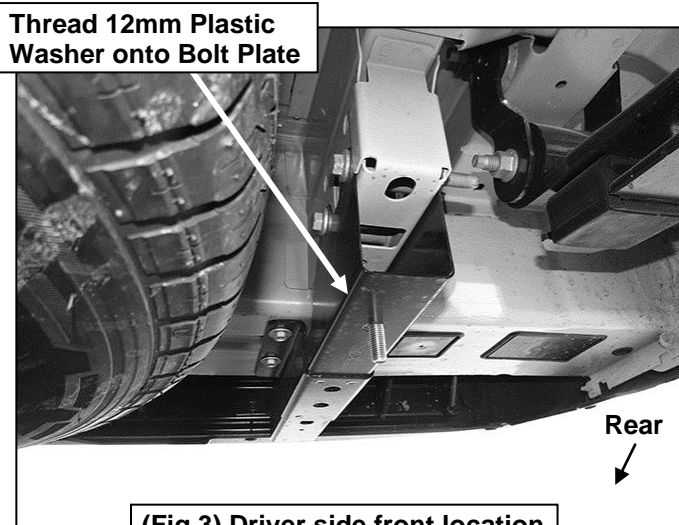
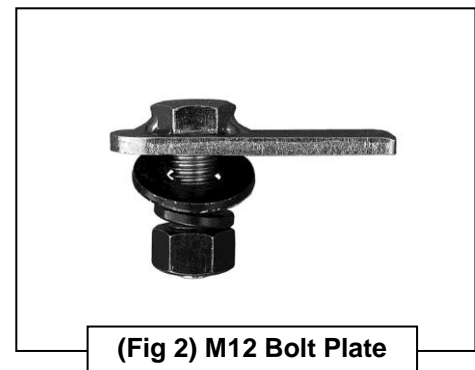
For Polished Finishes: Aluminum polish may be used to polish small scratches and scuffs on the finish. Mild soap may be used also to clean the Rear Step.

For Black Finishes: Mild soap may be used to clean the Rear Step.

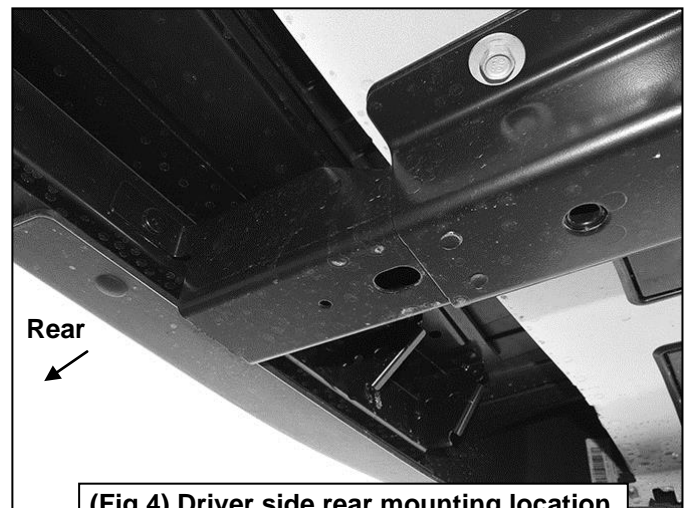
Driver/left Side Installation Pictured



(Fig 1) Driver side mounting location



(Fig 3) Driver side front location

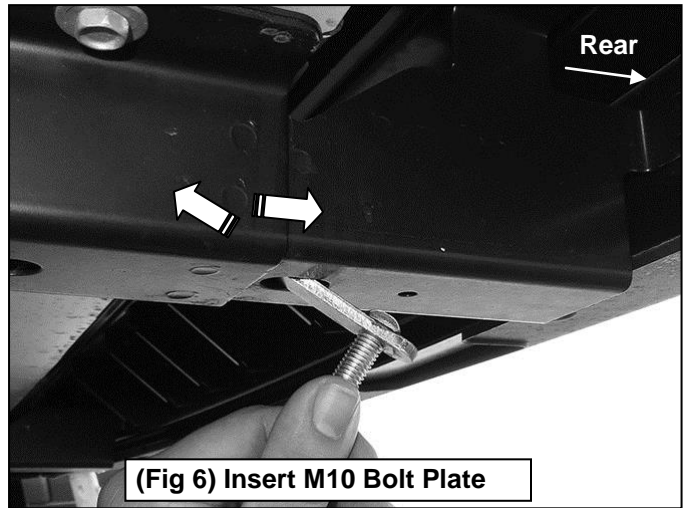


(Fig 4) Driver side rear mounting location

Driver/left Side Installation Pictured

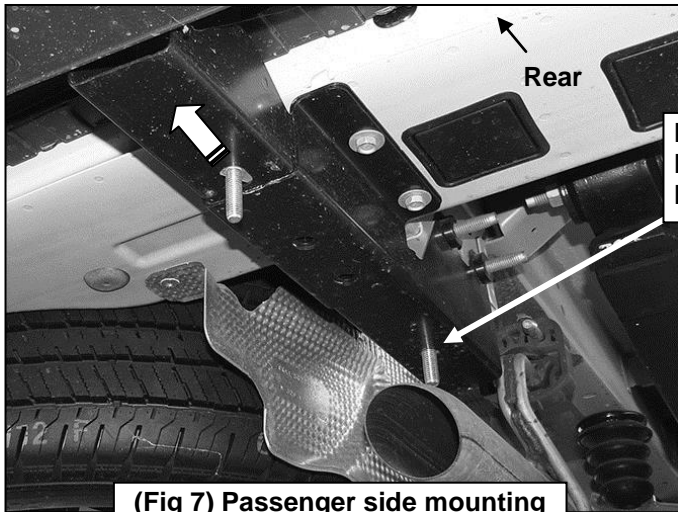


(Fig 5) M10 Low Profile Bolt Plate



(Fig 6) Insert M10 Bolt Plate

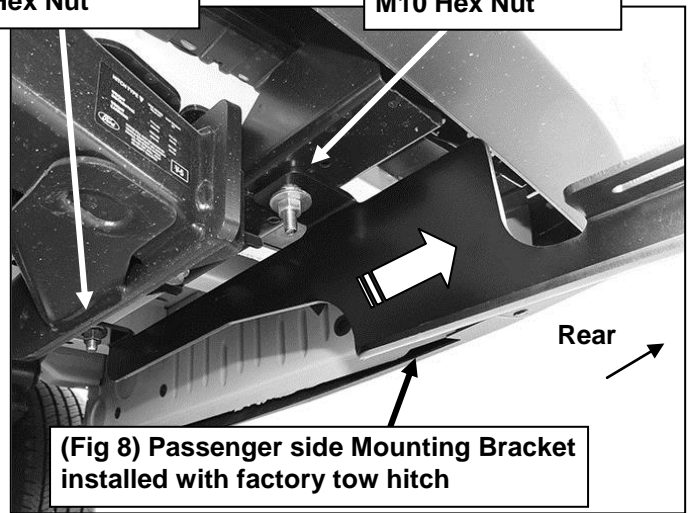
Passenger/right Side Installation Pictured



(Fig 7) Passenger side mounting location with Bolt Plates installed

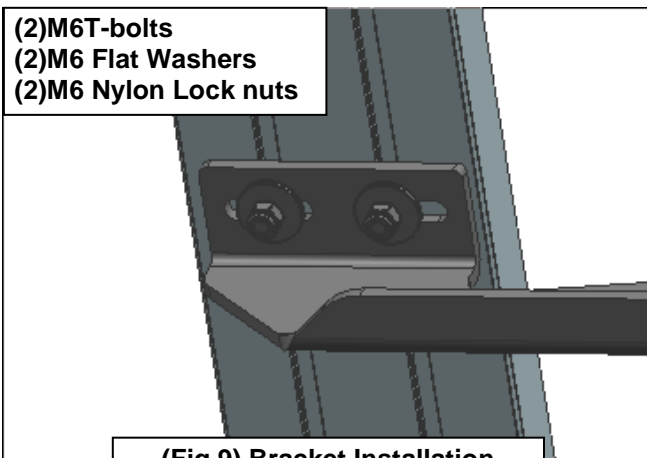
M12 Flat Washer
M12 Lock Washer
M12 Hex Nut

M10 Flat Washer
M10 Lock Washer
M10 Hex Nut

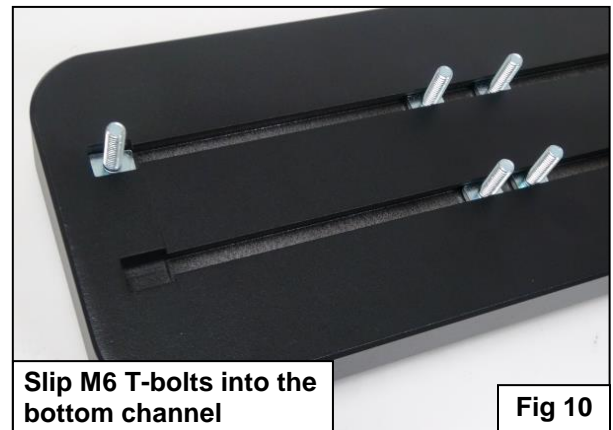


(Fig 8) Passenger side Mounting Bracket installed with factory tow hitch

(2)M6T-bolts
(2)M6 Flat Washers
(2)M6 Nylon Lock nuts



(Fig 9) Bracket Installation



Slip M6 T-bolts into the bottom channel

Fig 10