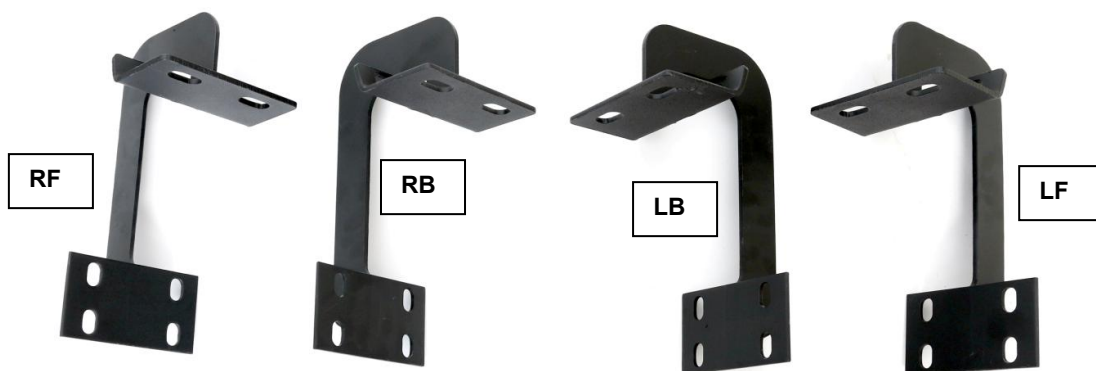


Installation Instruction

Part#: IB06EBA2A

Application: For FORD F150 REG CAB 09-11 PART

Item	Part Name	QTY	Item	Part Name	QTY
1	Driver/ Left Sidebar	1	9	M8X1.25-25mm Hex Head Bolts	8
2	Passenger/ Right Sidebar	1	10	9X28mm O.D.X3mm Flat Washers	8
3	Front Driver/Left Side Mounting Bracket (LF)	1	11	8.4X24mm O.D.X2mm Flat Washers	16
4	Rear Driver/Left Side Mounting Bracket (LR)	1	12	8mm Lock Washers	16
5	Front Passenger/right Side Mounting Bracket (RF)	1	13	8mm Nuts	8
6	Rear Passenger/right Side Mounting Bracket (RR)	1	14	M6 Square Hex Bolt	16
7	M8 Clip Nuts	8	15	M6 Flat Washers	16
8	M8X1.25-30mm Hex Head Bolts	8	16	M6 Nylon Lock Nuts	16



Step	Installation Instruction
------	--------------------------

PROCEDURE: REMOVE CONTENTS FROM BOX. VERIFY ALL PARTS ARE PRESENT. READ INSTALLATION INSTRUCTIONS CAREFULLY BEFORE STARTING INSTALLATION.

1	Starting on the driver side of the vehicle, locate the factory mounting holes in the side panel. Note: these holes may be covered with tape.
2	With nut towards the inside of the side panel, insert (2) Clip Nuts through each rectangular hole and orient them so that each nut aligns with factory round hole. (Fig 1).
3	Partially attach driver side Mounting Brackets to already inserted Clip Nuts using the included 10mm x 25mm Hex Head Bolts, 10mm Lock Washers, and 10mm Flat Washers, (Fig 2). NOTE: The cradle on the front Mounting Bracket should face to the rear and the cradle on the rear Mounting Brackets should face the front of the vehicle as pictured in Fig 3 & 4.
4	Align the bottom holes in the Mounting Brackets with the holes in the pinch weld and attach using the included (4) M6 Square Hex Bolt, (4) M6 Flat Washers and (4) M6 Nylon Lock Nuts, (Fig 4). Do not tighten at this time.
5	Level and adjust the Sidebar properly and tighten all hardware.
6	Repeat steps 2 -7 for passenger Sidebar.
7	Do periodic inspections to the installation to make sure all hardware is secure and tight.

The instruction here is for your reference only. We strongly recommend the professional installer for best result. We are not responsible for any damage caused by the installation. Thank you for choosing our product!

Installation Instruction

Part#: IB06EBA2A

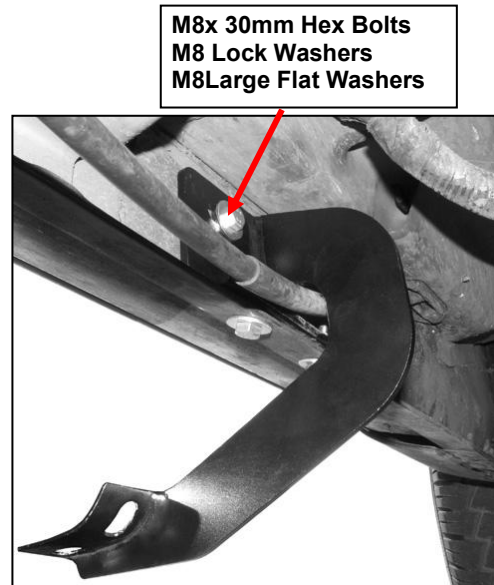
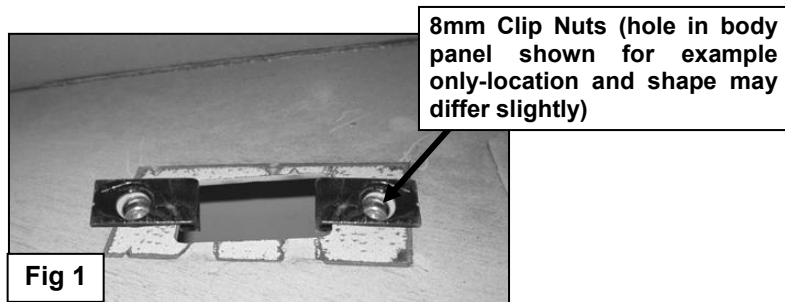
REV: 20150701

Application: For FORD F150 REG CAB 09-11 PART

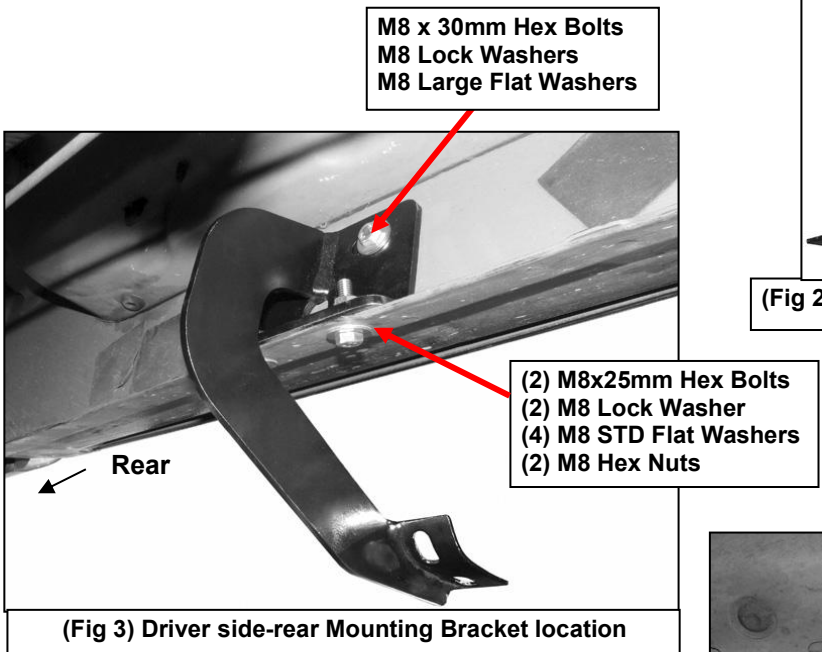
TO Protect your investment, wax this product after installing. Regular waxing is recommended to add a protective layer over the finish. Do not use any type of polish or wax that may contain abrasives that could damage the finish.

For Polish Surface: Aluminum polish may be used to polish small scratches and scuffs on the finish. Mild soap may be used also to clean the Sidebar.

For black finishes: Mild soap may be used also to clean the Sidebar.

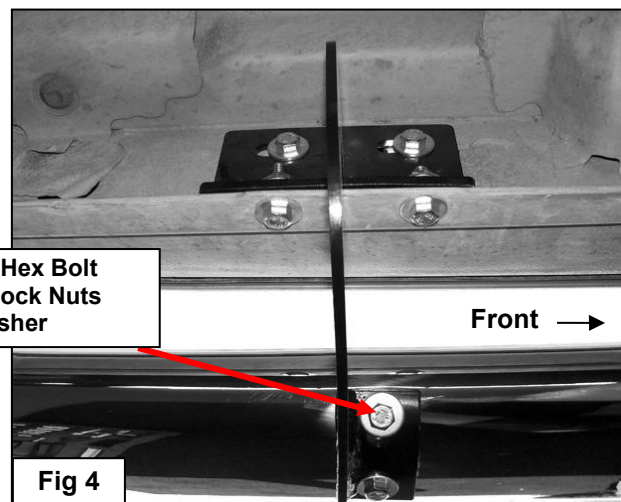


(Fig 2) Driver side-front Mounting Bracket location



(Fig 3) Driver side-rear Mounting Bracket location

***Pictures are for reference only, actual brackets & bars may be a little different ***



The instruction here is for your reference only. We strongly recommend the professional installer for best result. We are not responsible for any damage caused by the installation. Thank you for choosing our product!