

Installation Instructions for IB-F008

by APS Auto Parts Specialist Inc.

Application: FOR 1999-2003 Ford F-150/F-250LD Super Cab 4Dr. (Incl. 04 Heritage Model)
Estimated Time: 1 to 2 hours



Disclaimer: Instructions intended for persons aged 18+ please do not attempt without adult supervision. Instructions are not intended to replace professional installation. Damage from improper installation, misuse or modification to the product voids the manufacturer's warranty.

PARTS LIST:

Item	QTY	Description	Item	QTY	Description
#1	2	Running Board(use for left or right)	#7	8	M10 Lock Washers
#2	2	Front Mounting Bracket (angled)(DFM/PFM)	#8	8	10mm x 30mm OD x 2.5mm Flat Washers
#3	2	Rear Mounting Bracket (straight) (DRM/PRM)	#9	8	M10 Hex Nuts
#4	4	M10 x 35mm Large Double Bolt Plates	#10	8	M6-1.0mm x 20mm T-Bolts
#5	1	M10 x 35mm Small Double Bolt Plates (use for 3-door)	#11	8	6mm x 22mm OD x 2mm Flat Washers
#6	2	10mm Plastic Retainers (3-door only)	#12	8	M6 Nylon Lock Nuts



DFM/PFM

DRM/PRM

PROCEDURE:

- 1. REMOVE CONTENTS FROM BOX. VERIFY ALL PARTS ARE PRESENT. READ INSTRUCTIONS CAREFULLY BEFORE STARTING INSTALLATION.**
- Start installation from under the driver/left side of the vehicle. Remove the large oval rubber cover located on the inner side panel toward the front, **(Figure 1)**. Insert (1) Double Bolt Plate into the oval hole, **(Figure 2)**, and pull it back into position against the inner body panel, **(Figure 3)**.
- Select a front Mounting Bracket. **NOTE:** The Front Bracket mounting plate is angled, **(Figure 5)**, the mounting plate on the Rear Bracket is straight up and down, **(Figure 6)**. Hold the Bolt Plate in place and slide the Bracket over the threaded studs, **(Figure 7)**. Secure the Bracket to the Bolt Plate with the included (2) M10 Lock Washers, (2) M10 Flat Washers and (2) M10 Hex Nuts, **(Figure 7)**. Leave hardware loose at this time.
- Repeat **Steps 2 – 3** for driver side Rear Bracket installation. **NOTE:** A Narrow Double Bolt Plate has been included. On 3-door models, insert the Bolt Plate into the large, round hole and line up with the smaller round hole, **(Figures 4 & 7)**. Use the included 10mm Plastic Retainers to hold the Bolt Plate in position and secure the Bracket as previously described in **Step 2**.
- Select a Running Board. Slip (4) M6 T-Bolts into each bottom channel **(Figure 8)**. Carefully position the Running Board onto the Mounting Brackets. Attach the Running Board to the Mounting Brackets with (2) M6 T-bolts, (2) M6 flat washers and (2) M6 nylon lock nuts, **(Figure 9)**. Do not tighten hardware at this time
- Level and adjust the Running Board and tighten all hardware at this time.
- Repeat steps 2 – 6 for passenger Running Board.

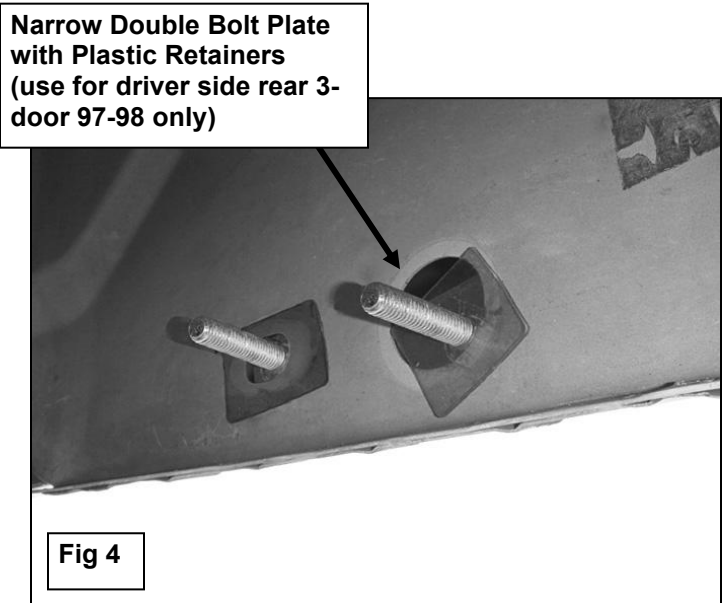
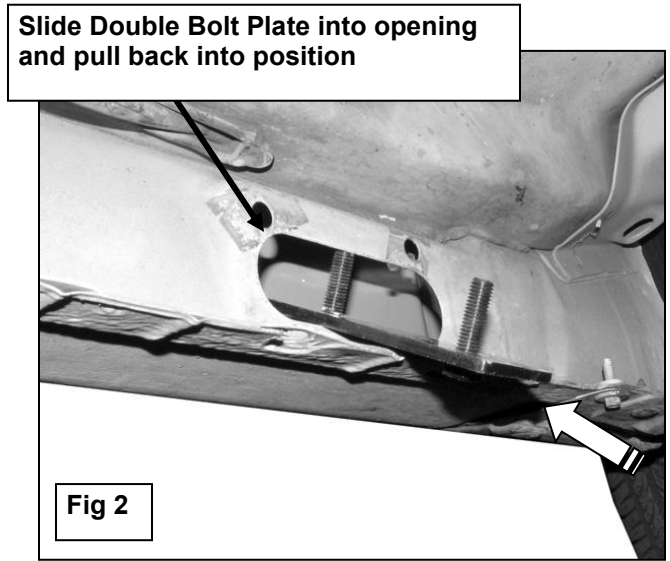
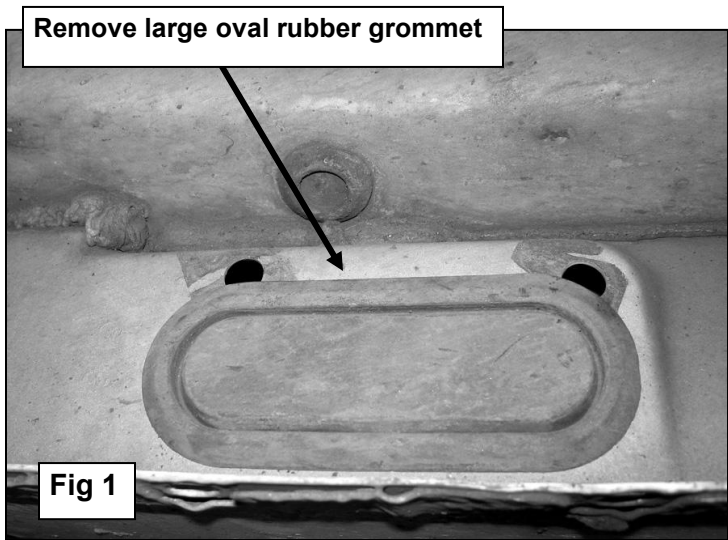
8. Do periodic inspections of the installation to make sure all hardware is secure and tight.

To protect your investment, wax this product after installing. Regular waxing is recommended to add a protective layer over the finish. Do not use any type of polish or wax that may contain abrasives that could damage the finish.

For Polished Finishes: Aluminum polish may be used to polish small scratches and scuffs on the finish. Mild soap may be used also to clean the Running Board.

For black finishes: Mild soap may be used to clean the Running Board.

Front Bolt Plate Installation Example

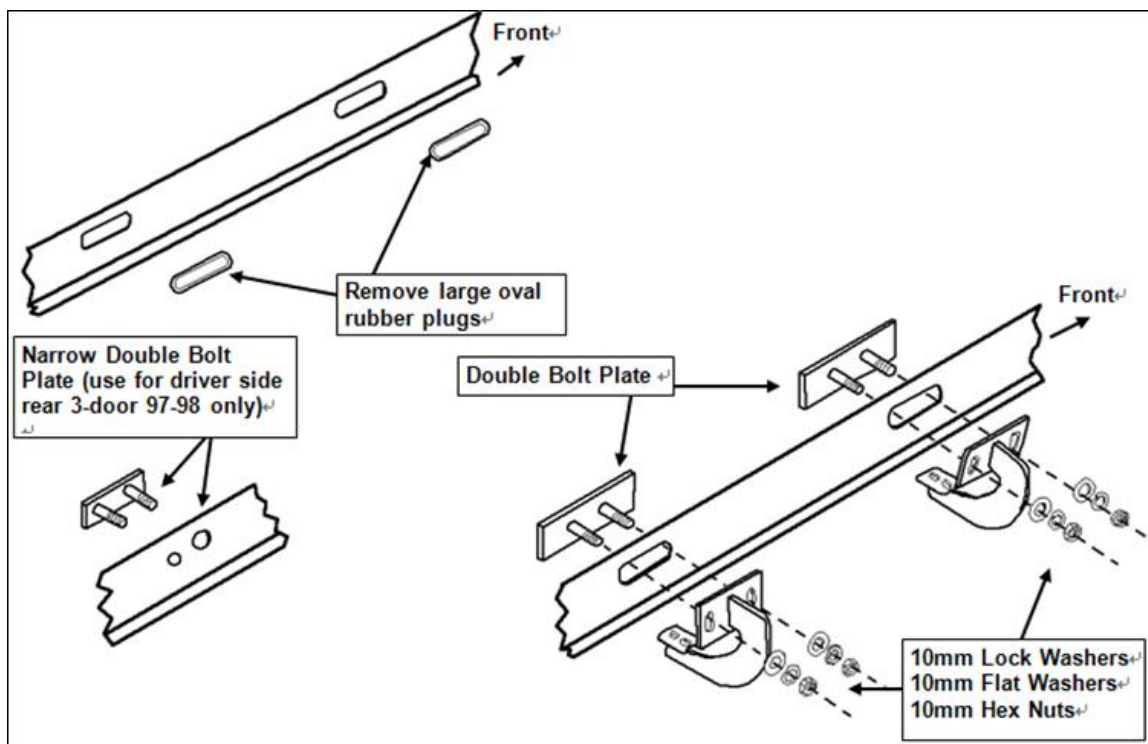




(Fig 5) front (angled) Bracket



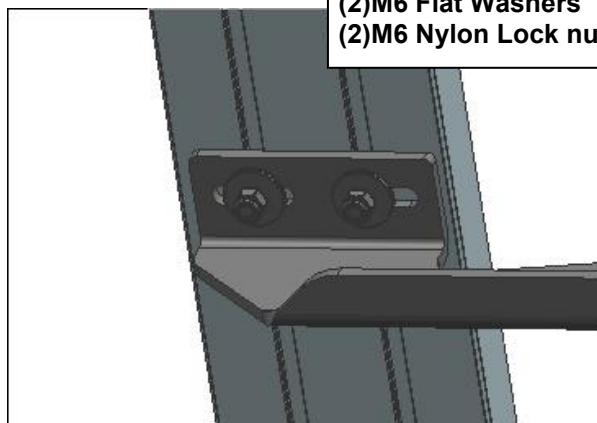
(Fig 6) rear (straight) Bracket



(Fig 7) Driver/Left Side Installation Illustrated



(Fig 8) Slip M6 T-bolts into the bottom channel



(Fig 9) Bracket Installation (example only)

- (2)M6 T-bolts
- (2)M6 Flat Washers
- (2)M6 Nylon Lock nuts