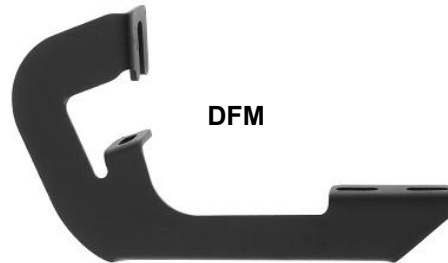


**PARTS LIST:**

Item	QTY	Description	Item	QTY	Description
#01	1	Driver Side Bar	#07	6	M8 Hex Nut
#02	1	Passenger Side Bar	#08	12	M6 Flat Washer
#03	6	L Mounting Bracket (DFM)	#09	12	M6 Nylon Lock Nut
#04	12	M8X1.25-30 Hex Bolt	#10	6	M8 Extruded U-Nut
#05	12	M6 Square Head Bolt	#11	12	M8 Lock Washer
#06	18	M8 Flat Washer			



**INSTALLATION INSTRUCTION:**

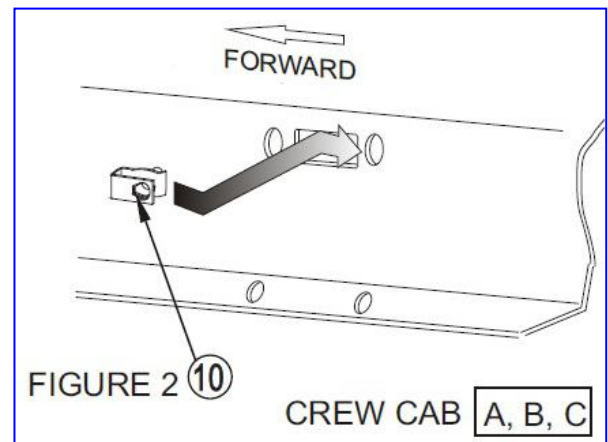
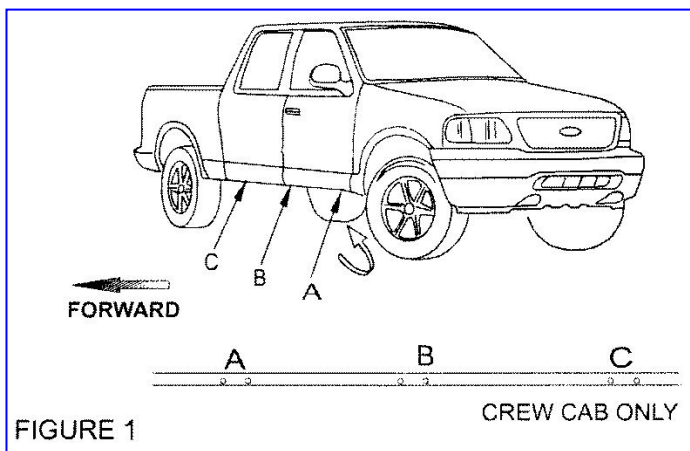
**REMOVE CONTENTS FROM BOX. VERIFY ALL PARTS ARE PRESENT. READ INSTRUCTIONS CAREFULLY BEFORE STARTING INSTALLATION.**

1. Remove contents from box and check for damage. Verify all parts are present. Read instructions completely before installing.
2. Locate mounting locations as shown on **Fig 1**.
3. Install u-nuts as shown. **SEE FIG 2**.
4. Attach mounting brackets as shown. Finger tighten. **SEE FIG 3**.
5. Insert square head bolts as shown.(3 per slot,6 per board),**SEE FIG 4**.
6. Attach board to brackets. Make sure board and brackets are properly aligned and tighten fasteners. **As shown on FIG 5**.

**To protect your investment**, wax this product after installing. Regular waxing is recommended to add a protective layer over the finish. Do not use any type of polish or wax that may contain abrasives that could damage the finish.

**For Polished Finishes:** Aluminum polish may be used to polish small scratches and scuffs on the finish. Mild soap may be used also to clean the Running Board.

**For black finishes:** Mild soap may be used to clean the Running Board



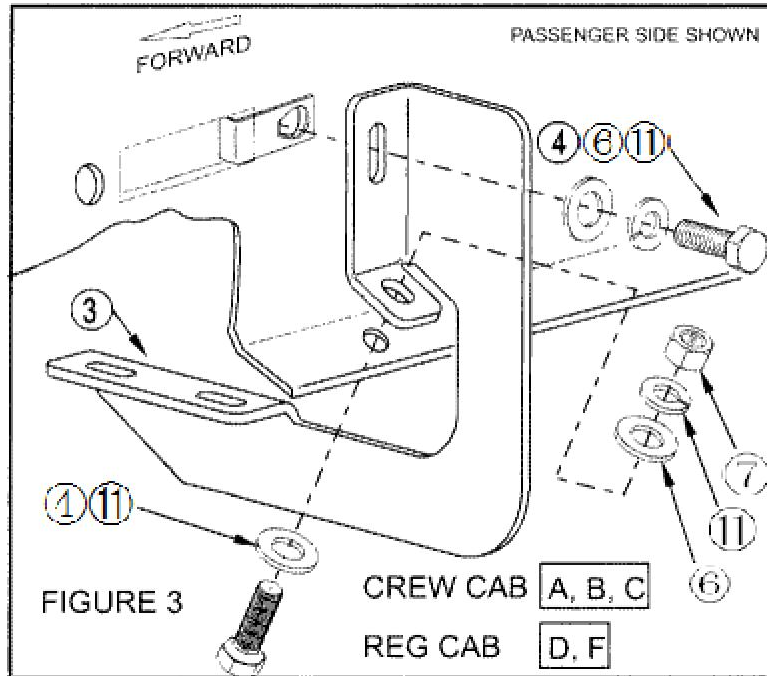


FIGURE 4 Slip M6 Square Head Bolts into channel

