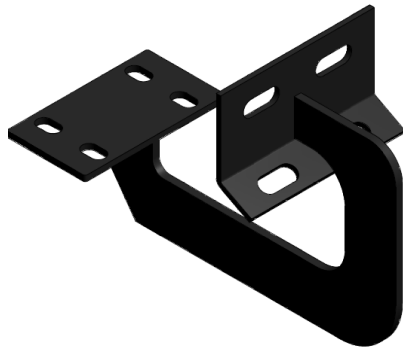


# Installation Instruction

**Part#: IB06DJD2B**

**Application: For 04-08 Ford F150 Reg Cab (Excl Heritage)**

Item	Description	QTY	Item	Description	
1	Driver/Left Sidebar	1	5	M8x1.25x30 Hex Bolt	
2	Passenger/Right Sidebar	1	6	M8 Flat Washer	40
3	Mounting Bracket	4	7	M8 Lock Washer	32
4	M8 Clip Nut	8	8	8mm Hex Nuts	8



Step	Installation Instruction
<b>REMOVE CONTENTS FROM BOX. VERIFY ALL PARTS ARE PRESENT. READ INSTRUCTIONS CAREFULLY BEFORE STARTING INSTALLATION.</b>	
1	Starting on the driver side of the vehicle, locate the (2) holes in the pinch weld to find the factory mounting holes in the inner side panel, <b>(Fig 1)</b> . <b>NOTE:</b> The inner holes may be covered with sealing tape or insulation. Slide the M8 Clip Nuts into the opening with the nut towards the inside. Line up the threaded nut on the clip with the round holes, <b>(Fig 1)</b> .
2	Partially attach the driver side Mounting Bracket to the Clip Nuts with the included (2) M8x30Hex Bolts, (2) M8 Lock Washers and (2) M8 Flat Washers, <b>(Fig 2)</b> . Depending on model and year, the brake cable may be run on the inside or outside of the Bracket. Do not tighten hardware at this time. <b>NOTE:</b> The Cradle on the Front Mounting Bracket should face to the rear of the vehicle.
3	Align the bottom holes in the front Mounting Bracket with the (2) holes in the pinch weld. Bolt the Bracket to the pinch weld using the included (2) M8x30Hex Bolts, (2) M8 Lock Washers, (4) M8 Flat Washers and (2) M8 Hex Nuts, <b>(Fig 2)</b> . <b>NOTE:</b> Insert the bolts up from the bottom of the pinch weld and through the Bracket.
4	Repeat <b>Steps 1–3</b> for Rear Mounting Bracket installation. <b>NOTE:</b> The cradle on the Rear Mounting Bracket should face the front of the vehicle, <b>(Fig 3 &amp; 4)</b> .
5	Carefully position the Sidebar onto the Mounting Brackets and attach it using the included (4) M8x25 Hex Bolts, (4) M8 Lock Washers and (4) M8 Flat Washers, <b>(Fig 4)</b> . Do not tighten hardware at this time.
6	Level and adjust the Sidebar properly and tighten all hardware.
7	Repeat <b>Steps 1– 6</b> for passenger Sidebar installation.
8	Do periodic inspections to the installation to make sure that all hardware is secure and tight.

The instruction here is for your reference only. We strongly recommend the professional installer for best result. We are not responsible for any damage caused by the installation. Thank you for choosing our product!

# Installation Instruction

Part#: IB06DJD2B

Application: For 04-08 Ford F150 Reg Cab (Excl Heritage)

**To protect your investment**, wax this product after installing. Regular waxing is recommended to add a protective layer over the finish. Do not use any type of polish or wax that may contain abrasives that could damage the finish.

**For Aluminum surface:** Aluminum polish may be used to polish small scratches and scuffs on the finish. Mild soap may be used also to clean the Sidebar.

**For Black Powder coated finishes:** Mild soap may be used to clean the Sidebar.

## Driver Side Installation Pictured

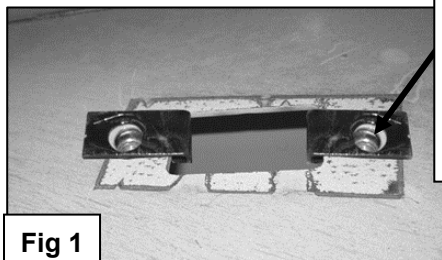
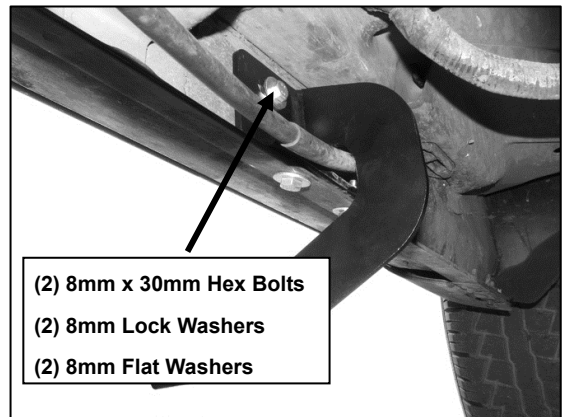
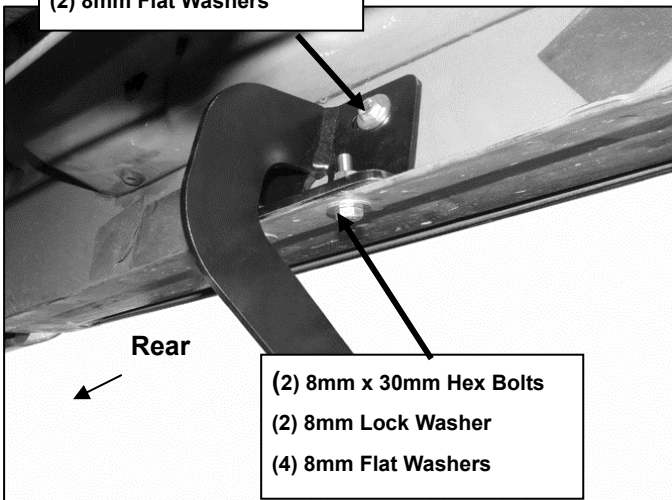


Fig 1

- (2) 8mm x 30mm Hex Bolts
- (2) 8mm Lock Washers
- (2) 8mm Flat Washers



(Fig 2) Driver side-front Mounting Bracket location



(Fig 3) Driver side-rear Mounting Bracket location

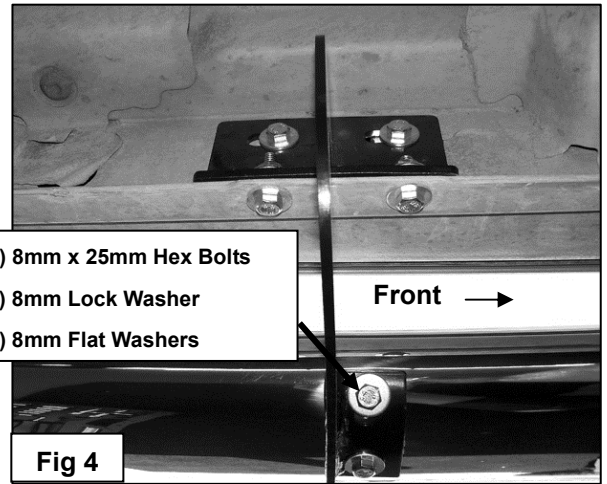


Fig 4

**\*Pictures are for reference only, actual bars & Brackets may be a little different.**

The instruction here is for your reference only. We strongly recommend the professional installer for best result. We are not responsible for any damage caused by the installation. Thank you for choosing our product!