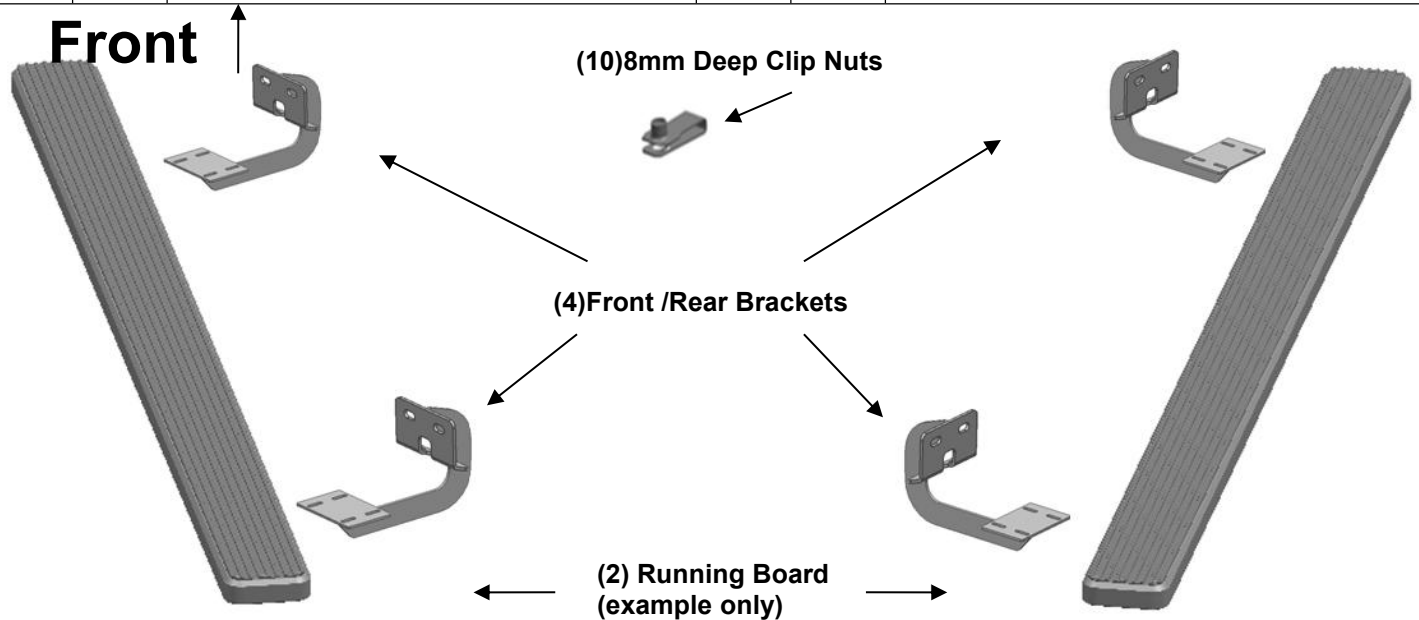


**PARTS LIST:**

| Item | QTY | Description                          | Item | QTY | Description                      |
|------|-----|--------------------------------------|------|-----|----------------------------------|
| #1   | 2   | Running Board(use for left or right) | #7   | 8   | 8mm Large Flat Washers           |
| #2   | 4   | Front/Rear Mounting Brackets         | #8   | 16  | 8mm Lock Washers                 |
| #3   | 8   | 8mm Deep Clip Nuts                   | #9   | 8   | 8mm Hex Nuts                     |
| #4   | 8   | 8-1.25mm x 30mm Hex Bolts            | #10  | 16  | 6-1.0mm x 20mm T-Bolts           |
| #5   | 8   | 8-1.25mm x 25mm Hex Bolts            | #11  | 16  | 6mm x 22mm OD x 2mm Flat Washers |
| #6   | 16  | 8mm Flat Washers                     | #12  | 16  | 6mm Lock Nuts                    |



**PROCEDURE:**

- REMOVE CONTENTS FROM BOX. VERIFY ALL PARTS ARE PRESENT. READ INSTRUCTIONS CAREFULLY BEFORE STARTING INSTALLATION.**
- Starting on the driver side of the vehicle, locate the (2) holes in the bottom of the body panel, (pinch weld), toward the front tire, **(Figure 1)**. Next locate the rectangular opening and (2) small holes in the inner body panel directly above the holes in the pinch weld, **(Figures 1 & 2)**. **NOTE:** The holes in the inner panel may be covered with sealing tape or insulation.
- Slide (1) 8mm Clip Nut into the rectangular opening with the nut towards the inside. Line up the threaded nut on the clip with the round hole, **(Figure 2)**. Repeat to install the 2nd 8mm Clip Nut in remaining hole location.
- Select the front Bracket, Attach the Bracket to the (2) Clip Nuts with the included (2) 8mm x 30mm Hex Bolts, (2) 8mm Lock Washers and (2) 8mm x 28mm Large Flat Washers, **(Figures 3 & 4)**. Depending on model and year, the brake cable may be run on the inside or outside of the Bracket. Do not tighten hardware at this time. **NOTE:** The cradle on the front Bracket should face to the rear of the vehicle.
- Align the bottom holes in the front Bracket with the (2) holes in the pinch weld. Bolt the Bracket to the pinch weld using the included (2) 8mm x 25mm Hex Bolts, (4) 8mm STD Flat Washers, (2) 8mm Lock Washers and (2) 8mm Hex Nuts, **(Figures 3 & 4)**. **NOTE:** Insert the bolts up from the bottom of the pinch weld and through the Bracket.
- Continue along the cab to the rear mounting location. Locate the last (2) mounting holes in the pinch weld towards the back of the cab, **(Figures 1 )**. Repeat **Steps 2—5** for rear mounting Bracket installation. **NOTE:** The cradle on the rear Bracket should face the front of the vehicle.
- Select a Running Board. Slip(8) 6mm T-bolts into each bottom channel**(Figure 5)**. Carefully position the Running Board onto the (2) Mounting Brackets. **IMPORTANT:** Do not slide, (front to back), the Running Board on the Brackets or damage to the finish may result. Attach the Running Board to the

Mounting Brackets with (4) 6mm T-bolts, (4) 6mm flat washers and (4) 6mm lock nuts (**Figures 6**). Do not tighten at this time.

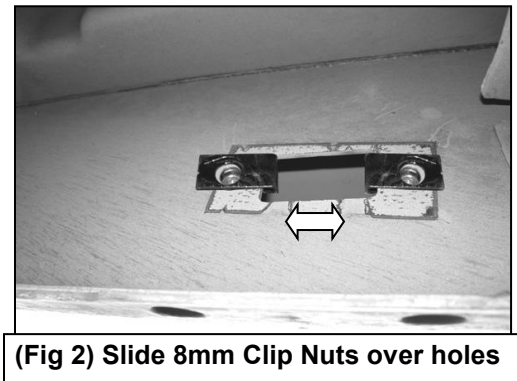
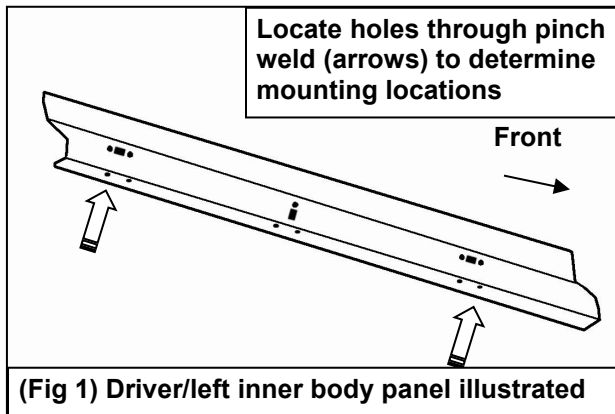
8. Level and adjust the Running Board and fully tighten all hardware.
9. Repeat **Steps 2—8** for passenger Running Board installation.
10. Do periodic inspections to the installation to make sure that all hardware is secure and tight.

**To protect your investment**, wax this product after installing. Regular waxing is recommended to add a protective layer over the finish. Do not use any type of polish or wax that may contain abrasives that could damage the finish.

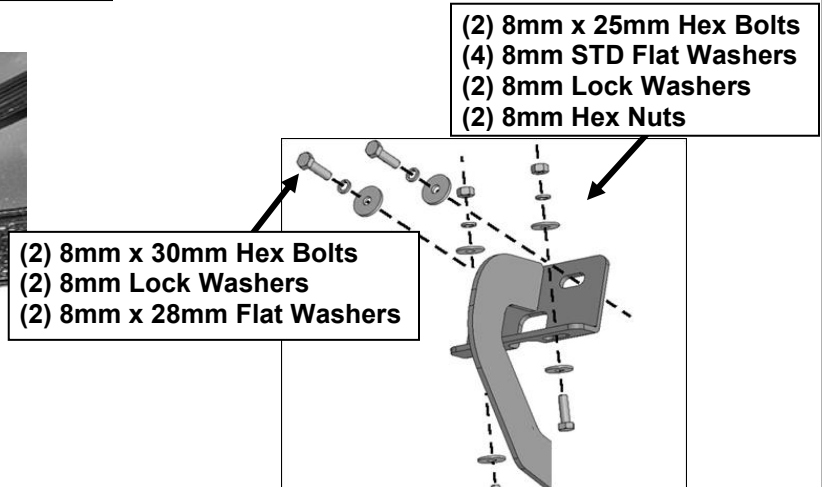
**For Polished Finishes:** Aluminum polish may be used to polish small scratches and scuffs on the finish. Mild soap may be used also to clean the Running Board.

**For Black Finishes:** Mild soap may be used to clean the Running Board.

### Driver Side Installation Pictured



(Fig 3) Driver/left front mounting Bracket



(Fig 4) Driver/left front mounting Bracket



(4) 6mm T-bolts  
(4) 6mm Flat Washers  
(4) 6mm Lock nuts

