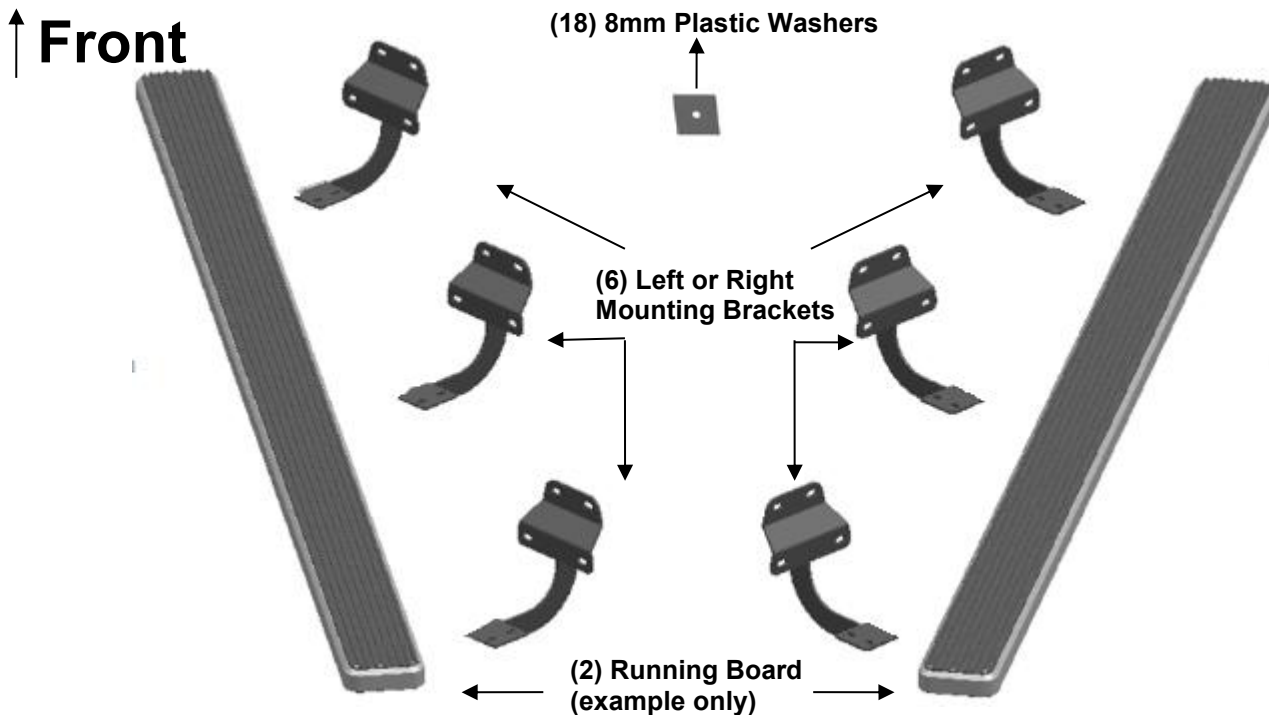


**PARTS LIST:**

| Item | QTY | Description                          | Item | QTY | Description                      |
|------|-----|--------------------------------------|------|-----|----------------------------------|
| #1   | 2   | Running Board(use for left or right) | #5   | 18  | 8-1.25mm Nylon Lock Nuts         |
| #2   | 6   | Brackets (use for left or right)     | #6   | 12  | 6-1.0mm x 20mm T-Bolts           |
| #3   | 18  | 8mm Plastic Washers                  | #7   | 12  | 6mm x 22mm OD x 2mm Flat Washers |
| #4   | 18  | 8mm x 24mm OD x 2mm Washers          | #8   | 12  | 6mm Lock Nuts                    |



**PROCEDURE:**

**REMOVE CONTENTS FROM BOX. VERIFY ALL PARTS ARE PRESENT. READ INSTRUCTIONS CAREFULLY BEFORE STARTING INSTALLATION. ASSISTANCE IS RECOMMENDED.**

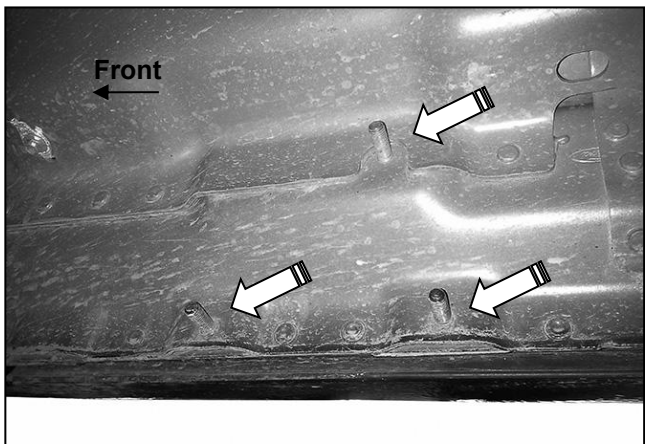
1. Start the installation under the passenger side of the vehicle. Locate the front factory running board mounting location along the inner side of the body, **(Figure 1)**.
2. Slide (1) Plastic Washer over each factory mounting stud in the body panel, **(Figures 2 & 3)**.  
**IMPORTANT:** The Plastic Washers are designed to prevent corrosion between the aluminum body panel and the steel mounting brackets. **Do not install the Brackets without the Plastic Washers.**
3. Select (1) Mounting Bracket. **NOTE:** All (6) Brackets are universal and will fit left or right side. Attach the Mounting Bracket to the (3) factory studs with (3) 8mm Flat Washers and (3) 8mm Nylon Lock Nuts, **(Figure 4)**. Snug but do not fully tighten the hardware.
4. Repeat **Steps 1—3** to install the (2) remaining center and rear passenger side Brackets.
5. Select the Running Board. Slip (12) 6mm T-Bolts into each bottom channel **(Figure 5)**. Carefully position the Running Board onto the (3) Mounting Brackets. **IMPORTANT:** Do not slide the Running Board on the Brackets or damage to the finish may result. Attach the Running Board to the Mounting Brackets with (2) 6mm T-bolts, (2) 6mm flat washers and (2) 6mm lock nuts, **(Figure 6)**. Do not tighten hardware..
6. Level and adjust the Running Board and tighten all hardware.
7. Repeat **Steps 1—6** to install the driver Side.
8. Do periodic inspections to the installation to make sure that all hardware is secure and tight.

**To protect your investment**, wax this product after installing. Regular waxing is recommended to add a protective layer over the finish. Do not use any type of polish or wax that may contain abrasives that could damage the finish.

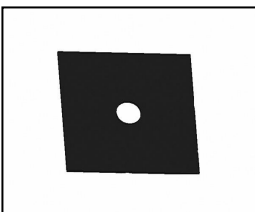
**For Polished Finishes:** Aluminum polish may be used to polish small scratches and scuffs on the finish. Mild soap may be used also to clean the Running Board.

**For black finishes:** Mild soap may be used to clean the Running Board.

**Passenger/right Side Installation Pictured**

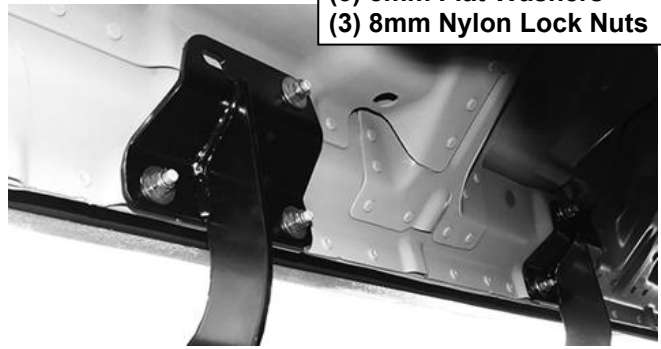


**(Fig 1) Passenger side front mounting location**

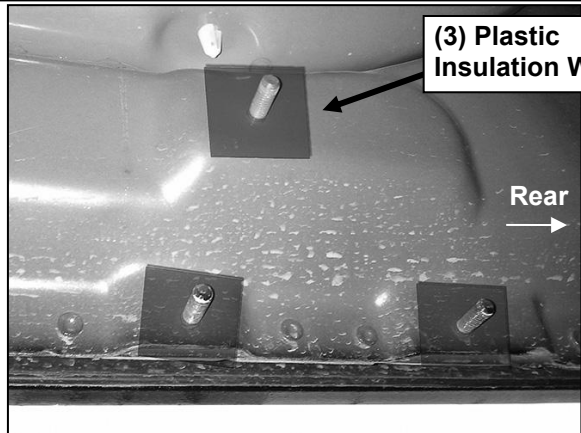


**(Fig 2) Plastic Insulation Washer**

- (3) 8mm Plastic Washers
- (3) 8mm Flat Washers
- (3) 8mm Nylon Lock Nuts



**(Fig 4) Passenger/right front and center installation**



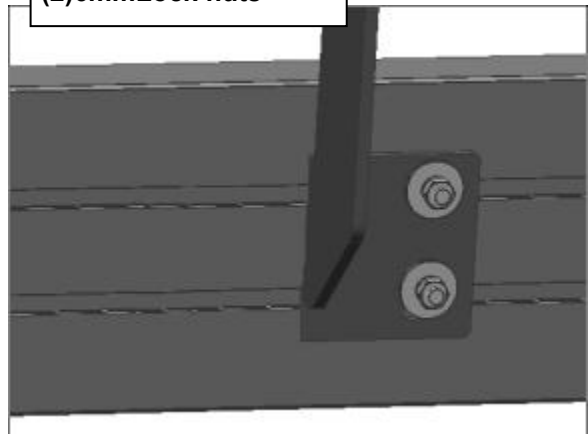
**(3) Plastic Insulation Washers**

**(Fig 3) Thread Plastic Washers onto all mounting studs. Passenger side rear mounting location pictured**



**(Fig 5) Slip 6mm T-bolts into the bottom channel**

- (2)6mmT-bolts
- (2)6mm Flat Washers
- (2)6mmLock nuts



**(Fig 6) Bracket installed**



**Complete Installation**