

# Installation Instructions for IB06EAC4-C

by APS Auto Parts Specialist Inc.

Application: For 2003-2017 Ford Expedition (Excl. EL model)  
Estimated Time: 1 to 2 hours



Disclaimer: Instructions intended for persons aged 18+ please do not attempt without adult supervision. Instructions are not intended to replace professional installation. Damage from improper installation, misuse or modification to the product voids the manufacturer's warranty.

**PARTS LIST:**

Item	QTY	Description	Item	QTY	Description
#01 #02	2	STEP BOARD, PASSENGER (1) AND DRIVER (2)	#08	6	ST8x25 Self Tapping Screw
#03	2	Front Mounting Bracket (DFM/PFM)	#09	18	M8 Flat Washers
#04	2	Passenger Center/Rear Mounting Bracket (PCM/PRM)	#10	12	M8 Lock Washers
#05	2	Driver Center/Rear Mounting Bracket (DCM/DRM)	#11	12	M6 Square Head Bolts
#06	12	M8X25mm Hex Bolts	#12	12	M6 Nylon Lock Nuts
#07	6	M8 Hex Nuts	#13	12	M6 Flat Washers



**DCM/DRM**



**DFM/PFM**



**PCM/PRM**

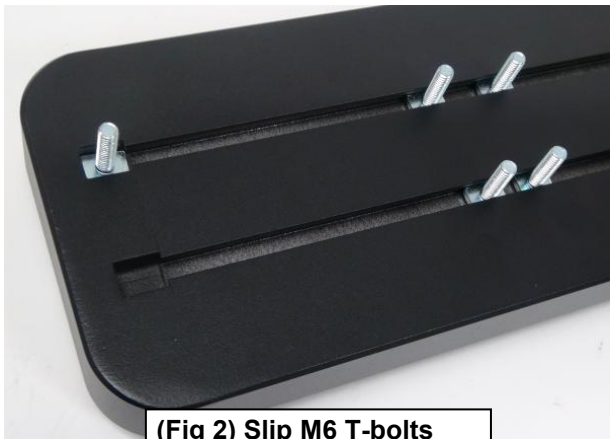
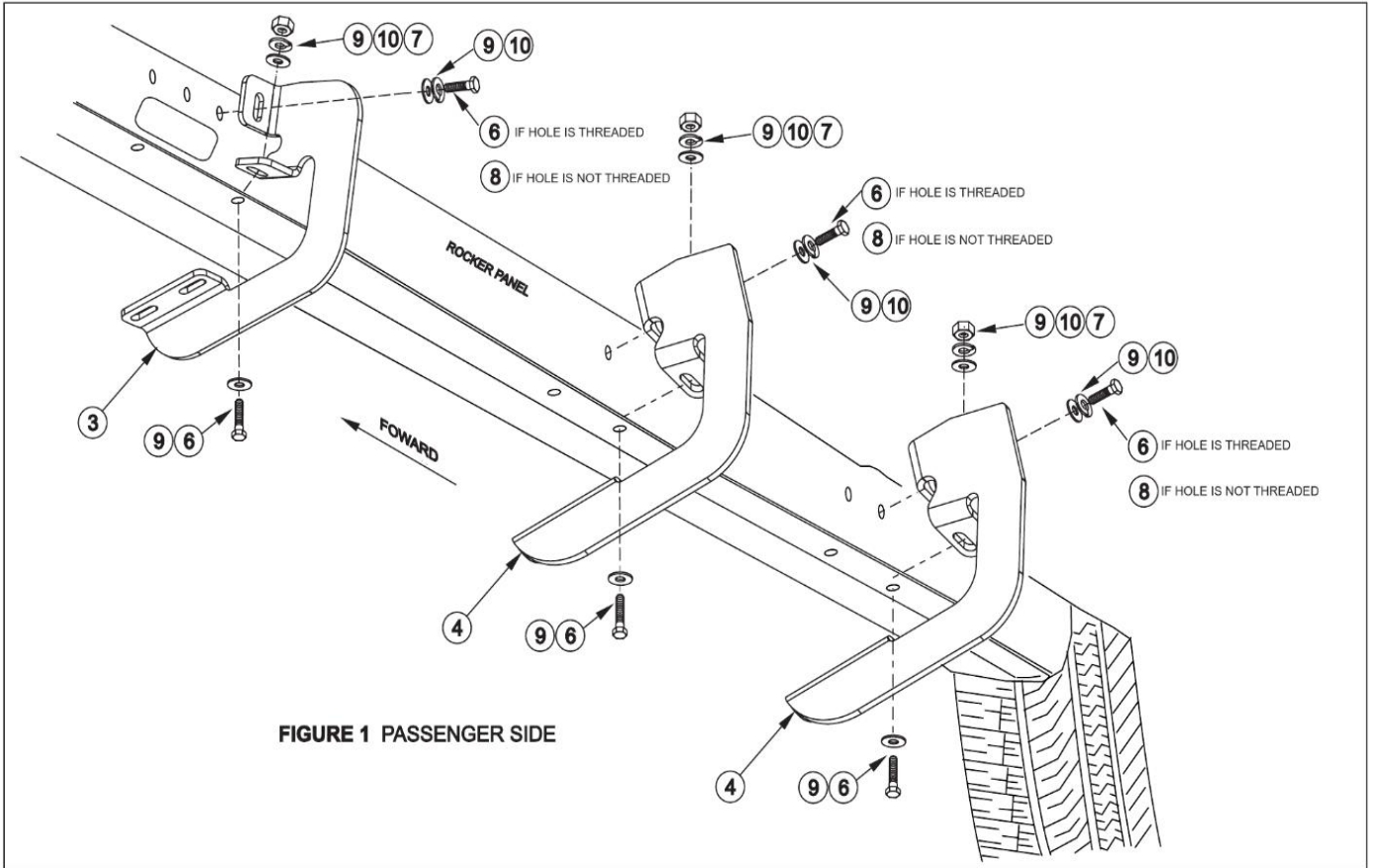
**INSTALLATION INSTRUCTION:**

1. Remove contents from box and check for damage. Verify all parts are present. Read instructions completely before beginning.
2. Remove any tape on the inside of rocker panel that covers the mounting holes. **NOTE:** M8 self tapping bolts replace one 8mm bolt per bracket if the factory holes are not tapped for 8mm bolts.
3. Attach brackets to underside of body panel as shown. Leave loose. **SEE FIGURE 1.**
4. Select a Running Board. Slip (4)M6 T-bolts into each bottom channel(**Figure 2**). Carefully position the Running Board onto the (3) Mounting Brackets. **IMPORTANT:** Do not slide, (front to back), the Running Board on the Brackets or damage to the finish may result. Attach the Running Board to the Mounting Brackets with(2) M6 T-bolts,(2)M6 flat washers and (2)M6 nylon lock nuts (**Figures 3**). Do not tighten at this time.
5. Level and adjust the Running Board and fully tighten all hardware.
6. Repeat **Steps 2—5** for passenger Running Board installation.
7. Do periodic inspections to the installation to make sure that all hardware is secure and tight.

**To protect your investment**, wax this product after installing. Regular waxing is recommended to add a protective layer over the finish. Do not use any type of polish or wax that may contain abrasives that could damage the finish.

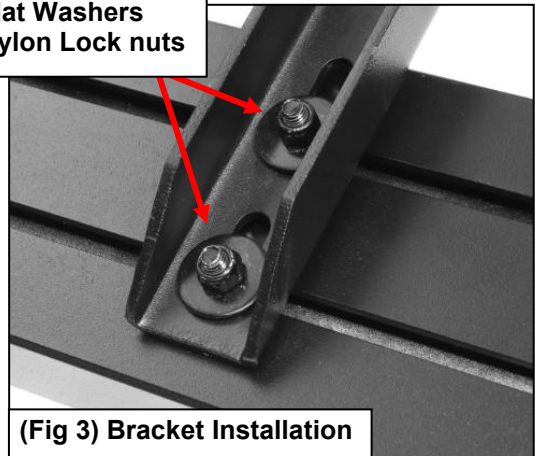
**For Polished Finishes:** Aluminum polish may be used to polish small scratches and scuffs on the finish. Mild soap may be used also to clean the Running Board.

**For black finishes:** Mild soap may be used to clean the Running Board.



(Fig 2) Slip M6 T-bolts into the bottom channel

- (2)M6 T-bolts
- (2)M6 Flat Washers
- (2)M6 Nylon Lock nuts



(Fig 3) Bracket Installation